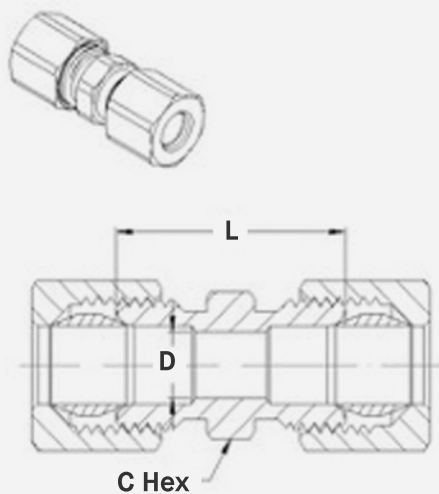


OD Brass Compression Union

(Lead Free)

FEATURES

- **Body and Sleeve** – Made from low lead, environmentally-friendly JIS 6802 brass for increased corrosion resistance.
- **Nut** - Made from RoHs compliant low lead JIS C3604 brass for safe and effective use on commercial and residential jobs.



SKU	Tube OD	C Hex	D	L
BCU025	1/4"	0.437"	0.217"	0.776"
BCU038	3/8"	0.561"	0.315"	0.965"
BCU038-025	3/8" x 1/4"	0.561"	0.185"	0.906"
BCU050-038	1/2" x 3/8"	0.689"	0.346"	1.043"
BCU058	5/8"	0.807"	0.591"	1.122"