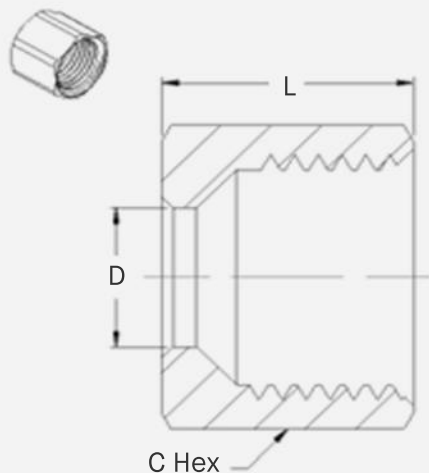


# Compression Nut



## FEATURES

- **Full-Compliant** - Made with corrosive-resistant, environmentally-friendly, low lead JIS 6802 brass for safe use on commercial and residential jobs
- **Chrome Plated** - Fortified with chrome plating for increased durability and visibility



| SKU        | Tube OD | C Hex | D     | L     |
|------------|---------|-------|-------|-------|
| BCN025     | 1/4"    | .500" | .255" | .441" |
| BCN038-CR* | 3/8"    | .626" | .380" | .469" |