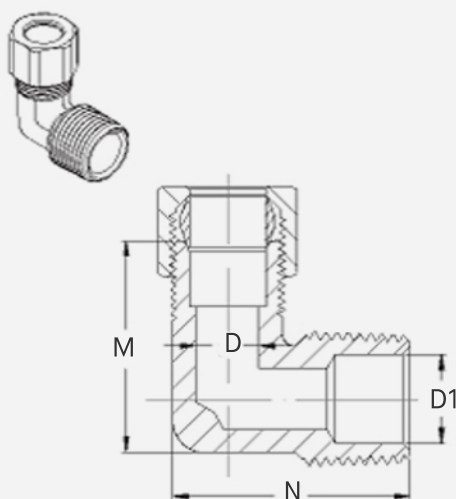


Compression x MIP Elbow

FEATURES

- **Body and Sleeve** – Made from low lead, environmentally-friendly JIS 6802 brass for increased corrosive-resistance
- **Nut** - Made from RoHs compliant low lead JIS C3604 brass for safe and effective use on commercial and residential jobs



SKU	Tube OD	Male Pipe Thread	D	D1	M	N
BCME025-018	1/4"	1/8"	.189"	.220"	.80"	.93"
BCME038	3/8"	3/8"	.315"	.315"	1.08"	1.18"
BCME038-050	3/8"	1/2"	.378"	.378"	1.16"	1.38"