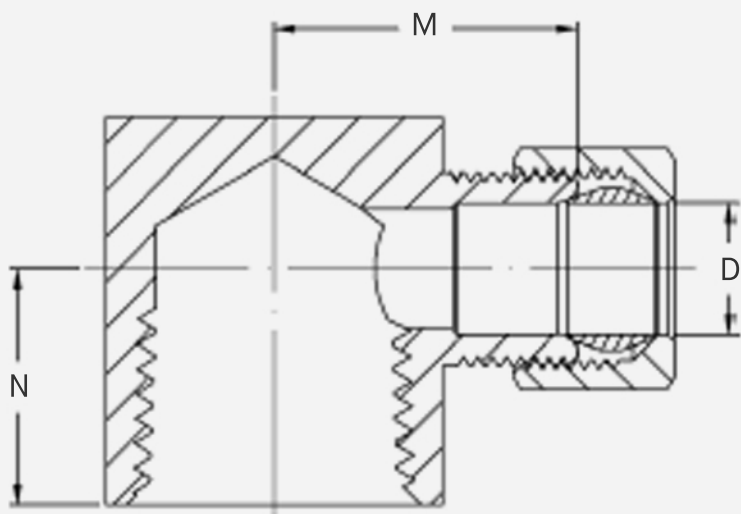


3/8" OD x 1/2" FIP Brass Compression Elbow

Lead Free

FEATURES

- **Brass Construction** – Brass alloy C3604 is strong and corrosion resistant for long-lasting, reliable performance in plumbing applications.
- **Connection Types** - Compression x FIP Elblow



SKU	D	M	N
BCFE038-050	0.35"	0.89"	0.67"