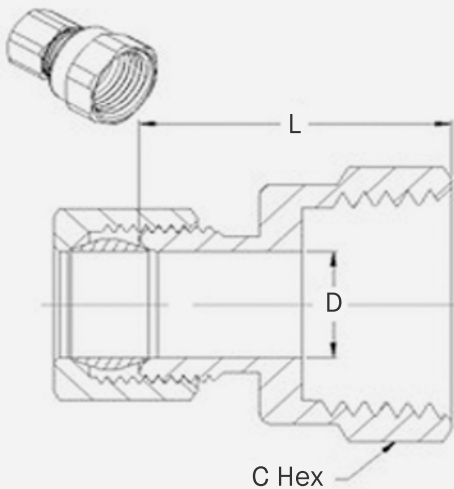


# Compression x FIP Connectors

## FEATURES

- **Body and Sleeve** – Made from low lead, environmentally-friendly JIS 6802 brass for increased corrosive-resistance
- **Nut** - Made from RoHs compliant low lead JIS C3604 brass for safe and effective use on commercial and residential jobs



SKU	Tube OD	Female Pipe Thread	C Hex	D	L
BCF038	3/8"	3/8"	.807"	.346"	1.004"
BCF038-050	3/8"	1/2"	.898"	.380"	1.024"
BCF078-075	7/8"	3/4"	1.126"	.787"	1.220"