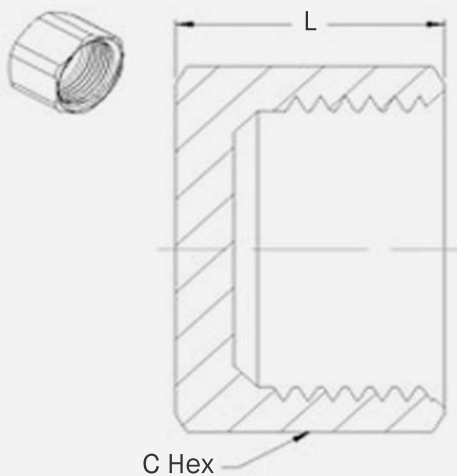


Compression Cap

FEATURES

- **Built to Last** - Made from low lead, environmentally-friendly brass for increased corrosive-resistance
- **Fully-Compliant** - JIS 6802 Brass is RoHS certified for safe and effective use on commercial and residential jobs



SKU	Tube OD	C Hex	L
BCCP025	1/4"	.500"	.413"
BCCP038	3/8"	.626"	.453"
BCCP050	1/2"	.768"	.559"