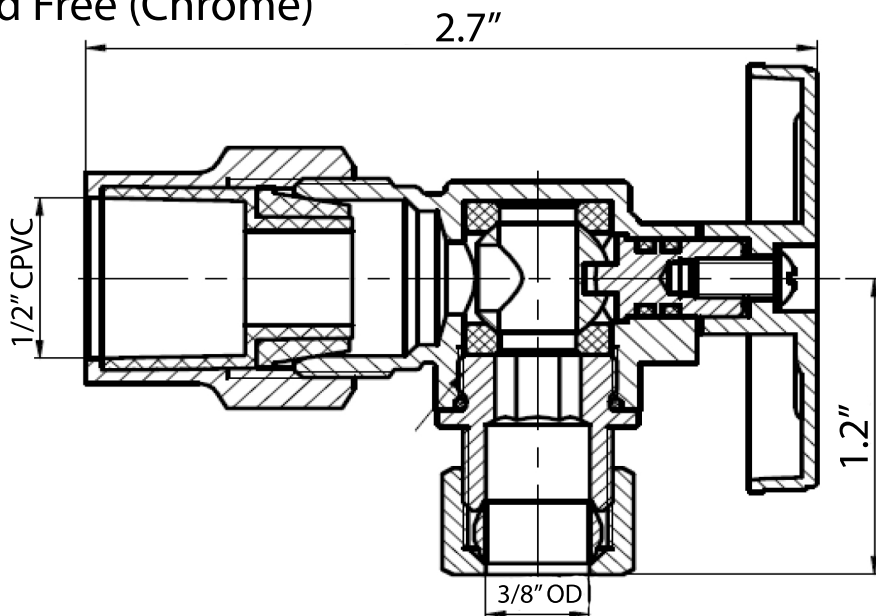


# Bluefin

Sku: ASQ050PVC-038CS

## 1/2" CPVC x 3/8" OD Comp 1/4 Turn Angle Stop Valve

Lead Free (Chrome)



**Inlet Type:** 1/2" CPVC

**Outlet Type:** 3/8" OD Compression

**Type:** 1/4 Turn

**Material:** All brass except zinc handle; One-piece brass body

**Operating temperature:** 40°- 180° F

**Pressure:** 125 PSI maximum

100% Leak tested

*For use in potable water distribution systems in accessible locations.*

