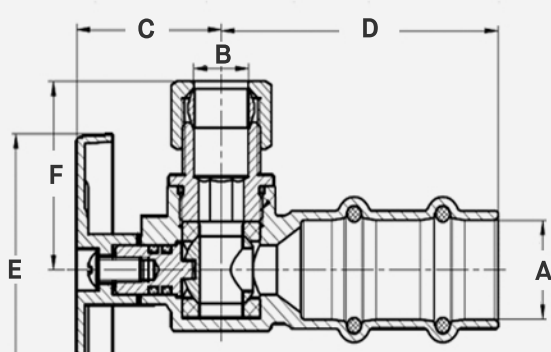


# 1/2" Press x 3/8" OD Compression Quarter Turn Angle Stop Valve

Lead Free (Chrome Plated)

## FEATURES

- **One-piece Brass Body** – Protects the stop valve from rupturing.
- **100% Leak Tested** - to ensure long-term integrity.
- **Built for Versatility** - Can withstand temperatures from -40°F to 180°F.
- **High Pressure Tolerance** - Able to withstand a maximum working pressure of 125psi.
- **Zinc Handle** – Reduces wear on brass stem over time.



SKU	A	B	C	D	E	F
ASQ050PR-038CS	1/2" Press	3/8" OD Compression	1.03"	1.97"	1.73"	1.20"