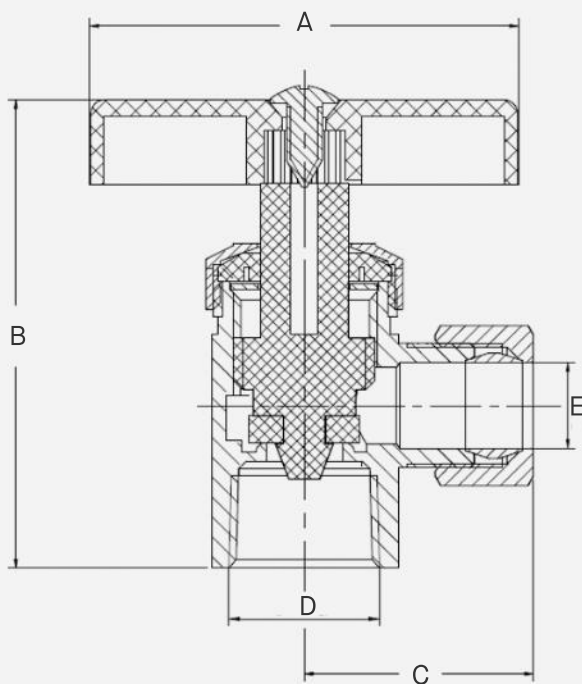


3/8" FIP x 3/8" OD Compression Multi-Turn Angle Stop Valve

Lead Free (Chrome)

FEATURES

- **Lead Free** – For safe and effective use in accessible potable water systems
- **One-piece Brass Body** – Protects the stop valve from rupturing
- **Multi-Turn Stop** – Prevents accidental shut-off
- **POM Stem** – Allows for smooth, low-friction operation
- **ABS Handle** – Adds heat, chemical, and abrasion resistance
- **Built for Versatility** – Able to withstand temperatures from 40° F to 140° F
- **High Pressure Tolerance** - Able to withstand a maximum working pressure of 125 PSI
- **100% Leak Tested** - to ensure long-term integrity



SKU	A	B	C	D	E
ASMF038	1.90"	2.07"	1.00"	3/8" FIP	3/8" OD