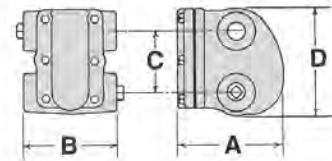


# Barnes & Jones Float and Thermostatic Traps

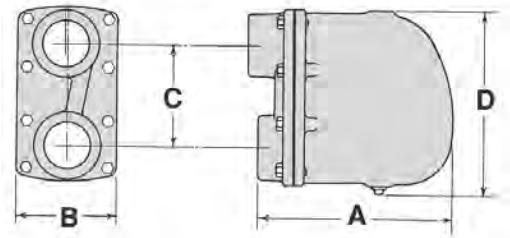
Complete F&T Traps				Related Repair Parts		
Model No.	Pipe Size	Max. Press. PSIG	ORDER NUMBER	†Head Assembly *Repair Kit	Air Vent Only	Cover Gasket Only
FT2015-3	3/4"	15	BC2000	†BD2200	BD1023	HL1574
FT2015-4	1"		BC2005	†BD2200	BD1023	HL1574
FT2015-5	1-1/4"		BC2010	†BD2210	BD1023	HL1574
FT2015-6	1-1/2"		BC2015	†BD2215	BD1023	HL1572
FT2015-8	2"		BC2020	*BD2220	BD1023	HL1573
FT2030-3	3/4"	30	BC2025	†BD2225	BD1023	HL1574
FT2030-4	1"		BC2030	†BD2230	BD1023	HL1574
FT2030-5	1-1/4"		BC2035	†BD2235	BD1023	HL1574
FT2030-6	1-1/2"		BC2040	†BD2240	BD1023	HL1572
FT2030-8	2"		BC2045	*BD2245	BD1023	HL1573
FT2075-3	3/4"	75	BC2050	†BD2250	BD1023A	HL1574
FT2075-4	1"		BC2055	†BD2255	BD1023A	HL1574
FT2075-5	1-1/4"		BC2060	†BD2260	BD1023A	HL1574
FT2075-6	1-1/2"		BC2065	†BD2265	BD1023A	HL1572
FT2075-8	2"		BC2070	*BD2270	BD1023A	HL1573
FT2125-3	3/4"	125	BC2075	†BD2275	BD1023A	HL1574
FT2125-4	1"		BC2080	†BD2280	BD1023A	HL1574
FT2125-5	1-1/4"		BC2085	†BD2285	BD1023A	HL1574
FT2125-6	1-1/2"		BC2090	†BD2290	BD1023A	HL1572
FT2125-8	2"		BC2095	*BD2295	BD1023A	HL1573



3/4" to 1 1/2" Dimensions



2" Dimensions



\*Repair Kit includes all the internal parts (air vent, valve mechanism, float and cover gasket) boxed and ready for on-the-job assembly. †Head Assembly has all the above parts pre-assembled onto a new trap cover — Take off the old cover, put on the new one — Easy!

Pipe Size	Model No.	Trap Capacities, pounds per hour								Dimensions			
		Pressure Differential, lbs./psig								A	B	C	D
		2	5	15	30	50	75	100	125				
3/4 & 1"	FT2015-3,4	683	824	1129	—	—	—	—	—	5-11/16	5	3-5/16	5-5/8
1 1/4"	FT2015-5	1302	1722	2457	—	—	—	—	—	6-1/8	5-1/2	3	5-3/8
1 1/2"	FT2015-6	3465	5250	7980	—	—	—	—	—	8-1/4	6	3	8-1/4
2"	FT2015-8	4883	7245	11445	—	—	—	—	—	10	4-7/8	4-7/8	9-1/4
3/4 & 1"	FT2030-3,4	683	824	1129	1439	—	—	—	—	5-11/16	5	3-5/16	5-5/8
1 1/4"	FT2030-5	956	1260	1764	2100	—	—	—	—	6-1/8	5-1/2	3	5-3/8
1 1/2"	FT2030-6	2415	3570	5775	7350	—	—	—	—	8-1/4	6	3	8-1/4
2"	FT2030-8	3570	5460	8190	10500	—	—	—	—	10	4-7/8	4-7/8	9-1/4
3/4 & 1"	FT2075-3,4	383	546	835	1019	1292	1523	—	—	5-11/16	5	3-5/16	5-5/8
1 1/4"	FT2075-5	956	1397	2258	2940	3465	3990	—	—	8-1/4	6	3	8-1/4
1 1/2"	FT2075-6	1365	1995	3203	4200	4988	5670	—	—	8-1/4	6	3	8-1/4
2"	FT2075-8	2100	3255	4987	6090	7140	8085	—	—	10	4-7/8	4-7/8	9-1/4
3/4 & 1"	FT20125-3,4	242	347	525	698	872	1019	1166	1249	5-11/16	5	3-5/16	5-5/8
1 1/4"	FT20125-5	662	956	1523	1995	2363	2783	3098	3308	8-1/4	6	3	8-1/4
1 1/2"	FT20125-6	935	1365	2153	2835	3360	3990	4410	4725	8-1/4	6	3	8-1/4
2"	FT20125-8	1286	2048	3150	3990	4850	5775	6405	6930	10	4-7/8	4-7/8	9-1/4

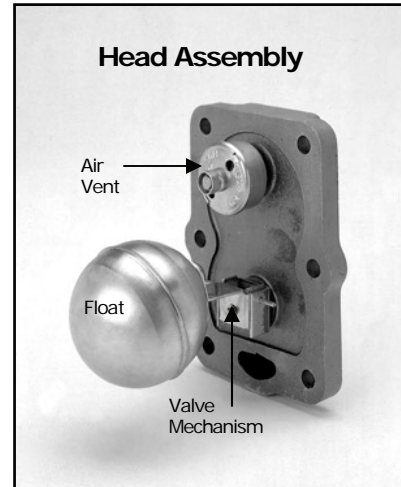
# Pre-Assembled Float & Thermostatic Trap Kits

## Parts Pre-Assembled on Cover

Get the job done in minutes!

Almost anyone can repair any brand of Float & Thermostatic trap using these **easy-to-install** pre-assembled head assemblies or repair kits boxed for easy on-the-job assembly. Manufactured by Barnes & Jones, the leading source for replacement steam trap components.

- All the parts you need, including the air vent, cover gasket, internal mechanism, seat and stainless steel float, **already assembled** on a new cover, or repair parts boxed for easy on-the-job assembly.
- All you need to do is unbolt the old cover and bolt on the new pre-assembled head mechanism. Super Easy!
- Repair Barnes & Jones, Dunham-Bush, Erwell, Spirax-Sarco, Hoffman, Trane, Mepco, Watson-McDaniels and other brand names!



## The Easiest way to fix your Float & Thermostatic Steam Trap

All replacement parts are pre-assembled onto a new cover or boxed for easy on-the-job assembly. This makes repairing your old F & T unbelievably easy! All you do is turn off the steam to the trap, unbolt the cover, bolt on the new cover and, boom, you're done!

**Check the Order table below:** If the Head Assembly column says "Head Assembly" everything comes pre-assembled. If the Head Mechanism column says "Kit" the parts (air vent, valve assembly, float and gasket) are not pre-assembled on a new cover, but the individual repair parts come in one package for easy on-the-job assembly.

Dunham-Bush (Mepco) F&T Repair			
Dunham-Bush F&T Model No.	Pipe Size	Head Assembly or Kit?	ORDER NUMBER
30-2A	3/4"	Repair Kit	BD2080
30-4	1"	Repair Kit	BD2083
30-5	1-1/4"	Repair Kit	BD2076
30-6	1-1/2"	Repair Kit	BD2077
30-7	1-1/2"	Repair Kit	BD2078
30-7A	1-1/2"	Repair Kit	BD2079
30-8	2"	Repair Kit	BD2081
30-8A	2"	Repair Kit	BD2082
40-215	3/4"	Head Assembly	BD2085
40-415	1"	Head Assembly	BD2085
40-515	1-1/4"	Repair Kit	BD2087
40-715	1-1/2"	Repair Kit	BD2088
New Hoffman F&T Repair Kits			
FT015H	Pipe Size	Head Assembly or Kit?	ORDER NUMBER
FT015H	3/4"	Head Assembly	BD2200
FT015H	1"	Head Assembly	BD2200
FT015H	1-1/4"	Head Assembly	BD2210
FT015H	1-1/2"	Head Assembly	BD2215
FT015H	2"	Head Assembly	BD2220

"Old" Style Hoffman F&T Repair			
Hoffman F&T Model No.	Pipe Size	Head Assembly or Repair Kit?	ORDER NUMBER
FT-53 & series 55	3/4"	Head Assembly	BD2100
FT-54 & series 55	1"	Head Assembly	BD2100
FT-56 & series 55	1-1/4"	Repair Kit	BD2102A
FT-57 & series 55	1-1/2"	Repair Kit	BD2102B
FT-58 & series 55	2"	Repair Kit	BD2102C
Erwell F&T Repair			
Erwel F&T Model No.	Pipe Size	Head Assembly or Kit?	ORDER NUMBER
F-15	3/4"	Head Assembly	BD2300
F-15	1"	Head Assembly	BD2310
F-30	3/4"	Head Assembly	BD2320
F-30	1"	Head Assembly	BD2330
F-75	3/4"	Head Assembly	BD2340
F-75	1"	Head Assembly	BD2350
F-125	3/4"	Head Assembly	BD2360
F-125	1"	Head Assembly	BD2370

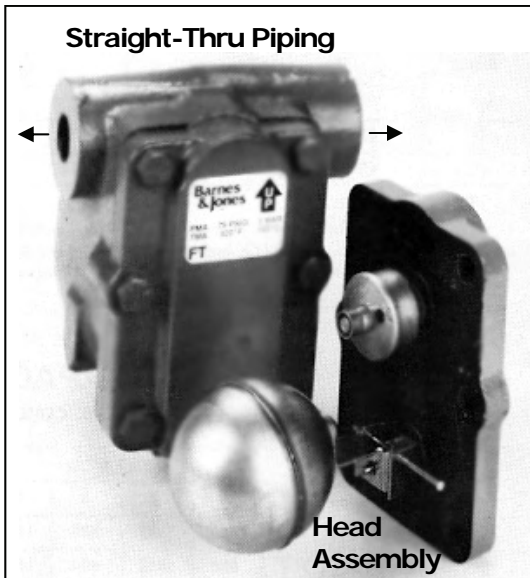
# Head Assemblies and Float & Thermostatic Trap Kits

Barnes & Jones manufactures F&T repair kits and Head Assemblies for other brands of steam traps. These units come either as pre-assembled head assemblies (picture on previous page), with the float, internal mechanism, seat air vent and cover gasket assembled on a new cover, or with all the wearable parts boxed in a Repair Parts "Kit" for assembly on-the-job. Identify your trap's brand name, model number and pipe size. Order the appropriate repair component below.

<b>Spirax-Sarco F&amp;T Repair</b>			
Spirax-Sarco F&T Model No.	Pipe Size	Head Assembly or Repair Kit	ORDER NUMBER
FT-15	3/4, 1"	Head Assembly	BD2090
FT-15	1-1/4"	Head Assembly	BD2096
FT-15	1-1/2"	Repair Kit	BD2097
FT-15	2"	Repair Kit	BD2098
FT-30	3/4, 1"	Head Assembly	BD2098A
FT-30	1-1/4"	Head Assembly	BD2098B
FT-30	1-1/2"	Repair Kit	BD2098C
FT-30	2"	Repair Kit	BD2098D
FT-75	3/4, 1"	Head Assembly	BD2098E
FT-75	1-1/4"	Repair Kit	BD2098F
FT-75	1-1/2"	Repair Kit	BD2098G
FT-75	2"	Repair Kit	BD2098H
FT-125	3/4, 1"	Head Assembly	BD2099A
FT-125	1-1/4"	Repair Kit	BD2099B
FT-125	1-1/2"	Repair Kit	BD2099C
FT-125	2"	Repair Kit	BD2099D
<b>Trane F&amp;T Repair</b>			
Trane F&T Model No.	Pipe Size	Complete Repair Kit	ORDER NUMBER
55AL	3/4, 1"	Repair Kit	BD2103
55ALS	3/4, 1"	Repair Kit	BD2103
55AM	3/4, 1"	Repair Kit	BD2103A
55AH	3/4, 1"	Repair Kit	BD2103B
66CL	1-1/4"	Repair Kit	BD2104
66CM	1-1/4"	Repair Kit	BD2104A
66CH	1-1/4"	Repair Kit	BD2104B
77HL	1-1/2, 2"	Repair Kit	BD2101
77HM	1-1/2, 2"	Repair Kit	BD2101A
77HH	1 1/2, 2"	Repair Kit	BD2101B
686 Series	3/4, 1"	Repair Kit	BD2103
675 Series	1-1/4"	Repair Kit	BD2104
601 Series	1-1/2, 2"	Repair Kit	BD2101
<b>Watson-McDaniel F&amp;T Repair</b>			
Watson-McDaniel	Pipe Size	Pre-Assembled Head Assembly	ORDER NUMBER
FT3	3/4"	Head Assembly	BD2100
FT4	1"	Head Assembly	BD2100

<b>Barnes &amp; Jones F&amp;T Repair</b>			
Barnes & Jones Trap Model	Pipe Size	Head Assembly or Repair Kit	ORDER NUMBER
41T	3/4"	Repair Kit	BD2055
42T	1"	Repair Kit	BD2060
43T	1-1/4"	Repair Kit	BD2065
44T	1-1/2"	Repair Kit	BD2070
457T	2"	Repair Kit	BD2075
51T	3/4"	Head Assembly	BD2165
52T	1"	Head Assembly	BD2165
653	3/4"	Repair Kit	BD2120
654	1"	Repair Kit	BD2125
655	1-1/4"	Repair Kit	BD2130
656	1-1/2"	Repair Kit	BD2135
657	2"	Repair Kit	BD2140
753	3/4"	Repair Kit	BD2145
754	1"	Repair Kit	BD2150
755	1-1/4"	Repair Kit	BD2155
756	1-1/2"	Repair Kit	BD2160
FT2015-3	3/4"	Head Assembly	BD2200
FT2015-4	1"	Head Assembly	BD2205
FT2015-5	1-1/4"	Head Assembly	BD2210
FT2015-6	1-1/2"	Head Assembly	BD2215
FT2015-8	2"	Repair Kit	BD2220
FT2030-3	3/4"	Head Assembly	BD2225
FT2030-4	1"	Head Assembly	BD2230
FT2030-5	1-1/4"	Head Assembly	BD2235
FT2030-6	1-1/2"	Head Assembly	BD2240
FT2030-8	2"	Repair Kit	BD2245
FT2075-3	3/4"	Head Assembly	BD2250
FT2075-4	1"	Head Assembly	BD2255
FT2075-5	1-1/4"	Head Assembly	BD2260
FT2075-6	1-1/2"	Head Assembly	BD2265
FT2075-8	2"	Repair Kit	BD2270
FT2125	3/4"	Head Assembly	BD2275
FT2125	1"	Head Assembly	BD2280
FT2125	1-1/4"	Head Assembly	BD2285
FT2125	1-1/2"	Head Assembly	BD2290
FT2125	2"	Repair Kit	BD2295

# Barnes & Jones Straight-Through F&T Traps



## FTI Trap Dimensions

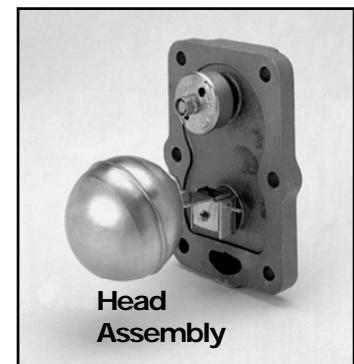
Pipe Size	Models	A	B	C
1/2 - 1"	FTI-2015	5"	6-1/4"	6-1/2"
1/2 - 1"	FTI-2030	5"	6-1/4"	6-1/2"
1/2 - 1"	FTI-2075	5"	6-1/4"	6-1/2"
1/2 - 1"	FTI-2125	5"	6-1/4"	6-1/2"

The FTI traps are often used to replace inverted bucket traps in steam heating systems: The air vent in the FTI trap allows it to discharge significantly more air than a traditional bucket trap. Important at start-up on a low-pressure steam heating system.

*FTI traps are also used to replace the Illinois model 6G (3/4") and 7G (1") float and thermostatic steam traps.*

Complete Traps FTI Traps				Related Repair Parts		
Model No.	Pipe Size	Maximum Pressure	FTI TRAP ORDER NO.	Head Assembly	Air Vent	Cover Gasket
FTI-2015-2	1/2"	15	BC2195	BD2400	BD1023A	HL1574
FTI-2015-3	3/4"		BC2200	BD2410		
FTI-2015-4	1"		BC2205	BD2420		
FTI-2030-2	1/2"	30	BC2210	BD2430		
FTI-2030-3	3/4"		BC2215	BD2440		
FTI-2030-4	1"		BC2220	BD2450		
FTI-2075-2	1/2"	75	BC2225	BD2460		
FTI-2075-3	3/4"		BC2230	BD2470		
FTI-2075-4	1"		BC2235	BD2480		
FTI-2125-2	1/2"	125	BC2240	BD2490		
FTI-2125-3	3/4"		BC2245	BD2500		
FTI-2125-4	1"		BC2250	BD2510		

The **FTI Head Assemblies** include all the replacement parts (float & mechanism, air vent and cover gasket) pre-assembled on a new cover. All you do is un-bolt the old cover, bolt-on the new one, and you're done.



Pipe Size	Model No.	Pressure Differential and Pounds per Hour of Condensate Discharge										
		1 lb.	2 lb.	5 lb.	15 lb.	20 lb.	30 lb.	40 lb.	50 lb.	75 lb.	100 lb.	125 lb.
1/2 to 1"	FTI-2015	513	683	824	1129	—	—	—	—	—	—	—
1/2 to 1"	FTI-2030	513	683	824	1129	1271	—	—	—	—	—	—
1/2 to 1"	FTI-2075	294	383	546	835	919	1019	1176	1292	1523	—	—
1/2 to 1"	FTI-2125	184	242	347	525	593	698	788	872	1019	1166	1249