



The "Big Mouth" Vent & Crossover Trap Low Pressure Steam Service VAC-25 PSIG PMO

Model No. BJ-3BM

Features

- Large Air Venting Capability
- Factory Calibrated & Tested.
- Bronze Body, Forged Brass Cover, Union Nut & Tailpiece..
- Pipe Sizes: 1/2" & 3/4" NPT (1/2" special order only)
- Piping Pattern: Vertical (Air Vent) or Horizontal for (Crossover Trap) application.



Front View

Side View

Description

The Barnes & Jones "Big Mouth" vent is a thermostatic main vent designed for maximum evacuation of air and non-condensable gases from low-pressure steam systems. Available in 3/4" NPT (standard) and 1/2" NPT (special order). Recommended install at 8"-10" above the steam piping and 12" from the end of the steam main. Cross-over traps installed in the horizontal position.

Capacity (CFM) Vent				
Model	Size	1 oz.	2 oz.	3 oz.
BJ-2BM	1/2"	2.0	2.4	3.6
BJ-3BM	3/4"	2.0	2.4	3.6

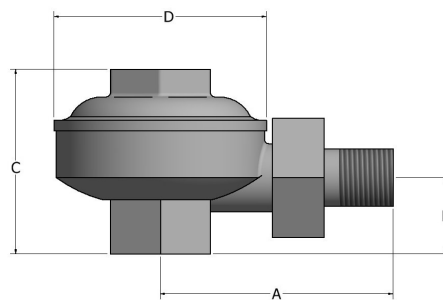
Capacity (EDR) Crossover Trap						
Model			Pressure Differential (PSIG)			
Type	Size	Orifice	.25	.50	1	1.5
BJ-2CR	1/2"	5/16"	92	570	168	700
BJ-3CR	3/4"	5/16"	152	570	320	700

Part	Materials
Cap	Brass, ASTM CDA-377
Body	Brass, ASTM CDA-377
Element	Stainless Steel
Gaskets	EPDM
Plug	Brass
Seat	Brass w/ Silicon O-ring

Dimensions							
Model	Size	A	B	C	D	E	Wt. #
BJ-BM	1/2" & 3/4"	3-3/16"	1-1/8"	2-1/2"	3-1/16"	4-1/2"	2
BJ-CR	1/2" & 3/4"	3-3/16"	1-1/8"	2-1/2"	3-1/16"	4-1/2"	2

Part	Part No.
Cap & Disc	BJC5842-BM
Nut	BJC346
Tailpiece 1/2"	BJC544
Tailpiece 3/4"	BJC1045
O-ring	BJCS4870

Crossover Trap Application P/N BJ-2CR & BJ-3CR
Angle Piping Pattern



Big Mouth Vent P/N BJ-2BM & BJ-3BM
Vertical Piping Pattern

