

**BALDOR® • RELIANCE** 

**Product Information Packet**

**EL11301**

**.33HP,1740RPM,1PH,60HZ,56,3418LC,ODP,F1**

Part Detail							
Revision:	F	Status:	PRD/A	Change #:		Proprietary:	No
Type:	AC	Elec. Spec:	34WGW954	CD Diagram:	CD0055	Mfg Plant:	
Mech. Spec:	34F353	Layout:	34LYF353	Poles:	04	Created Date:	03-11-2014
Base:	RG	Eff. Date:	02-27-2018	Leads:	6#18		

Specs			
Catalog Number:	EL11301	Insulation Class:	F
Enclosure:	ODP	Inverter Code:	Not Inverter
Frame:	56	KVA Code:	K
Frame Material:	Steel	Lifting Lugs:	No Lifting Lugs
Output @ Frequency:	.330 HP @ 60 HZ	Locked Bearing Indicator:	No Locked Bearing
Synchronous Speed @ Frequency:	1800 RPM @ 60 HZ	Motor Lead Quantity/Wire Size:	6 @ 18 AWG
Voltage @ Frequency:	230.0 V @ 60 HZ	Motor Lead Exit:	Ko Box
	115.0 V @ 60 HZ	Motor Lead Termination:	Flying Leads
XP Class and Group:	None	Motor Type:	3418LC
XP Division:	Not Applicable	Mounting Arrangement:	F1
Agency Approvals:	CSA	Power Factor:	85
	UR	Product Family:	General Purpose
Auxillary Box:	No Auxillary Box	Pulley End Bearing Type:	Ball
Auxillary Box Lead Termination:	None	Pulley Face Code:	Standard
Base Indicator:	Rigid	Pulley Shaft Indicator:	Standard
Bearing Grease Type:	Polyrex EM (-20F +300F)	Rodent Screen:	None
Blower:	None	RoHS Status:	ROHS COMPLIANT
Current @ Voltage:	1.700 A @ 230.0 V	Shaft Extension Location:	Pulley End

	2.500 A @ 208.0 V	<b>Shaft Ground Indicator:</b>	No Shaft Grounding
	3.400 A @ 115.0 V	<b>Shaft Rotation:</b>	Reversible
<b>Design Code:</b>	N	<b>Shaft Slinger Indicator:</b>	No Slinger
<b>Drip Cover:</b>	No Drip Cover	<b>Speed Code:</b>	Single Speed
<b>Duty Rating:</b>	CONT	<b>Motor Standards:</b>	NEMA
<b>Electrically Isolated Bearing:</b>	Not Electrically Isolated	<b>Starting Method:</b>	Direct on line
<b>Feedback Device:</b>	NO FEEDBACK	<b>Thermal Device - Bearing:</b>	None
<b>Front Face Code:</b>	Standard	<b>Thermal Device - Winding:</b>	None
<b>Front Shaft Indicator:</b>	None	<b>Vibration Sensor Indicator:</b>	No Vibration Sensor
<b>Heater Indicator:</b>	No Heater	<b>Winding Thermal 1:</b>	None
		<b>Winding Thermal 2:</b>	None

Nameplate NP3155L										
CAT.NO.	EL11301									
SPEC.	34F353W954G2									
HP	.33									
VOLTS	115/230									
AMP	3.4/1.7									
RPM	1740									
FRAME	56				HZ	60			PH	1
SER.F.	1.35		CODE	K	DES	N		CL	F	
F.L. AVG. EFF.	72.4		PF	85						
RATING	40C AMB-CONT									
CC								USABLE AT 208V	2.5	
DE	6203				ODE	6203				
ENCL	ODP		SN							
	SFA 4.4/2.2									

Parts List		
Part Number	Description	Quantity
SA277760	SA 34F353W954G2	1.000 EA
RA264308	RA 34F353W954G2	1.000 EA
OC3016F12SP	CYL OIL CAP 16MFD/370V	1.000 EA
EC1145A02	ELEC CAP 115V 1.4 X 3.3 X	1.000 EA
NS2512A01	INSULATOR, CONDUIT BOX X	1.000 EA
34CB3002A	CB CAST W/.88 DIA HOLE	1.000 EA
51XB1016A07	10-16 X 7/16 HXWSSLD SERTYB	2.000 EA
11XW1032G06	10-32 X .38, TAPTITE II, HEX WSHR SLTD U	1.000 EA
51XW0832A07	8-32 X .44, TAPTITE II, HEX WSHR SLTD SE	2.000 EA
SP1006A01	TERM. BOARD, MODE 35 SW X H-23655	1.000 EA
34EP3210A01SP	FR ENDPLATE, MACH	1.000 EA
34CB3801	CAPACITOR BOX, DIE CAST	1.000 EA
51XB1214A08	12-14 X 1/2HX WS SL SR TYBX	2.000 EA
34GS5003A01	FOAM SLEEVE, ID = 2 1/16" X 4 3/8"	1.000 EA
HW5100A03	WAVY WASHER (W1543-017)	1.000 EA
34EP3212A02	PU ENDPLATE, MODEL 34 OPEN	1.000 EA
XY1032A02	10-32 HEX NUT DIRECTIONAL SERRATION	4.000 EA
34CB4517	CB LID 4 MTG HOLES .22 DIA STAMPED, FOR	1.000 EA
51XW0832A07	8-32 X .44, TAPTITE II, HEX WSHR SLTD SE	4.000 EA
HW2501D13	KEY, 3/16 SQ X 1.375	1.000 EA
HA7000A04	KEY RETAINER 0.625 DIA SHAFTS	1.000 EA
85XU0407S04	4X1/4 U DRIVE PIN STAINLESS	2.000 EA
SP5056A18	34 TYPE LC STATIONARY SWITCH W/E, O, 8-R	1.000 EA
HA3100A44	THRUBOLT 10-32 X 8.000	4.000 EA

<b>Parts List (continued)</b>		
<b>Part Number</b>	<b>Description</b>	<b>Quantity</b>
MG1000Y03	MUNSELL 2.53Y 6.70/ 4.60, GLOSS 20,	0.014 GA
MN416A01	TAG-INSTAL-MAINT no wire (1200/bx) 3/19	1.000 EA
LC0001A01	CONN LABEL / WARNING LABEL (LC0001 / LB1	1.000 EA
NP3155L	ALUM SUPER-E UL CSA CC "SEMS"	1.000 EA
35PA1000	PKG GRP, PRINT PK1008A06	1.000 EA
34GS5003A01	FOAM SLEEVE, ID = 2 1/16" X 4 3/8"	1.000 EA

**AC Induction Motor Performance Data**

Record # 44912 - Typical performance - not guaranteed values

<b>Winding:</b> 34WGW954-R003	<b>Type:</b> 3418LC	<b>Enclosure:</b> OPEN
-------------------------------	---------------------	------------------------

Nameplate Data				115 V, 60 Hz: Low Voltage Connection	
Rated Output (HP)	.33			Full Load Torque	0.996 LB-FT
Volts	115/230			Start Configuration	direct on line
Full Load Amps	3.4/1.7			Breakdown Torque	3.18 LB-FT
R.P.M.	1740			Pull-up Torque	2.29 LB-FT
Hz	60	Phase	1	Locked-rotor Torque	4.26 LB-FT
NEMA Design Code	-	KVA Code	K	Starting Current	24.1 A
Service Factor (S.F.)	1.35			No-load Current	1.69 A
NEMA Nom. Eff.	72.4	Power Factor	85	Line-line Res. @ 25°C	1.7428 Ω A Ph 5.5858 Ω B Ph
Rating - Duty	40C AMB-CONT			Temp. Rise @ Rated Load	35°C
S.F. Amps	4.4/2.2			Temp. Rise @ S.F. Load	42°C

Load Characteristics 115 V, 60 Hz, 0.33 HP

% of Rated Load	25	50	75	100	125	150	S.F.
Power Factor	62	72	81	85	87	89	88
Efficiency	32.1	64.5	69.3	73.5	76.7	73.7	75.5
Speed	1780.3	1770	1754.7	1739.9	1725.3	1703.3	1716
Line amperes	1.96	2.31	2.87	3.43	3.99	4.81	4.32

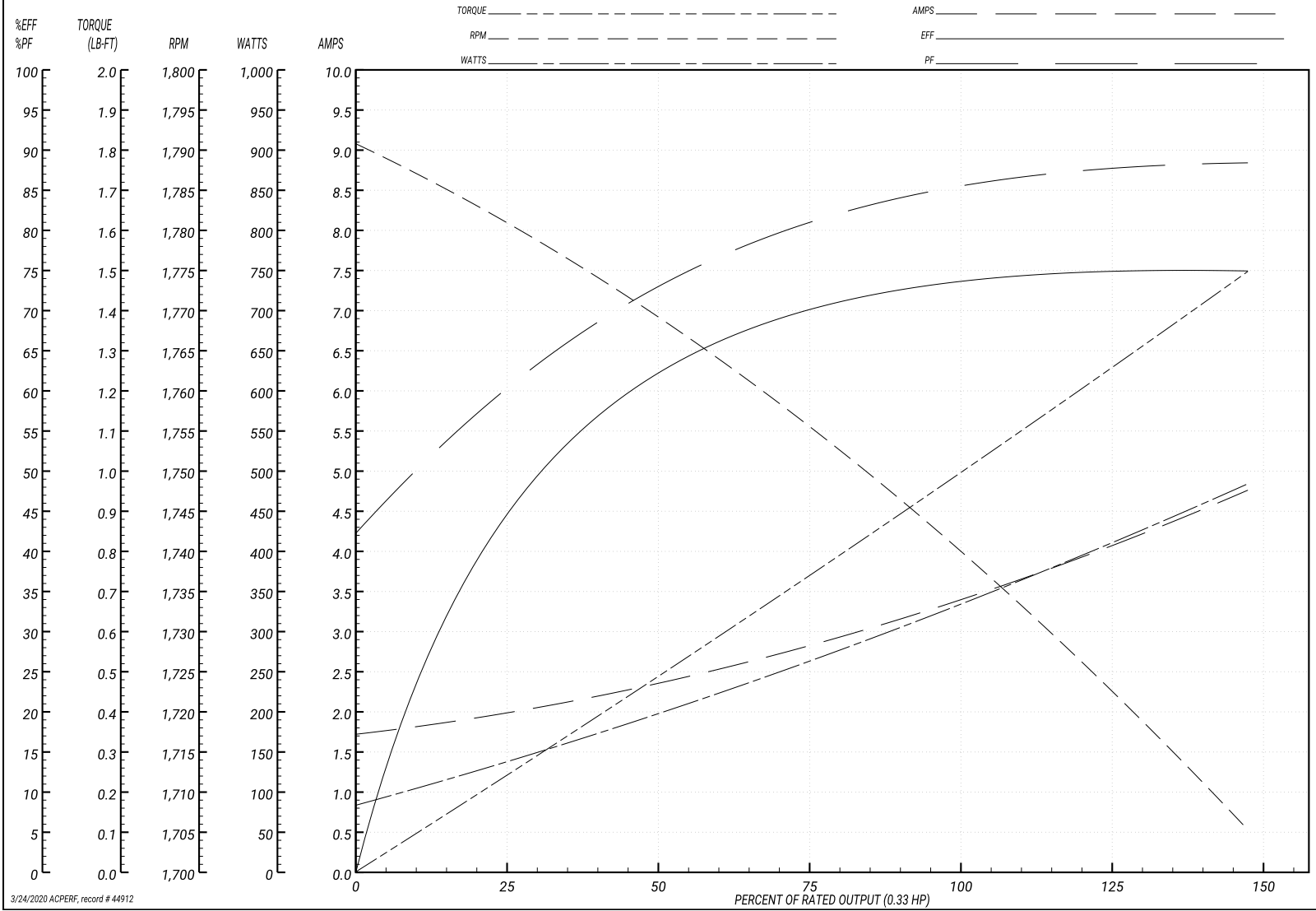
Performance Graph at 115V, 60Hz, 0.33HP Typical performance - Not guaranteed values

ABB Motors and Mechanical Inc.

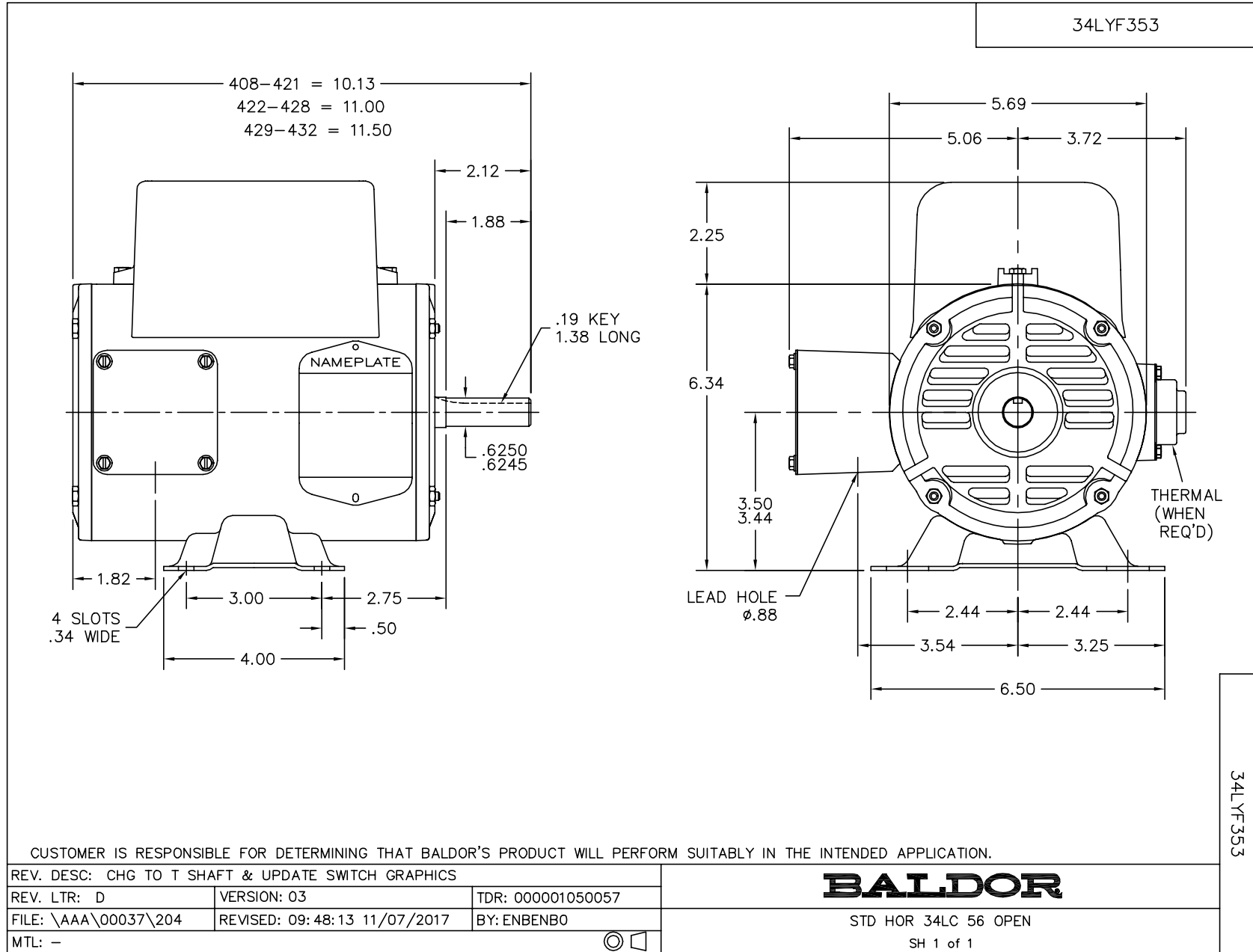
WINDING # 34WGW954

Typical performance - not guaranteed values.

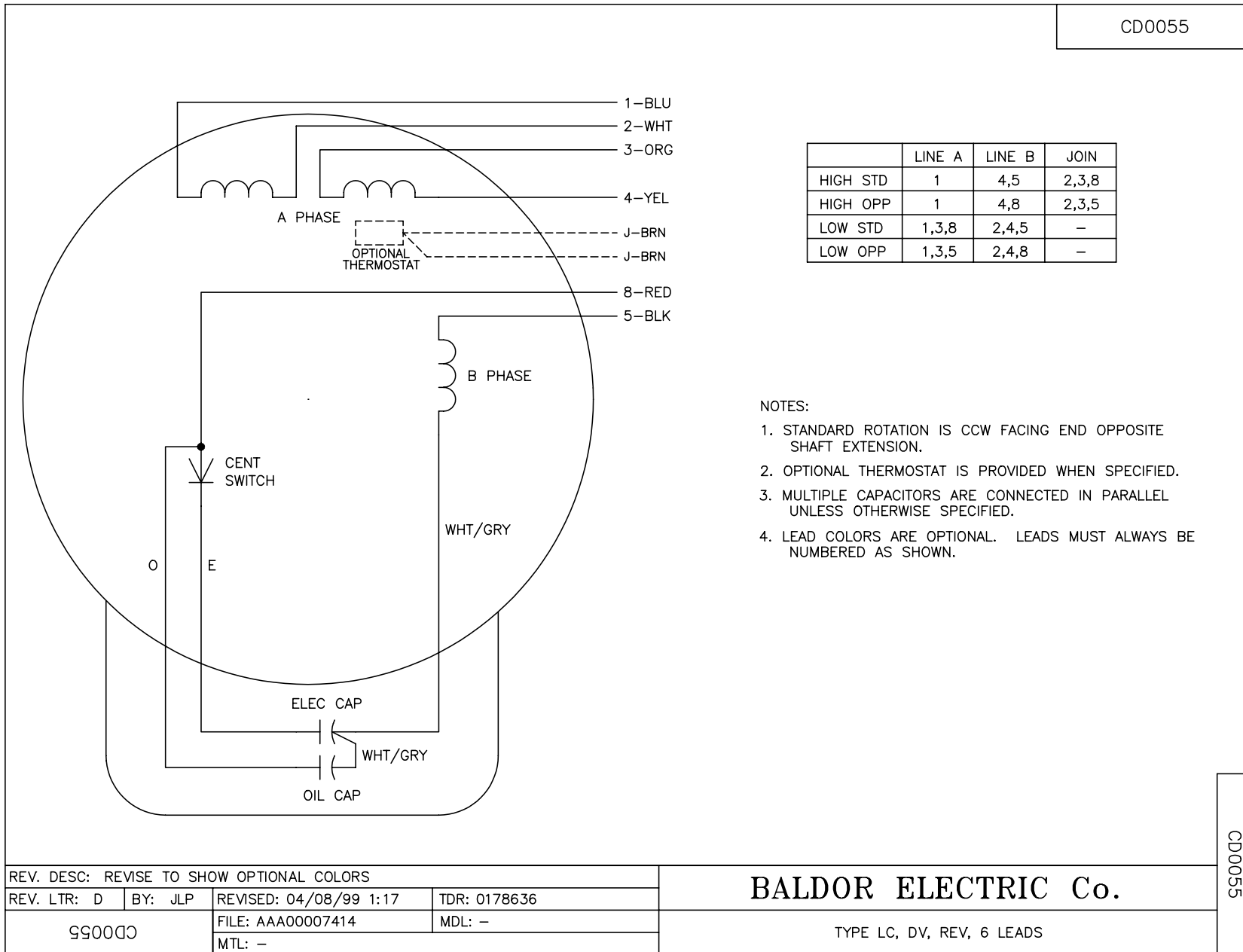
0.33 HP 1 PH 60 HZ 1740 RPM 115 V 3418LC  
 TORQUES(LB-FT): PO=3.18 PU=2.29 LR=4.26 LRA=24.1



3/24/2020 ACPERF, record # 44912



CD0055



REV. DESC: REVISE TO SHOW OPTIONAL COLORS			
REV. LTR: D	BY: JLP	REVISED: 04/08/99 1:17	TDR: 0178636
99000		FILE: AAA00007414	MDL: -
CD0055		MTL: -	

**BALDOR ELECTRIC Co.**

TYPE LC, DV, REV, 6 LEADS

CD0055