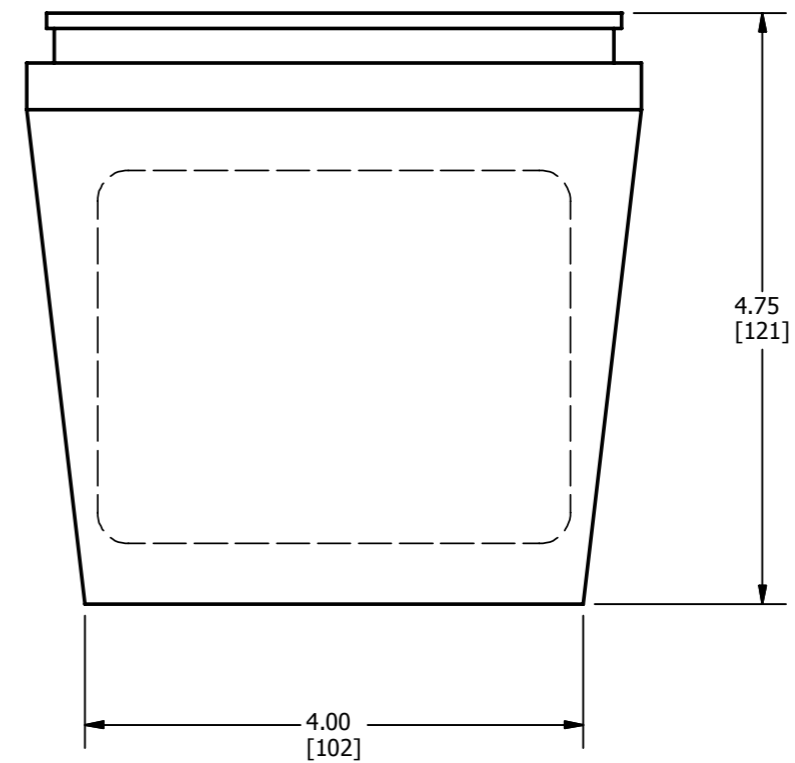
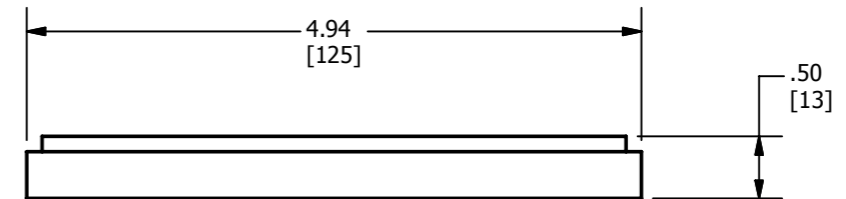


REV	DATE	DESCRIPTION	ECO	BY	CHK.
A	04/18/2013	SALES DRAWING FOR CAT # PENEQT	31331	PM	MB



BURNDY®
PENETROX™ E
ELECTRICAL JOINT COMPOUND

- For all bare CU/CU connections, ground
- For the prevention of oxide build-up
- for use as anti-seizing thread lubricant.

LISTED 824F **CONDUCTOR TERMINATION COMPOUND** **1 qt.**

81810 59292

BURNDY®
PENETROX™ E

Recommended for all use Copper to Copper applications, grounding and for use on copper conduit threads. Assures high conductivity joint by sealing out air and moisture to prevent corrosion and reformation of oxide film.

DIRECTIONS

1. Abrade conductor with wire brush or emery cloth.
2. Abrade Aluminum connector if not pre- filled with PENETROX™ E. Do not abrade plated connectors.
3. Apply PENETROX™ E liberally to both connector and conductor.
4. Assemble the joint.
5. Thoroughly wipe cable insulation clean of compound after installation.
6. For insulation rated greater than 600V. Care should be taken to completely clean the compound from the insulation.

NOTE : Service Temperature Range -40° to 350°F (-40° to 175° C)
STORE AT TEMPERATURE BELOW 150° F (66° C)

CAT. NO. PENEQT 1qt.
BURNDY , MANCHESTER, N.H. 03109.
FILL DATE :

NOTES:

1. DIMENSIONS IN BRACKETS [] ARE IN MILLIMETERS ROUNDED OFF TO THE NEAREST MILLIMETER, UNLESS OTHERWISE SPECIFIED AND ARE FOR REFERENCE ONLY.
2. MATERIAL: HIGH DENSITY POLYETHYLENE.

TO ORDER BURNDY® PRODUCTS CALL		PENETROX™ E QUART	
UNITED STATES 1-800-346-4175 (LONDONDERRY, NH)		ITEM NO: 547042	
CANADA: 1-800-361-6975 (QUEBEC) 1-800-387-6487 (ALL OTHER PROVINCES)		CAT. NO: PENEQT	
FOR PRODUCT INFO: http://www.burndy.com		DRAWN BY: PALANI M 12/10/2012	
		CHECKER: K BOUTIN 08/29/2013	
		DSN APRVL: K BOUTIN 08/29/2013	
		MFG APRVL: --	
		QA APRVL: C ACKERMAN 08/22/2013	
		MKT APRVL: R CAVANAUGH 08/01/2013	
		PROJ #: --	
		DRAWING NO 50016179	
		REV A	
		SHEET 1 OF 1	
		REL LEVEL: Released	