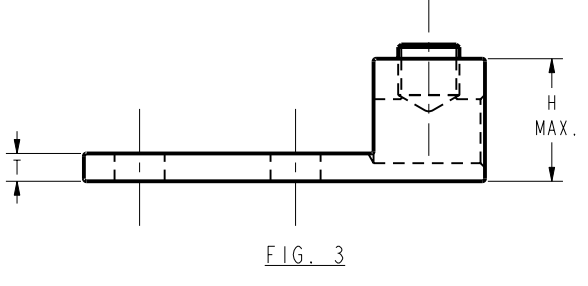
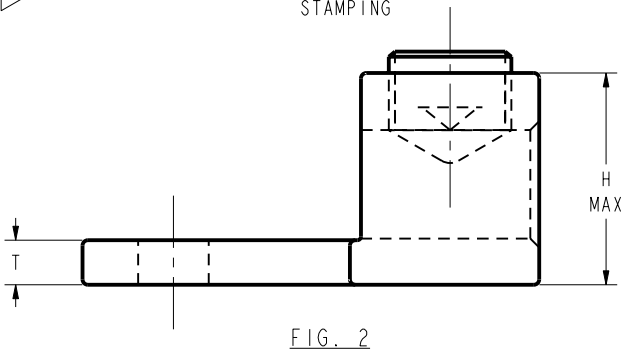
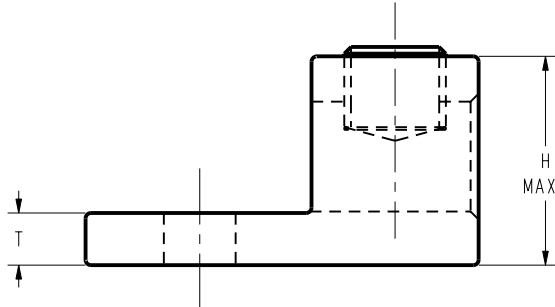
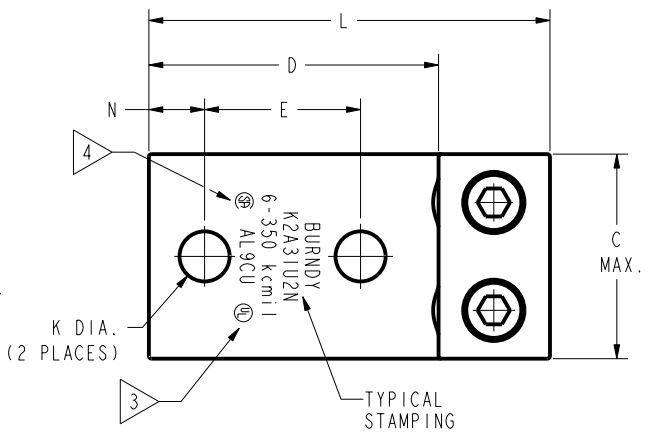
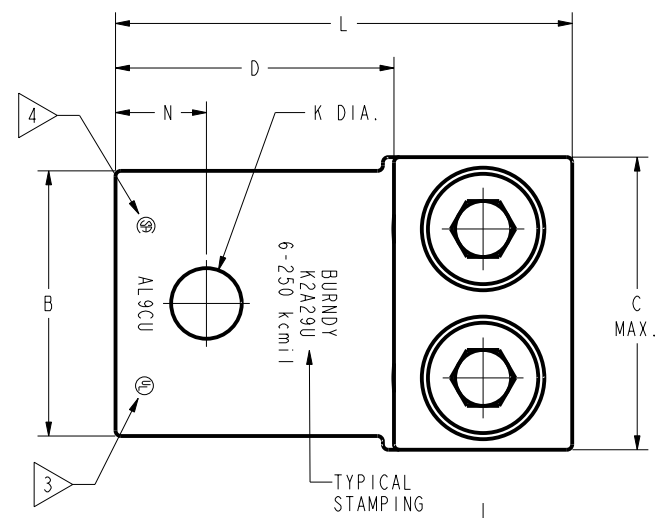
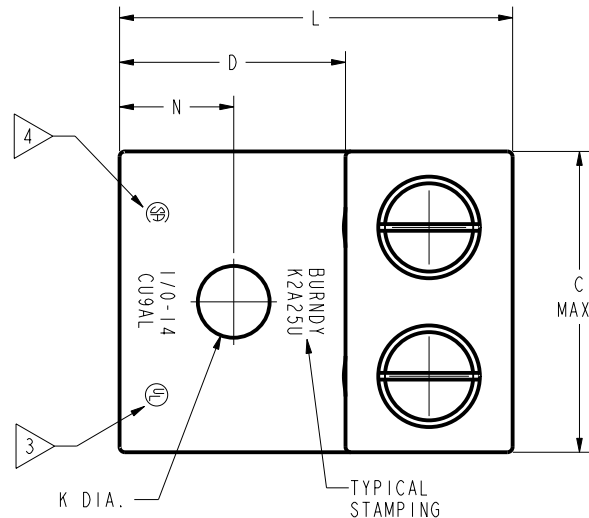


REV	DATE	DESCRIPTION	ECO	BY	C'H'K.
N	03/25/2014 03:00:00 AM	UPDATED AS PER MARKUP	35437	TS	BT

CATALOG NUMBER	FIG. NO.	CONDUCTOR RANGE ALUMINUM OR COPPER	BOLT HOLE SIZE.	DIMENSIONS								RECOMMENDED TIGHTENING TORQUE: IN. LBS N.M	
				C MAX.	D	E	H MAX.	K DIA.	L	N	T		B
K2A25U	1	TWO: 14 STR. - 1/0 STR.	1/4" [M6]	1.15 [29]	.81 [21]	----	.79 [20]	.27 [7]	1.47 [37]	.44 [11]	.19 [5]	----	50 (6)
K2A26U	1	TWO: 14 STR. - 2/0 STR.	1/4" [M6]	1.27 [32]	.81 [21]	----	.80 [20]	.27 [7]	1.47 [37]	.44 [11]	.19 [5]	----	120 (14)
K2A29U	2	TWO: 6 STR. - 250 kcmil	3/8" [M10]	1.66 [42]	1.50 [38]	----	1.20 [30]	.40 [10]	2.56 [65]	.50 [13]	.25 [6]	1.51	275 (31)
K2A31U	2	TWO: 6 STR. - 350 kcmil	1/2" [M12]	1.94 [49]	1.69 [43]	----	1.26 [32]	.56 [14]	2.88 [73]	.88 [22]	.25 [6]	----	275 (31)
K2A31U2N	3	TWO: 6 STR. - 350 kcmil	1/2" [M12]	2.31 [59]	3.00 [76]	1.75 [44]	1.39 [35]	.56 [14]	4.50 [114]	.63 [16]	.31 [8]	----	275 (31)
K2A36U	2	TWO: 2 STR. - 600 kcmil	1/2" [M12]	2.42 [61]	1.75 [44]	----	1.58 [40]	.53 [13]	3.20 [81]	.63 [16]	.44 [11]	2.02	375 (42)
K2A36U2N	3	TWO: 2 STR. - 600 kcmil	1/2" [M12]	2.42 [61]	3.22 [82]	1.75 [44]	1.39 [35]	.56 [14]	4.69 [119]	.63 [16]	.44 [11]	----	375 (42)
K2A40U	1	TWO: 300 - 800 kcmil	5/8" [M16]	3.20 [81]	1.66 [42]	----	1.95 [50]	.66 [17]	3.38 [86]	.85 [22]	.50 [13]	----	550 (62)
K2A40U2N	3	TWO: 300 - 800 kcmil	1/2" [M12]	3.20 [81]	3.03 [77]	1.75 [44]	1.95 [50]	.56 [14]	4.75 [121]	.63 [16]	.50 [13]	----	550 (62)
K2A44U	1	TWO: 500 - 1000 kcmil	5/8" [M16]	3.52 [89]	1.66 [42]	----	1.95 [50]	.66 [17]	3.50 [89]	.88 [22]	.50 [13]	----	550 (62)
K2A44U2N	3	TWO: 500 - 1000 kcmil	1/2" [M12]	3.21 [82]	3.03 [77]	1.75 [44]	1.95 [50]	.56 [14]	4.75 [121]	.63 [16]	.50 [13]	----	550 (62)



- NOTES:
- MATERIAL-BODY: ALUMINUM
SCREW: ALUMINUM
 - FINISH-BODY: TIN PLATED
SCREW: TIN PLATED
 - CONNECTORS ARE UL LISTED TO UL486A- 486B FOR ALUMINUM AND COPPER CONDUCTORS AT 90°C. STAMP MAY READ CU9AL OR AL9CU TO INDICATE THIS LISTING.
 - CONNECTORS ARE CSA CERTIFIED TO C22.2, NO. 65 FOR INDICATED CONDUCTOR RANGE.
 - "N" INDICATES NEMA STANDARD STUD HOLES.
 - LISTED TORQUE VALUES ARE FOR MAXIMUM CONDUCTOR SIZES ACCOMMODATED. CONSULT UL486 TABLES 7-4, 7-5, & 7-6 FOR SMALLER CONDUCTOR SIZES.
 - DIMENSIONS IN BRACKETS [] ARE IN MILLIMETERS ROUNDED OFF TO THE NEAREST MILLIMETER, UNLESS OTHERWISE NOTED, AND ARE FOR REFERENCE ONLY.
 - NOT RECOMMENDED FOR USE IN HIGHLY CORROSIVE ENVIRONMENT.

CONNECTOR SIZE	TOLERANCES
8C - 25	±.09
26 - 34	±.12
35 AND UP	±.15

TO ORDER BURNDY® PRODUCTS CALL
 UNITED STATES
 1-800-346-4175 (LONDONDERRY, NH)
 CANADA:
 1-800-361-6975 (QUEBEC)
 1-800-387-6487 (ALL OTHER PROVINCES)
 FOR PRODUCT INFO: <http://www.burndy.com>

UNIVERSAL TERMINAL			
ITEM NO:	N/A		
CAT. NO:	KA2-U (TABLE)		
DRAWN BY:	P. LAPONIUS	04/10/97	
CHECKER:	J. MICHAUD	04/21/97	
DSN APPVL:	K. MELLO	04/30/97	
MFG APPVL:	--	--	
QA APPVL:	D. VARIO	05/02/97	
MKT APPVL:	P. WERTHMAN	05/01/97	
PROD FAM:	CM&R_Mechanical	DRAWING NO	REV
PROJECT #:	--	SIZE	SE210997
DOCUMENT TYPE:	Sales	D	SHEET 2 OF 5
REL LEVEL:	Released		N

REV: PE0200