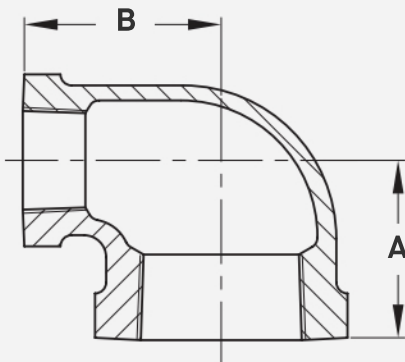


FIP Brass 90-Degree Reducing Elbow

(Lead Free)

FEATURES

- **Lead Free Brass Construction** - Made from certified lead-free brass for safe and effective use in hydronics and potable water systems.
- **Connection Type** - Threaded
- **Thread Type** - Female



SKU	Size	A	B
BRE075-050	3/4" x 1/2"	1.20"	1.22"
BRE100-025	1" x 1/4"	1.06"	1.22"
BRE100-038	1" x 3/8"	1.18"	1.27"
BRE100-050	1" x 1/2"	1.26"	1.40"
BRE100-075	1" x 3/4"	1.37"	1.45"
BRE125-038	1-1/4" x 3/8"	1.26"	1.44"
BRE125-050	1-1/4" x 1/2"	1.34"	1.53"
BRE125-075	1-1/4" x 3/4"	1.45"	1.62"
BRE125-100	1-1/4" x 1"	1.58"	1.67"
BRE150-050	1-1/2" x 1/2"	1.38"	1.63"
BRE150-075	1-1/2" x 3/4"	1.51"	1.72"
BRE150-100	1-1/2" x 1"	1.63"	1.84"
BRE150-125	1-1/2" x 1-1/4"	1.71"	1.93"