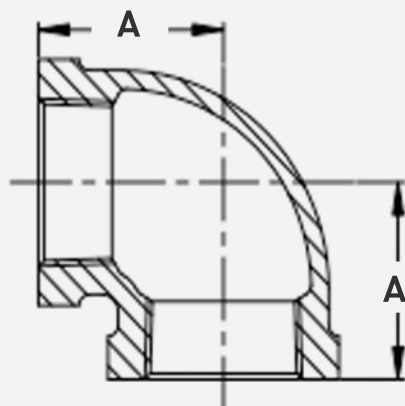


FIP Brass 90-Degree Elbow

(Lead Free)

FEATURES

- **Lead Free Brass Construction** - Made from certified lead-free brass for safe and effective use in hydronics and potable water systems.
- **Connection Type** - Threaded
- **Thread Type** - Female



SKU	Size	A
BRE025	1/4"	0.71"
BRE038	3/8"	0.83"
BRE050	1/2"	1.02"
BRE075	3/4"	1.18"
BRE100	1"	1.42"
BRE125	1-1/4"	1.69"
BRE150	1-1/2"	1.85"