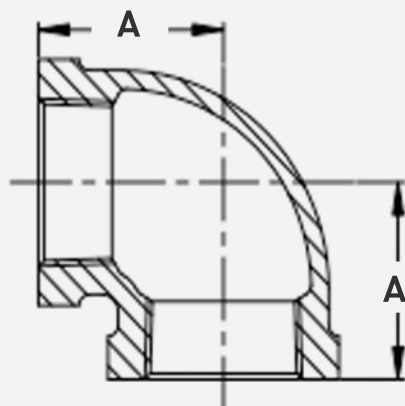


FIP Brass 90-Degree Elbow

(Lead Free)

FEATURES

- **Lead Free Brass Construction** - Made from certified lead-free brass for safe and effective use in hydronics and potable water systems.
- **Connection Type** - Threaded
- **Thread Type** - Female



SKU	Size	A
BRE018	1/8"	0.62"