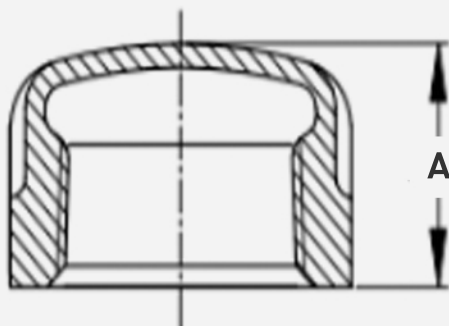


# Threaded Brass Cap

(Lead Free)

## FEATURES

- **Lead Free Brass Construction** - Made from certified lead-free brass for safe and effective use in hydronics and potable water systems.
- **Connection Type** - Threaded



SKU	Size	A
BRCPO18	1/8"	0.47"
BRCPO25	1/4"	0.59"
BRCPO38	3/8"	0.63"
BRCPO50	1/2"	0.75"
BRCPO75	3/4"	0.83"
BRCP100	1"	0.98"
BRCP125	1-1/4"	1.10"
BRCP150	1-1/2"	1.14"
BRCP200	2"	1.34"
BRCP250	2-1/2"	1.69"
BRCP300	3"	1.81"
BRCP400	4"	2.09"