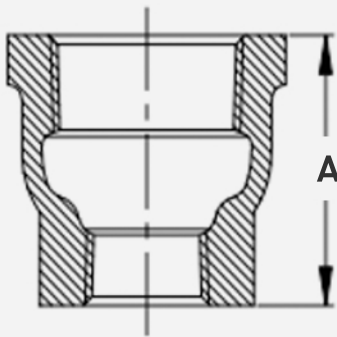


FIP Brass Reducing Coupling

(Lead Free)

FEATURES

- **Lead Free Brass Construction** - Made from certified lead-free brass for safe and effective use in hydronics and potable water systems.
- **Connection Type** - Threaded
- **Thread Type** - Female



SKU	Size	A
BRC025-018	1/4" x 1/8"	0.87"
BRC038-018	3/8" x 1/8"	0.91"
BRC038-025	3/8" x 1/4"	1.02"
BRC050-018	1/2" x 1/8"	1.14"
BRC050-025	1/2" x 1/4"	1.14"
BRC050-038	1/2" x 3/8"	1.18"
BRC075-025	3/4" x 1/4"	1.22"
BRC075-038	3/4" x 3/8"	1.22"
BRC075-050	3/4" x 1/2"	1.38"
BRC100-025	1" x 1/4"	1.50"
BRC100-038	1" x 3/8"	1.50"
BRC100-050	1" x 1/2"	1.50"
BRC100-075	1" x 3/4"	1.57"
BRC125-050	1-1/4" x 1/2"	1.65"
BRC125-075	1-1/4" x 3/4"	1.65"
BRC125-100	1-1/4" x 1"	1.77"
BRC150-050	1-1/2" x 1/2"	1.77"
BRC150-075	1-1/2" x 3/4"	1.77"
BRC150-100	1-1/2" x 1"	1.77"
BRC150-125	1-1/2" x 1-1/4"	1.89"
BRC200-050	2" x 1/2"	2.05"
BRC200-075	2" x 3/4"	2.05"
BRC200-100	2" x 1"	2.05"
BRC200-125	2" x 1-1/4"	2.05"
BRC200-150	2" x 1-1/2"	2.05"
BRC250-125	2-1/2" x 1-1/4"	3.27"
BRC250-150	2-1/2" x 1-1/2"	3.27"
BRC250-200	2-1/2" x 2"	3.27"
BRC300-150	3" x 1-1/2"	3.70"
BRC300-200	3" x 2"	3.70"
BRC300-250	3" x 2-1/2"	3.70"
BRC400-200	4" x 2"	4.37"
BRC400-250	4" x 2-1/2"	4.37"
BRC400-300	4" x 3"	4.37"