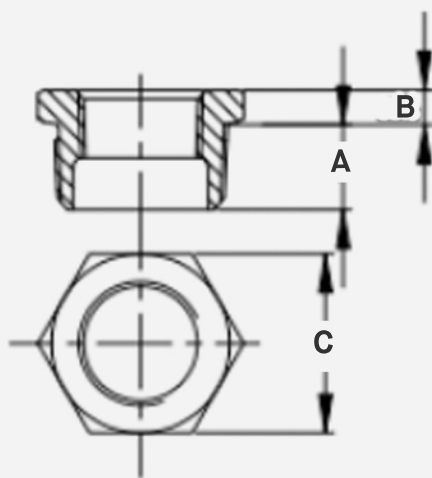


MIP x FIP Brass Bushing

(Lead Free)

FEATURES

- **Lead Free Brass Construction** - Made from certified lead-free brass for safe and effective use in hydronics and potable water systems.
- **Connection Type** - Threaded
- **Thread Type** - Male x Female



SKU	Size	A	B	C
BRB100-025	1" x 1/4"	0.75"	0.24"	1.42"
BRB150-050	1-1/2" x 1/2"	0.83"	0.31"	2.01"
BRB200-075	2" x 3/4"	0.87"	0.35"	2.48"
BRB200-100	2" x 1"	0.87"	0.35"	2.48"