



JOB NAME:	CONTRACTOR:
JOB LOCATION:	APPROVAL:
ENGINEER:	CONTRACTOR P.O.:
APPROVAL:	REPRESENTATIVE:

## MEN501S-0\*

**RUBBER-LINED DIRECT MOUNT, LUG STYLE BUTTERFLY VALVE WITH EPDM SEATS AND SS DISC WITH VALBIA METAL ELECTRIC ACTUATOR  
SIZES 1-1/2" TO 12"**

**ME531S - VITON | ME541S - BUNA**

*001	12V AC/DC	*002	24V AC/DC	*003	100-240VAC
*01*	BATTERY BACKUP	*02*	POSITIONER	*04*	BAT. BACKUP W POS

## SPECIFICATIONS

Bonomi North America series EXMEN501S packages, include ductile iron, epoxy coated, lug style, resilient EPDM seat butterfly valves in sizes 1 1/2"-12" are NSF/ANSI61/372 certified.

This series shall offer a dual stem design and ISO 5211/DIN3337 direct mounting for high cycle automation capabilities.

In addition, the MEN501Sseries features a phenolic -backed cartridge seat design which offers a 250CWP maximum pressure rating, dead-end service to 100 PSI, and conforms to ANSI B16.1 and ANSI B16.5

The heavy duty industrial EXM series electric actuator features a direct mount CSA certified NEMA 4X,7,8, and 9 housing, with 2 auxiliary switches, 1/2" conduit connections, built in thermal overload protection, heater & thermostat, clutchless manual override, and a temperature range of -22°F to 156°F.

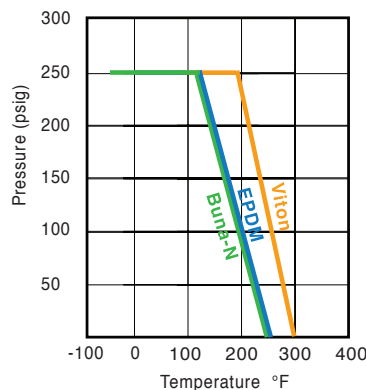
## ACTUATOR FEATURES

- Dual Voltages
- CSA, UL approved
- 24V AC/DC and 100-240V AC
- ISO 5211 dual patterns
- 75% Duty Cycle
- High-Strength, Die Cast Aluminum Powder Coated Housing
- Temperature Range -4°F to 131°F
- IP68/Type 4X Housing
- Two Auxiliary Switches Standard
- Torque limiter standard
- 1/2" Conduit connections

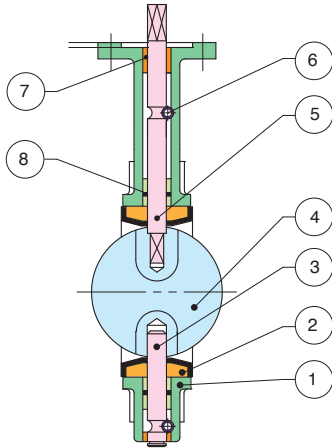
## VALVE FEATURES

- Sizes 1-1/2" to 12"
- ISO 5211 Direct Mount/Square Stem
- Epoxy coated Ductile Iron Lug body
- EPDM resilient seat (-30°F TO 250°F)
- 531S - VITON seats (10°F TO 300°F)
- 541S - BUNA seats (10°F TO 250°F)
- API609 face to face flange
- Floating dual shaft disc design
- MSS SP 67 compliant
- No pins in disc prevent potential leak points
- NSF/ANSI 61, 372 approved

## PRESSURE TEMPERATURE CHART FOR N501S/531S/541S

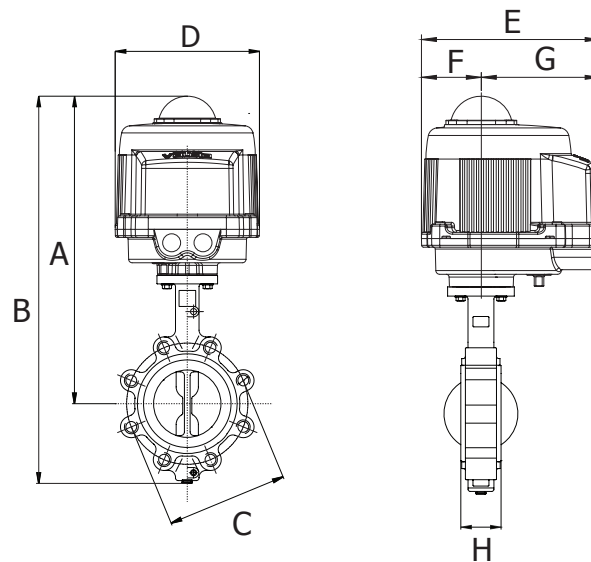


## BILL OF MATERIALS FOR N501S



N POS	PART NAME	MODEL	MATERIAL	N PCS
1	BODY		CAST IRON	1
2	SEAT	N501S	EPDM (-30°F TO 250°F)	1
		531S	VITON (10°F TO 300°F)	
		541S	BUNA (10°F TO 250°F)	
3	LOWER SHAFT		SS416	1
4	DISC		STAINLESS STEEL	1
5	UPPER SHAFT		SS416	1
6	LOCATING PIN		CARBON STEEL	1
7	BUSHING		P.T.F.E.	1
8	O-RING		EPDM	1
9	LEVER		EPOXY-COATED CARBON STEEL	1

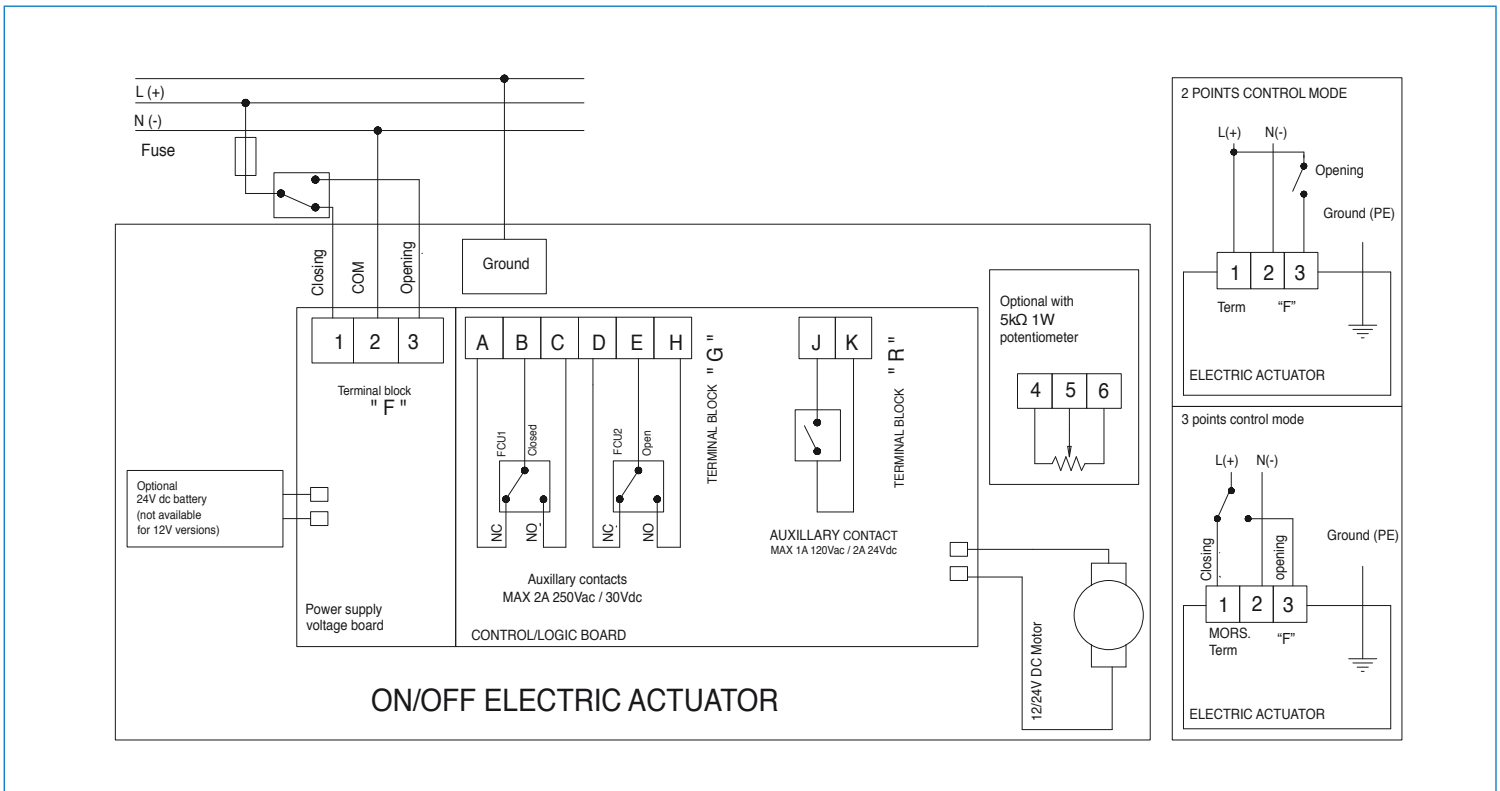
## DIMENSIONS



SIZE	A	B	C	D	E	F	G	H	ACT.
1-1/2"	13.54	16.51	4.74	6.34	7.36	2.48	4.88	1.61	VB030M
2"	14.17	17.32	4.74	6.34	7.36	2.48	4.88	1.65	VB030M
2-1/2"	14.72	18.22	5.49	6.34	7.36	2.48	4.88	1.70	VB030M
3"	14.96	18.70	6.00	6.34	7.36	2.48	4.88	1.78	VB030M
4"	16.53	21.02	7.50	6.93	7.76	2.48	5.28	2.05	VB060M
5"	18.02	23.02	8.50	10.63	10.48	6.50	3.98	2.14	VB110M
6"	18.58	24.05	9.50	10.63	10.48	6.50	3.98	2.19	VB190M
8"	21.96	28.85	11.75	10.83	10.98	7.24	3.74	2.38	VB270M
10"	21.22	29.21	14.25	10.83	10.98	7.24	3.74	2.58	VB350M
12"	CONSULT FACTORY								

## ON/OFF WIRING DIAGRAM

12V AC/DC, 24V AC/DC & 100-240VAC



## POSITIONER WIRING DIAGRAM

12V AC/DC, 24V AC/DC & 100-240VAC

