



JOB NAME:	CONTRACTOR:
JOB LOCATION:	APPROVAL:
ENGINEER:	CONTRACTOR P.O.:
APPROVAL:	REPRESENTATIVE:

MEN500S-0*

RUBBER-LINED DIRECT MOUNT, WAFER STYLE BUTTERFLY VALVE WITH EPDM SEATS AND SS DISC WITH VALBIA METAL ELECTRIC ACTUATOR SIZES 1-1/2" TO 12"

ME530S - VITON | ME540S - BUNA

*001	12V AC/DC	*002	24V AC/DC	*003	100-240VAC
01	BATTERY BACKUP	*02*	POSITIONER	*04*	BAT. BACKUP W POS

SPECIFICATIONS

Bonomi North America series MEN500S packages, include cast iron, epoxy coated, wafer style, resilient EPDM seat butterfly valves in sizes 1 1/2" - 12" are NSF/ANSI 61/372 certified.

This series shall offer a dual stem design and ISO 5211/DIN3337 direct mounting for high cycle automation capabilities.

In addition, the MEN500S series features a phenolic-backed cartridge seat design which offers a 250CWP maximum pressure rating, dead-end service to 100 PSI, and conforms to ANSI B16.1 and ANSI B16.5

The MEN500S series also includes a rugged aluminum polyester powder coated metal housing NEMA 4 electric actuator, with standard features such as 2 extra limit switches, heater and thermostat, torque limiter, dual voltages, bubble type position indicator and a 75% duty cycle motor.

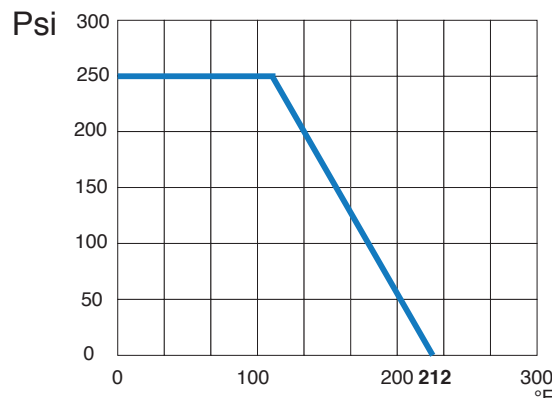
ACTUATOR FEATURES

- Dual Voltages
- CSA, UL approved
- 24V AC/DC and 100-240V AC
- ISO 5211 dual patterns
- 75% Duty Cycle
- High-Strength, Die Cast Aluminum Powder Coated Housing
- Temperature Range -4°F to 131°F
- NEMA 4 Housing
- Two Auxiliary Switches Standard
- Torque limiter standard
- 1/2" Conduit connections

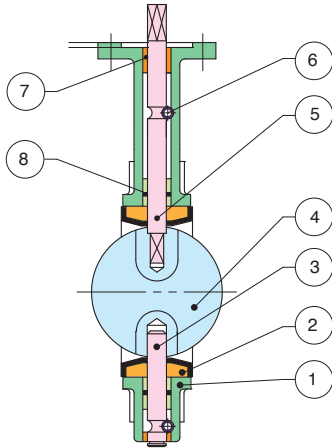
VALVE FEATURES

- Sizes 1-1/2" to 12"
- ISO 5211 Direct Mount/Square Stem
- Epoxy coated Ductile Iron Wafer body
- Stainless steel disc
- EPDM resilient seat (-30°F TO 250°F)
- 530S - VITON seats (10°F TO 300°F)
- 540S - BUNA seats (10°F TO 250°F)
- API609 face to face flange
- Floating dual shaft disc design
- MSS SP 67 compliant
- No pins in disc prevent potential leak points
- NSF/ANSI 61, 372 approved

PRESSURE TEMPERATURE CHART FOR N500S

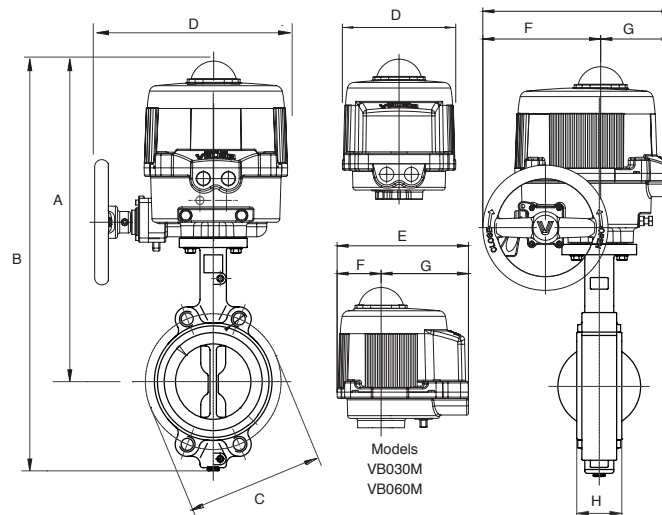


BILL OF MATERIALS FOR N500S



N POS	PART NAME	MODEL	MATERIAL	N PCS
1	BODY		CAST IRON	1
2	SEAT	N500S	EPDM (-30°F TO 250°F)	1
		530S	VITON (10°F TO 300°F)	
		540S	BUNA (10°F TO 250°F)	
3	LOWER SHAFT		SS416	1
4	DISC		STAINLESS STEEL	1
5	UPPER SHAFT		SS416	1
6	LOCATING PIN		CARBON STEEL	1
7	BUSHING		P.T.F.E.	1
8	O-RING		EPDM	1
9	LEVER		EPOXY-COATED CARBON STEEL	1

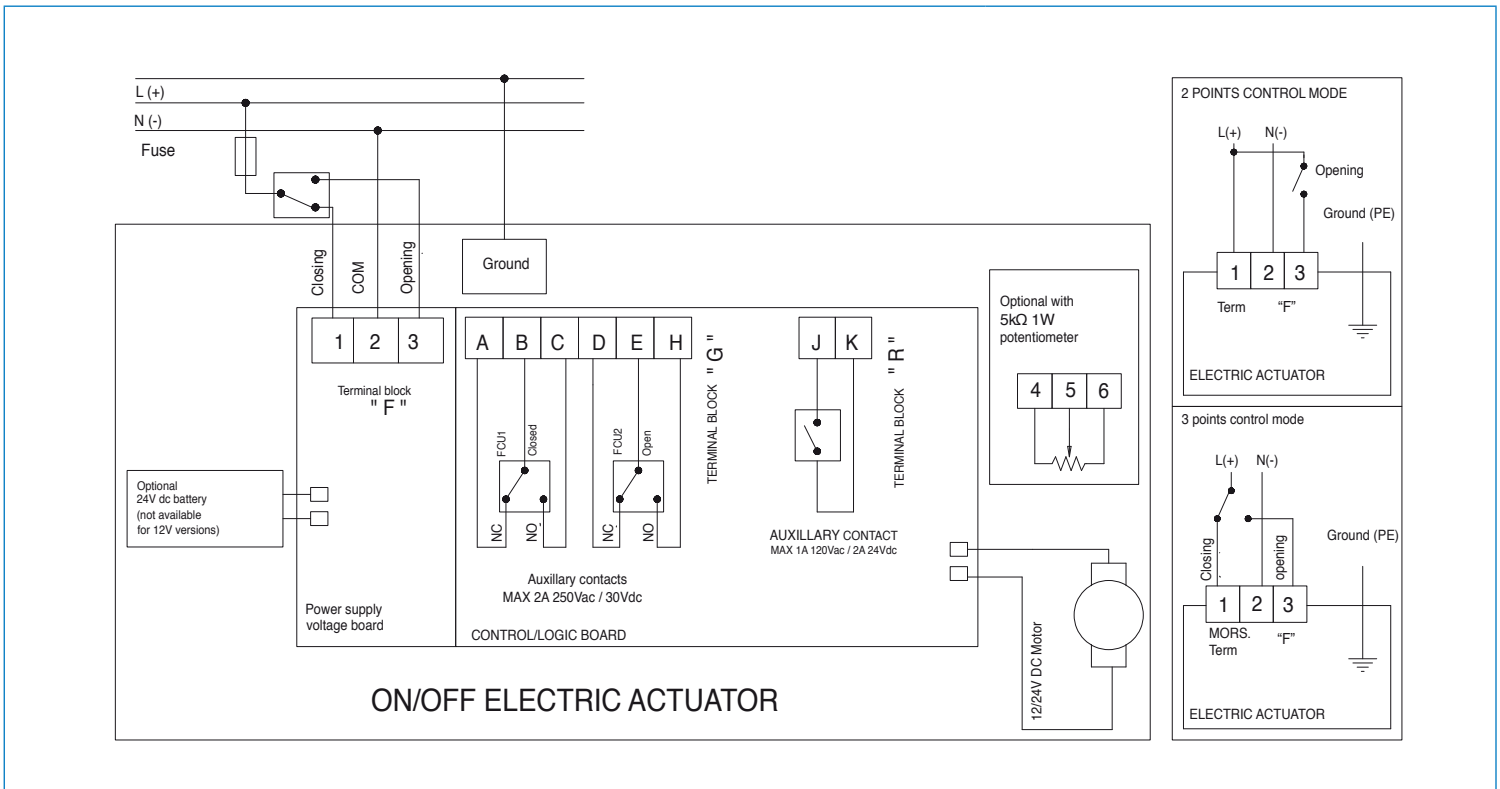
DIMENSIONS



SIZE	A	B	C	D	E	F	G	H	ACT.
1-1/2"	13.54	16.51	4.74	6.34	7.36	2.48	4.88	1.61	VB030M
2"	14.17	17.32	4.74	6.34	7.36	2.48	4.88	1.65	VB030M
2-1/2"	14.72	18.22	5.49	6.34	7.36	2.48	4.88	1.70	VB030M
3"	14.96	18.70	6.00	6.34	7.36	2.48	4.88	1.78	VB030M
4"	16.53	21.02	7.50	6.93	7.76	2.48	5.28	2.05	VB060M
5"	18.02	23.02	8.50	10.63	10.48	6.50	3.98	2.14	VB110M
6"	18.58	24.05	9.50	10.63	10.48	6.50	3.98	2.19	VB190M
8"	21.96	28.85	11.75	10.83	10.98	7.24	3.74	2.38	VB270M
10"	21.22	29.21	14.25	10.83	10.98	7.24	3.74	2.58	VB350M
12"	CONSULT FACTORY								

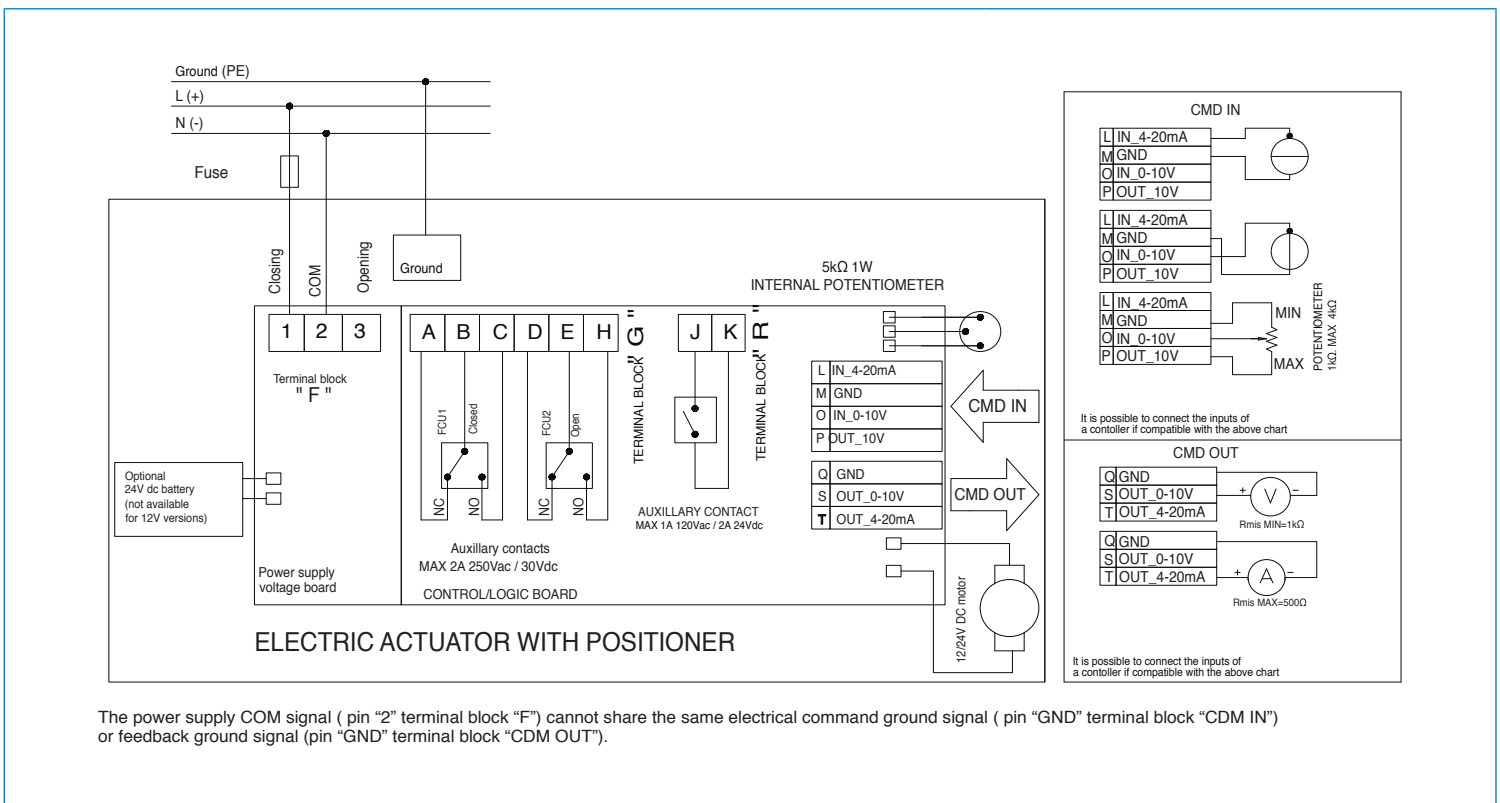
ON/OFF WIRING DIAGRAM

12V AC/DC, 24V AC/DC & 100-240VAC



POSITIONER WIRING DIAGRAM

12V AC/DC, 24V AC/DC & 100-240VAC



The power supply COM signal (pin "2" terminal block "F") cannot share the same electrical command ground signal (pin "GND" terminal block "CDM IN") or feedback ground signal (pin "GND" terminal block "CDM OUT").