

**For Residential and Commercial Applications**

Job Name		Engineer / Architect	
Job Location		Wholesaler	
Submittal Date		Contractor	

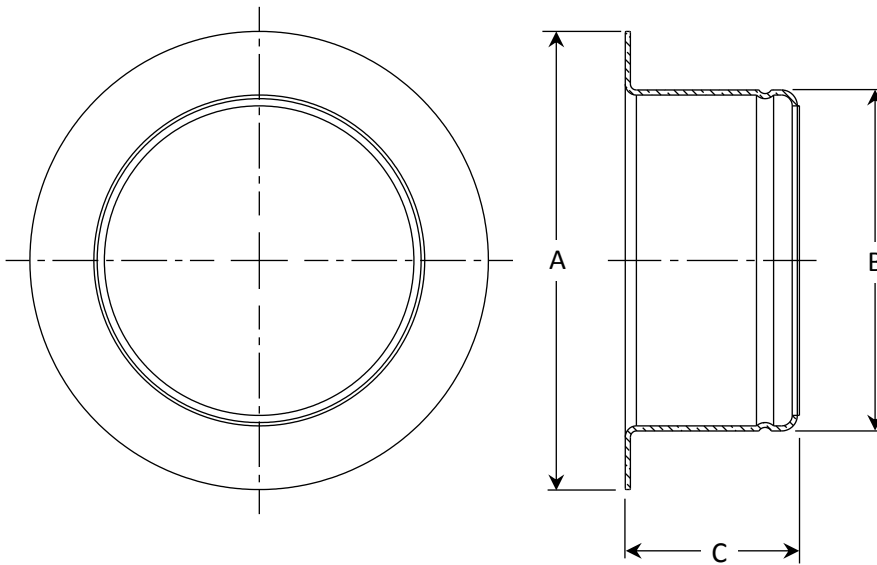
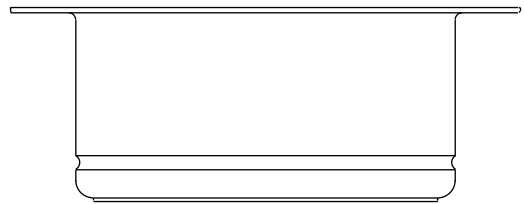
## BC7125 Garbage Disposal Accessory – Flange

**Design Features:**

- Easy to install
- Available in several special finishes for brands In-Sink-Erator, KitchenAid, Emerson, Kenmore, and Grainger

MATERIAL SPECIFICATIONS	
<b>Flange</b>	Brass

PART DIMENSIONS (Inches)			
Model	DIA. A	DIA. B	DIM. C
BC7125	4.50	3.35	1.71



**Part Listing:**

- BC7125 NS Garbage disposal flange, satin nickel
- BC7125 BZ Garbage disposal flange, oil rubbed bronze
- BC7125 SS Garbage disposal flange, stainless steel PVD
- BC7125 W Garbage disposal flange, white

*This specification and all information contained herein is the confidential and exclusive property of BrassCraft Manufacturing, and shall not be disclosed to others without the written consent of BrassCraft Mfg. This specification must be returned to BrassCraft Mfg if requested.*

