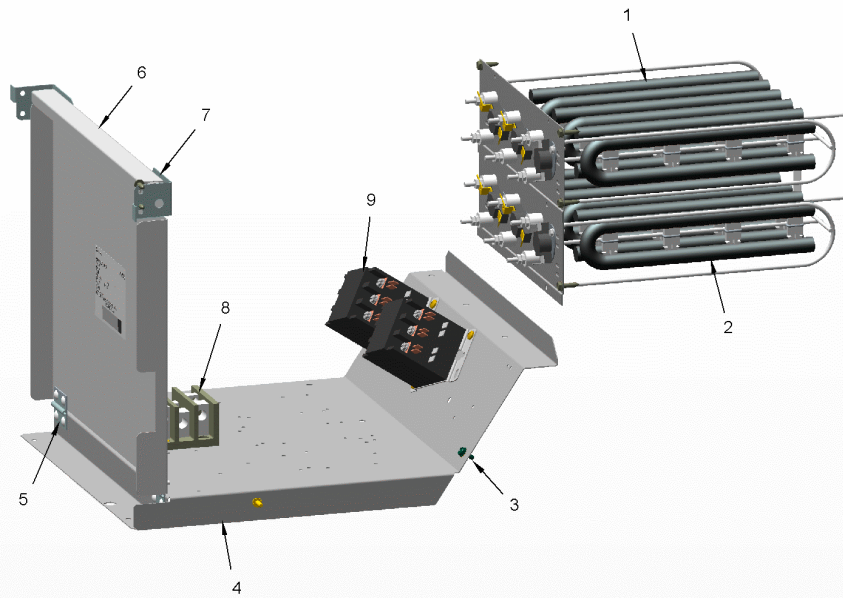


ELECTRIC HEAT

75011712

REV.  
A

The quantity of components shown vary by model.



This is a typical illustration. The unit in the field may not appear exactly as shown.

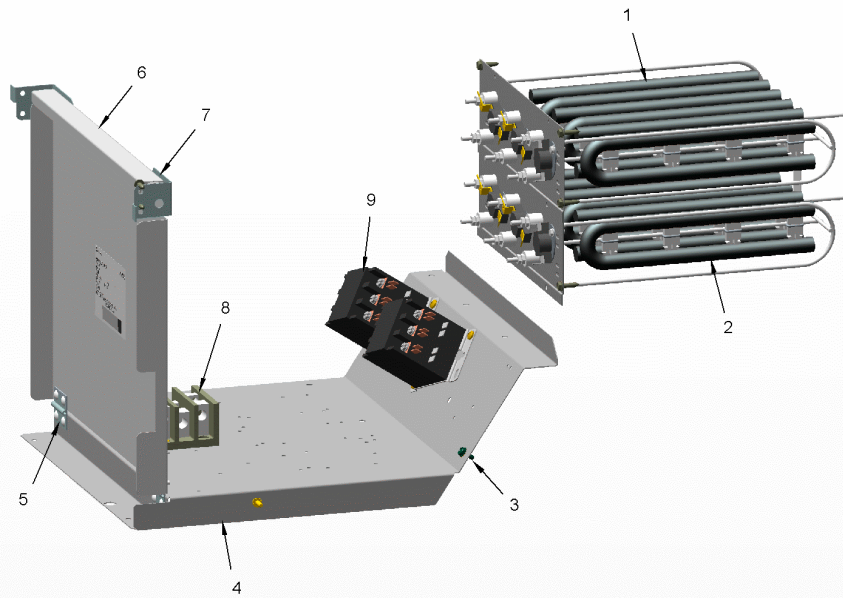
Part No.	Reference No.	Quantity	Description
75011712_HTRYUP1_170551~P	*		ELECTRIC HEATER PARTS LIST

ELECTRIC HEAT

75011712

REV.  
A

The quantity of components shown vary by model.



This is a typical illustration. The unit in the field may not appear exactly as shown.

Part No.	Reference No.	Quantity	Description
CAT00043	*	2	CATCH; MAGNETIC SNAP-IN
CON00077	*	1	CONNECTOR, ELECTRIC GROUND, 14-2 AWG SOLDERLESS
ELM09319	1	1	ELEMENT; HTG-FR-8.7KW 480V
HTR06498	2	1	HEATER; ELEMENT ASSEMBLY, 14.3 KW, 480/60/3
SCR01562	3	1	SCREW; 10-32 X .50 TR HEX WSHR HD DARK GREEN COATED
PLT03580	4a	1	PLATE; MOUNTING, ELECTRIC COMPONENTS
SUP04510	4b	1	SUPPORT; ELECTRIC HEATER, .187 DIA GALVANIZED STEEL, 17.42 LENGTH
HNG00051	5	2	HINGE; 1.42 X 1.50 LG
PNL22158	6	1	PANEL; HINGED, ELECTRIC HEAT, 14.84 X 12.88
BRK03601	7	2	BRACKET; DOOR STOP, ELECTRIC HEAT
TER00160	8	1	TERMINAL; BLOCK, 3 POLE, 175A, 600V, PRESSURE LUGS
CTR01870	9	2	CONTACTOR; 3 POLE, 30 FLA, W/O LUGS, 50/60 HZ, 24V COIL