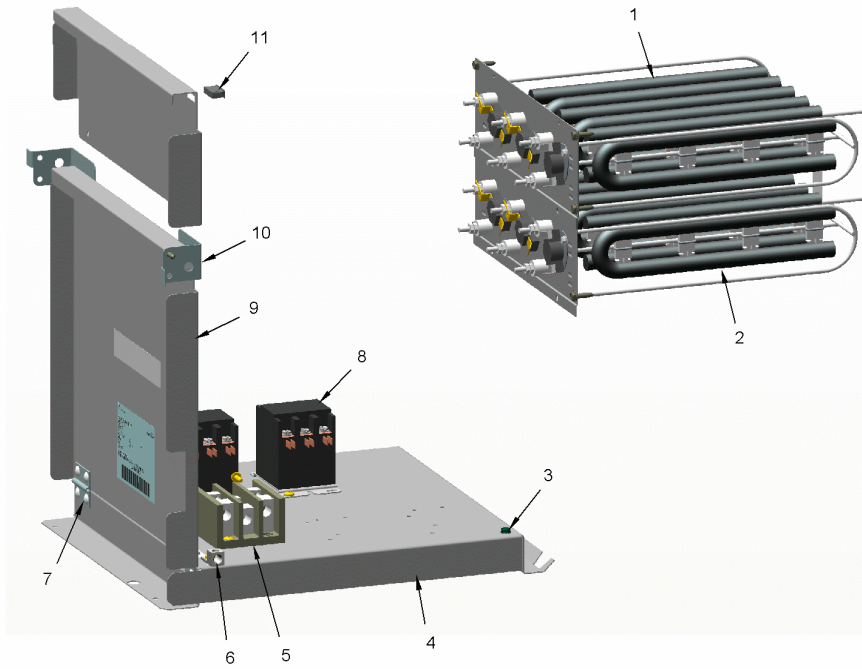


ELECTRIC HEAT

75011710

REV.  
A



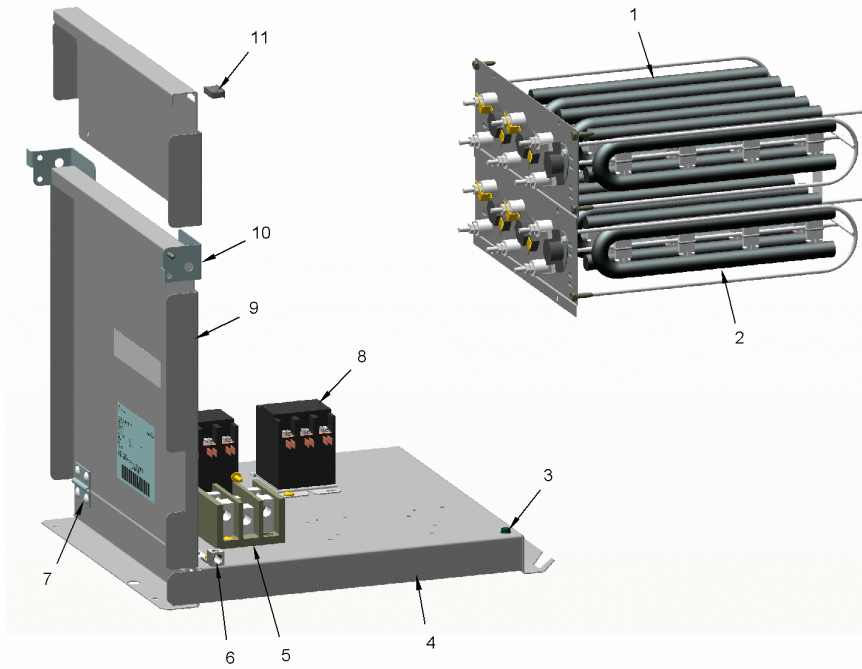
This is a typical illustration. The unit in the field may not appear exactly as shown.

Part No.	Reference No.	Quantity	Description
75011710_HTRYUP1_345156~P	*		ELECTRIC HEATER PARTS LIST

ELECTRIC HEAT

75011710

REV.  
A



This is a typical illustration. The unit in the field may not appear exactly as shown.

Part No.	Reference No.	Quantity	Description
WIR09124	*	1	WIRE; HARNESS; ELECTRIC HEAT - 12, 17.4 & 23KW, 480-600V/60HZ/3PH
ELM09319	1	1	ELEMENT; HTG-FR-8.7KW 480V
ELM09319	2	1	ELEMENT; HTG-FR-8.7KW 480V
SCR01562	3	1	SCREW; 10-32 X .50 TR HEX WSHR HD DARK GREEN COATED
PNL11950	4	1	PANEL; MOUNTING, ELECTRICAL COMPONENTS, 13.42 X 13.17
TER00160	5	1	TERMINAL; BLOCK, 3 POLE, 175A, 600V, PRESSURE LUGS
CON00077	6	1	CONNECTOR, ELECTRIC GROUND, 14-2 AWG SOLDERLESS
HNG00051	7	2	HINGE; 1.42 X 1.50 LG
CTR01870	8	2	CONTACTOR; 3 POLE, 30 FLA, W/O LUGS, 50/60 HZ, 24V COIL
PNL22159	9	1	PANEL; HINGED, ELECTRIC HEAT, 13.32 X 13.06
BRK03601	10	2	BRACKET; DOOR STOP, ELECTRIC HEAT
CAT00043	11	2	CATCH; MAGNETIC SNAP-IN