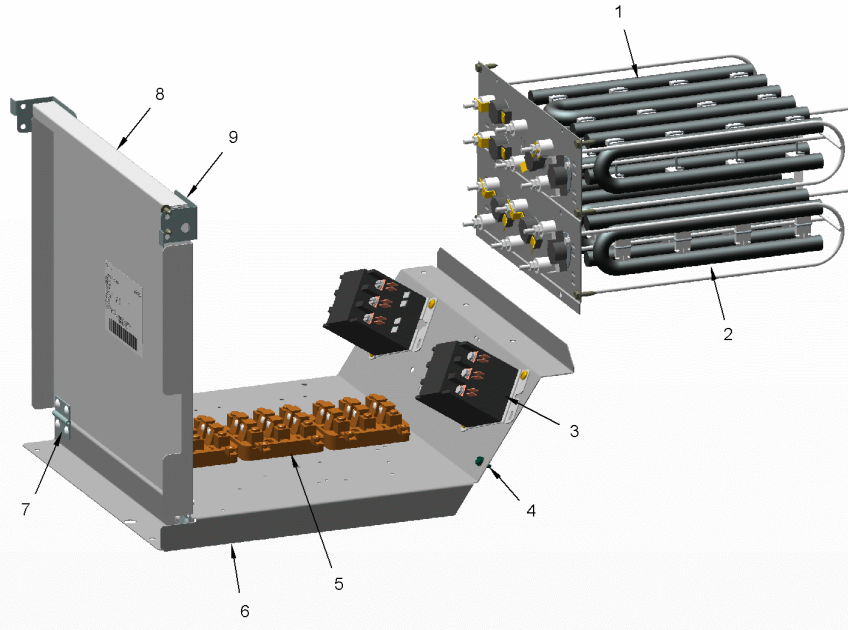


ELECTRIC HEAT

75011711

REV.
A

The quantity of components shown vary by model.



This is a typical illustration. The unit in the field may not appear exactly as shown.

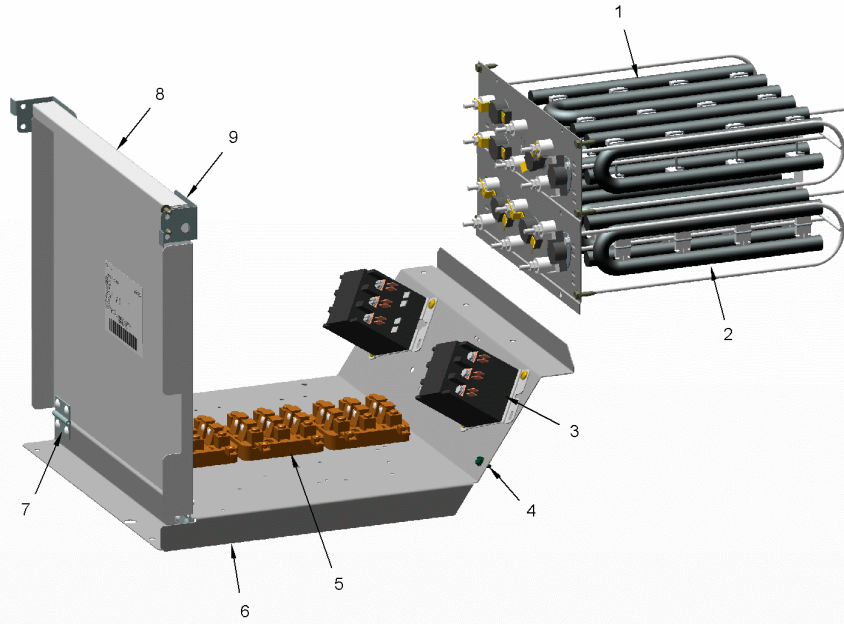
Part No.	Reference No.	Quantity	Description
75011711_HTRYUP1_310273~P	*		ELECTRIC HEATER PARTS LIST

ELECTRIC HEAT

75011711

REV.
A

The quantity of components shown vary by model.



This is a typical illustration. The unit in the field may not appear exactly as shown.

Part No.	Reference No.	Quantity	Description
CAT00043	*	2	CATCH; MAGNETIC SNAP-IN
CON00077	*	1	CONNECTOR, ELECTRIC GROUND, 14-2 AWG SOLDERLESS
ELM09320	1	1	ELEMENT; HTG-FR-8.7KW 240V
HTR06495	2	1	HEATER; ELEMENT ASSEMBLY, 14.3 KW, 240/60/3
CTR00818	3	2	CONTACTOR; 3 POLE, 40 AMP, 24V
SCR01562	4	1	SCREW; 10-32 X .50 TR HEX WSHR HD DARK GREEN COATED
BLK00375	5	3	BLOCK; FUSE, 3 POLE, 31-60 AMP, 300 VOLT
PLT03580	6	1	PLATE; MOUNTING, ELECTRIC COMPONENTS
HNG00051	7	2	HINGE; 1.42 X 1.50 LG
PNL22158	8	1	PANEL; HINGED, ELECTRIC HEAT, 14.84 X 12.88
BRK03601	9	2	BRACKET; DOOR STOP, ELECTRIC HEAT