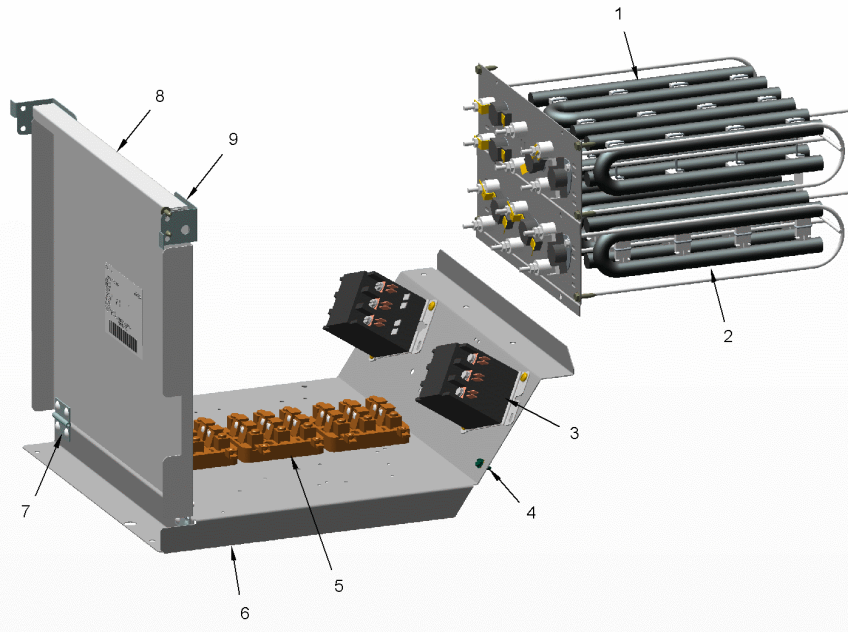


ELECTRIC HEAT

75011711

REV.
A

The quantity of components shown vary by model.



This is a typical illustration. The unit in the field may not appear exactly as shown.

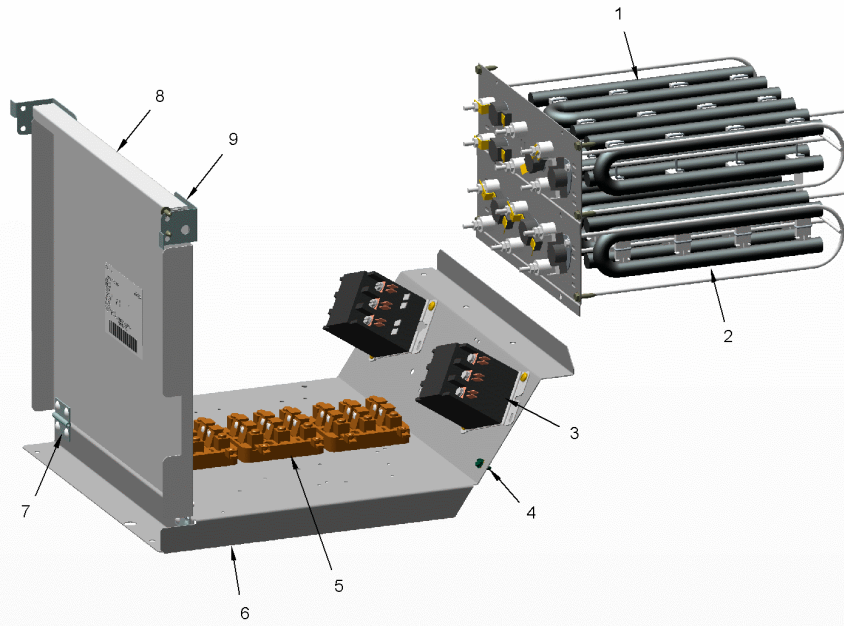
Part No.	Reference No.	Quantity	Description
75011711_HTRYUP1_355410~P	*		ELECTRIC HEATER PARTS LIST

ELECTRIC HEAT

75011711

REV.
A

The quantity of components shown vary by model.



This is a typical illustration. The unit in the field may not appear exactly as shown.

Part No.	Reference No.	Quantity	Description
CAT00043	*	2	CATCH; MAGNETIC SNAP-IN
CON00077	*	1	CONNECTOR, ELECTRIC GROUND, 14-2 AWG SOLDERLESS
WIR04472	*	1	WIRE; HARNESS, 5 KW ELECTRIC HEAT, INCLUDES PLU00325
ELM09320	1	1	ELEMENT; HTG-FR-8.7KW 240V
ELM09320	2	1	ELEMENT; HTG-FR-8.7KW 240V
CTR00793	3	1	CONTACTOR; 2P, 35A INDUCTIVE, 240-600V, 24V COIL,50/60HZ
SCR01562	4	1	SCREW; 10-32 X .50 TR HEX WSHR HD DARK GREEN COATED
FUS00690	5	4	FUSE; FAST ACTING, 300VAC, JJN-60, 60 AMP
PLT03580	6	1	PLATE; MOUNTING, ELECTRIC COMPONENTS
HNG00051	7	2	HINGE; 1.42 X 1.50 LG
PNL22158	8	1	PANEL; HINGED, ELECTRIC HEAT, 14.84 X 12.88
BRK03601	9	2	BRACKET; DOOR STOP, ELECTRIC HEAT