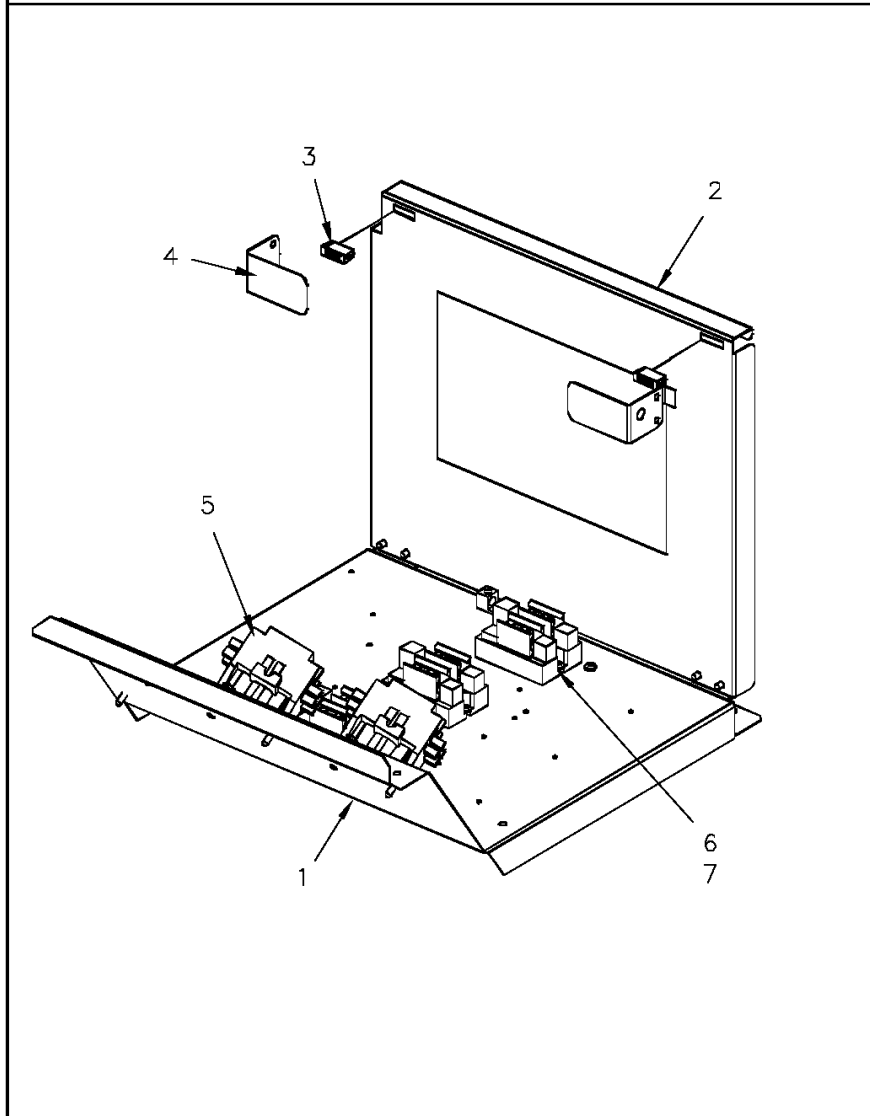


Heater

75008440

REV  
A

Typical illustration. Unit may not appear exactly as shown.



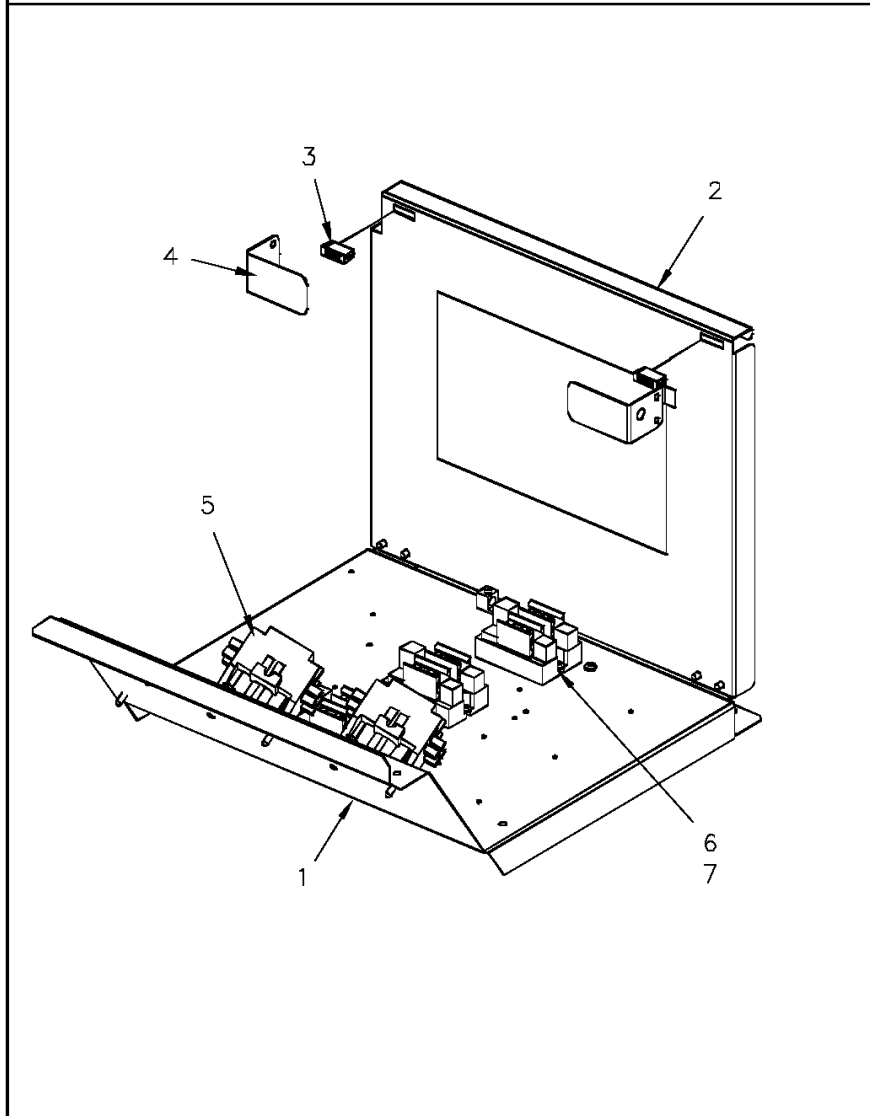
Part No.	Reference No.	Quantity	Description
75008440_HTRXUP1_250651~P	*		HTRXUP1 PARTS LIST

Heater

75008440

REV  
A

Typical illustration. Unit may not appear exactly as shown.



Part No.	Reference No.	Quantity	Description
HNG00051	*	2	HINGE; 1.42 X 1.50 LG
HTR06215	*	1	HEATER; ACCESSORY, 208-240/60/1, 3.8/5.0 KW (BAYHTRX105AA)
HTR06491	*	1	HEATER; ELEMENT ASSEMBLY, 5 KW, 240V, 240/60/1
LUG00012	*	1	LUG, GROUND
PLU00325	*	1	PLUG; CONNECTOR, POLARIZED, 9 PIN MALE, NYLON, NATURAL COLOR
WIR04472	*	1	WIRE; HARNESS, 5 KW ELECTRIC HEAT, INCLUDES PLU00325
PLT03580	1	1	PLATE; MOUNTING, ELECTRIC COMPONENTS
PNL22158	2	1	PANEL; HINGED, ELECTRIC HEAT, 14.84 X 12.88
CAT00043	3	2	CATCH; MAGNETIC SNAP-IN
BRK03601	4	2	BRACKET; DOOR STOP, ELECTRIC HEAT
CTR00793	5	1	CONTACTOR; 2P, 35A INDUCTIVE, 240-600V, 24V COIL,50/60HZ
FUS01764	6	2	FUSE; FUSEBLOCK ASSEMBLY, 2 POLE, 60 AMP, 300V, CLASS T
FUS00690	7	4	FUSE; FAST ACTING, 300VAC, JJN-60, 60 AMP