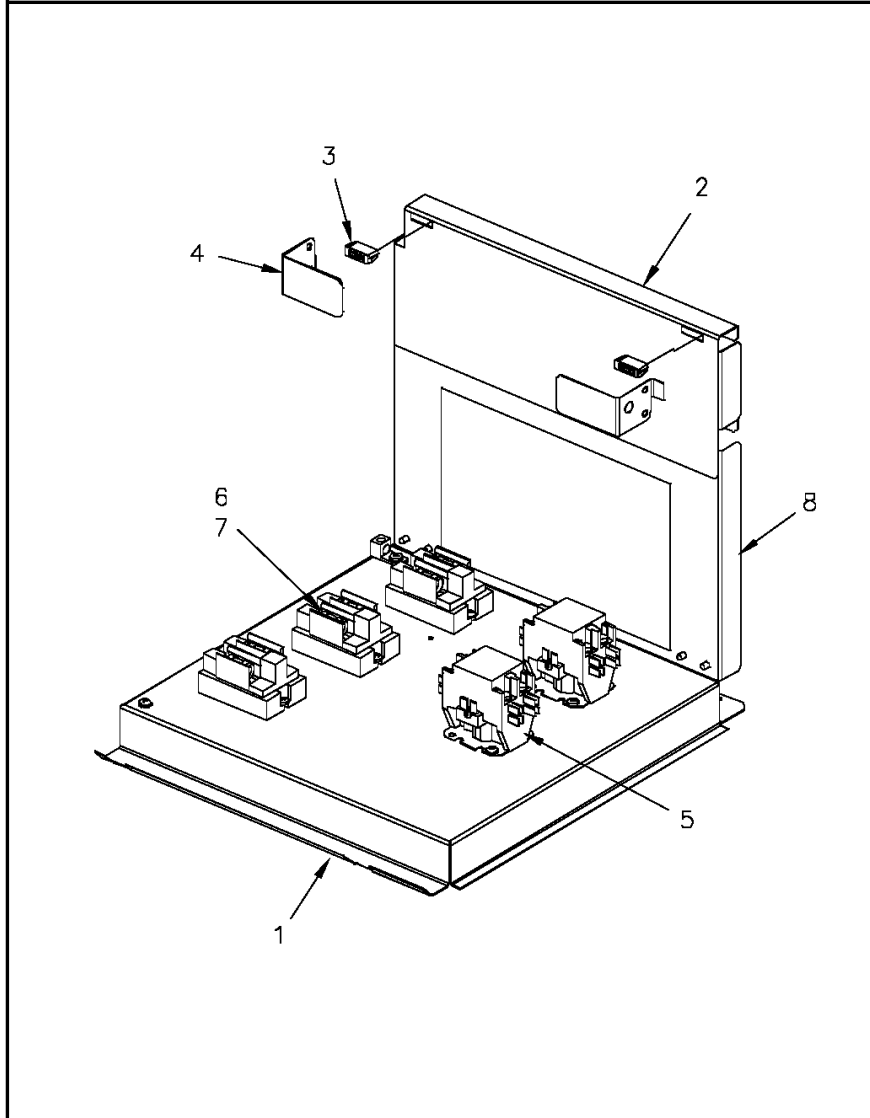


Electric Heater Panel

75008521

REV
A

Typical illustration. Unit may not appear exactly as shown.



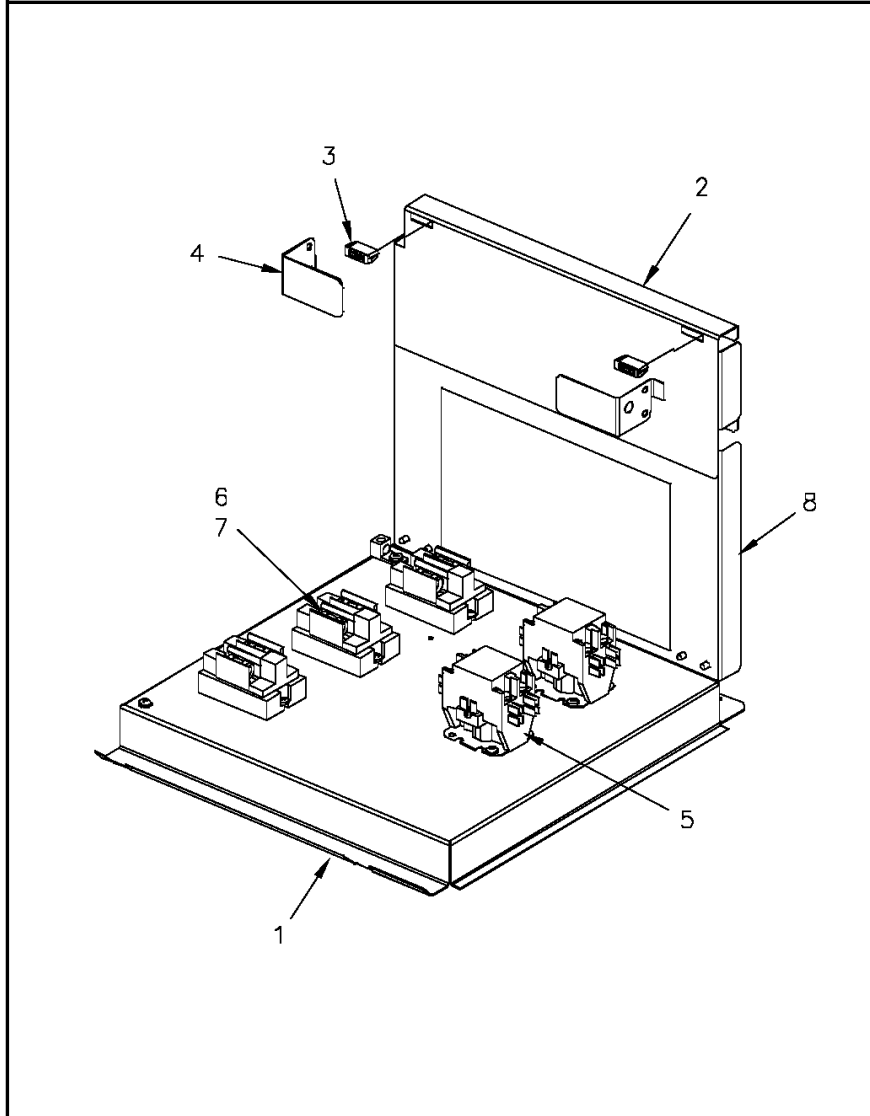
| Part No. | Reference No. | Quantity | Description |
|----------------------------|---------------|----------|---------------------|
| 75008521_HTRUP118_317852~P | * | | HTRUP118 PARTS LIST |

Electric Heater Panel

75008521

REV
A

Typical illustration. Unit may not appear exactly as shown.



| Part No. | Reference No. | Quantity | Description |
|----------|---------------|----------|--|
| HNG00051 | * | 2 | HINGE; 1.42 X 1.50 LG |
| HTR03530 | * | 1 | HEATER; ELEMENT ASSEMBLY, 8.7 KW, 240V, 3 PHASE |
| HTR03531 | * | 1 | HEATER; ELEMENT ASSEMBLY, 14.3 KW, 240V, 3 PHASE |
| HTR09218 | * | 1 | HEATER; ELECTRIC, 23 KW, 240/60/3 (BAYHTRR323BA) |
| PLU00325 | * | 1 | PLUG; CONNECTOR, POLARIZED, 9 PIN MALE, NYLON, NATURAL COLOR |
| PNL11950 | 1 | 1 | PANEL; MOUNTING, ELECTRICAL COMPONENTS, 13.42 X 13.17 |
| PNL22462 | 2 | 1 | PANEL; ACCESS, ELECTRIC HEAT, UPPER, 13.32 X 5.43 |
| CAT00043 | 3 | 2 | CATCH; MAGNETIC SNAP-IN |
| BRK03601 | 4 | 2 | BRACKET; DOOR STOP, ELECTRIC HEAT |
| CTR01870 | 5 | 2 | CONTACTOR; 3 POLE, 30 FLA, W/O LUGS, 50/60 HZ, 24V COIL |
| FUS00690 | 6 | 9 | FUSE; FAST ACTING, 300VAC, JJN-60, 60 AMP |
| PNL22461 | 8 | 1 | PANEL; ACCESS, ELECTRIC HEAT, LOWER, 13.32 X 8.34 |