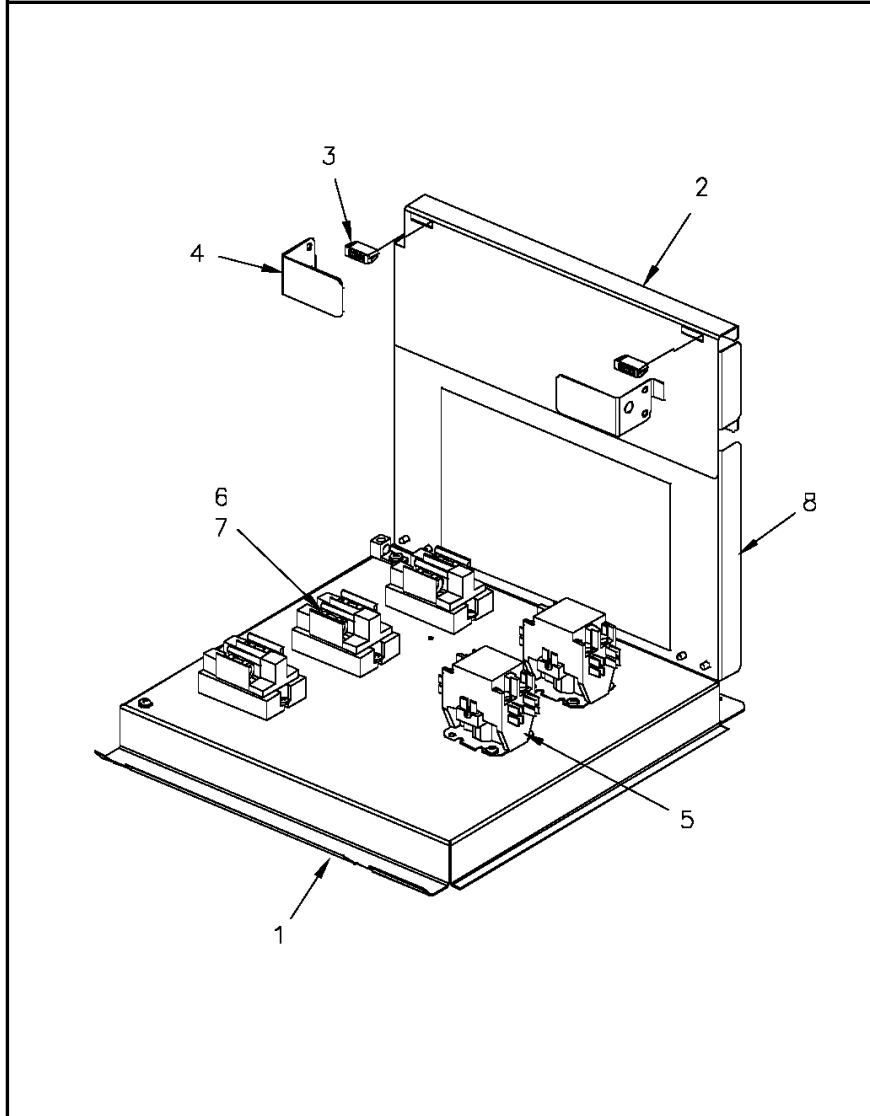


Electric Heater Panel

75008521

REV  
A

Typical illustration. Unit may not appear exactly as shown.



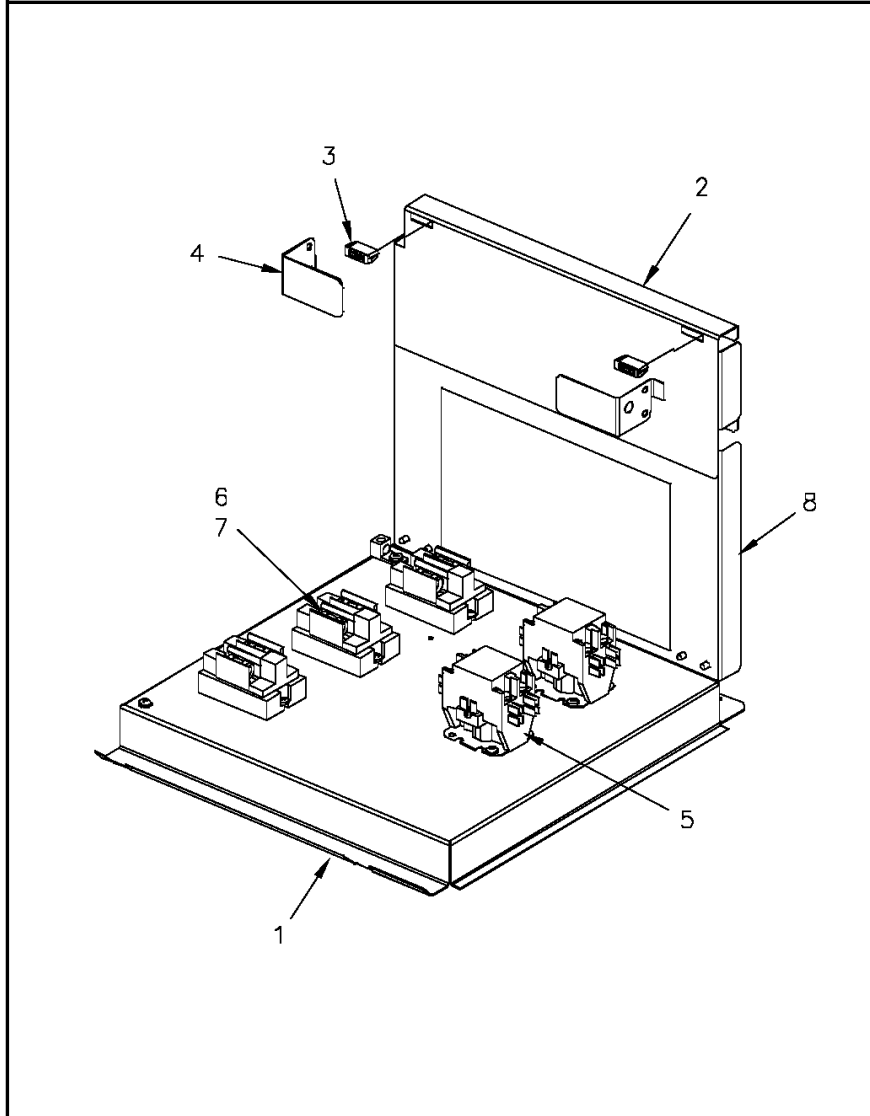
| Part No.                   | Reference No. | Quantity | Description         |
|----------------------------|---------------|----------|---------------------|
| 75008521_HTRUP118_317852~P | *             |          | HTRUP118 PARTS LIST |

Electric Heater Panel

75008521

REV  
A

Typical illustration. Unit may not appear exactly as shown.



| Part No. | Reference No. | Quantity | Description                                                  |
|----------|---------------|----------|--------------------------------------------------------------|
| HNG00051 | *             | 2        | HINGE; 1.42 X 1.50 LG                                        |
| HTR03530 | *             | 1        | HEATER; ELEMENT ASSEMBLY, 8.7 KW, 240V, 3 PHASE              |
| HTR03531 | *             | 1        | HEATER; ELEMENT ASSEMBLY, 14.3 KW, 240V, 3 PHASE             |
| HTR09218 | *             | 1        | HEATER; ELECTRIC, 23 KW, 240/60/3 (BAYHTRR323BA)             |
| PLU00325 | *             | 1        | PLUG; CONNECTOR, POLARIZED, 9 PIN MALE, NYLON, NATURAL COLOR |
| PNL11950 | 1             | 1        | PANEL; MOUNTING, ELECTRICAL COMPONENTS, 13.42 X 13.17        |
| PNL22462 | 2             | 1        | PANEL; ACCESS, ELECTRIC HEAT, UPPER, 13.32 X 5.43            |
| CAT00043 | 3             | 2        | CATCH; MAGNETIC SNAP-IN                                      |
| BRK03601 | 4             | 2        | BRACKET; DOOR STOP, ELECTRIC HEAT                            |
| CTR01870 | 5             | 2        | CONTACTOR; 3 POLE, 30 FLA, W/O LUGS, 50/60 HZ, 24V COIL      |
| FUS00690 | 6             | 9        | FUSE; FAST ACTING, 300VAC, JJN-60, 60 AMP                    |
| PNL22461 | 8             | 1        | PANEL; ACCESS, ELECTRIC HEAT, LOWER, 13.32 X 8.34            |