

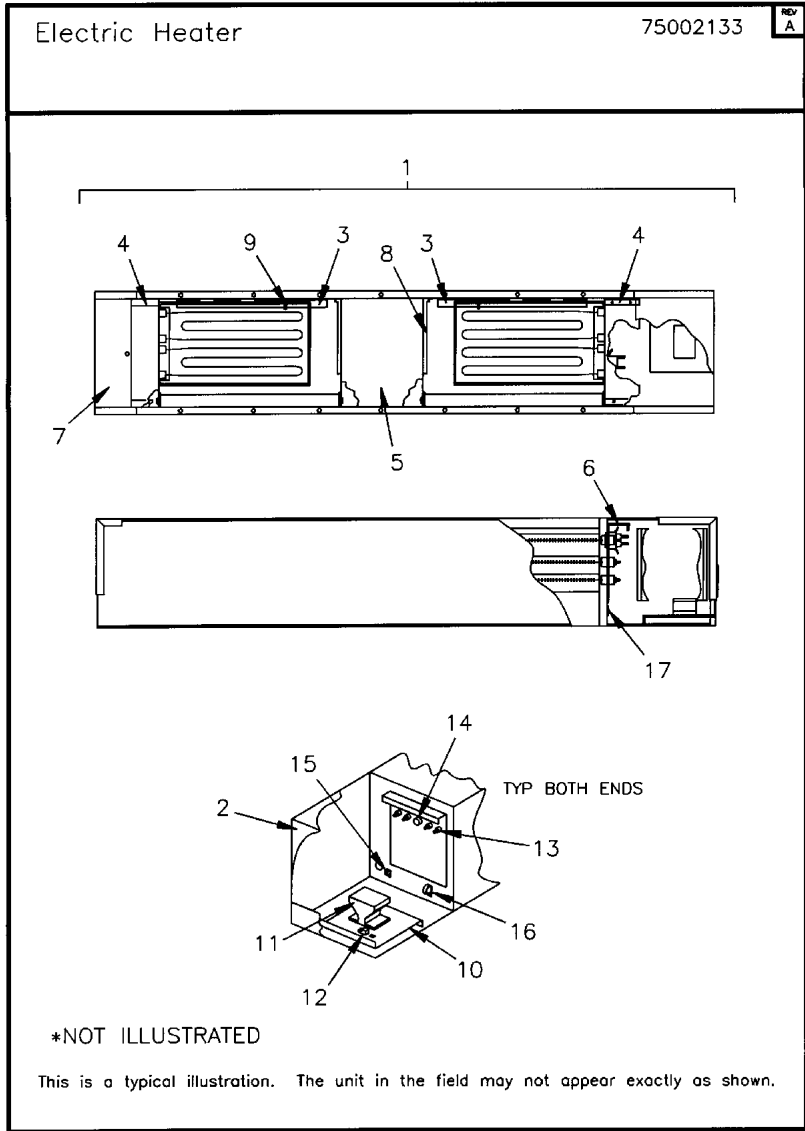
Part No.	Reference No.	Quantity	Description
75002133#HTRUP87~S	*		GENERAL ASSEMBLY
HTR8700_HTRUP87_273601~P	*		HTRUP87 PARTS LIST

NO GRAPHIC AVAILABLE

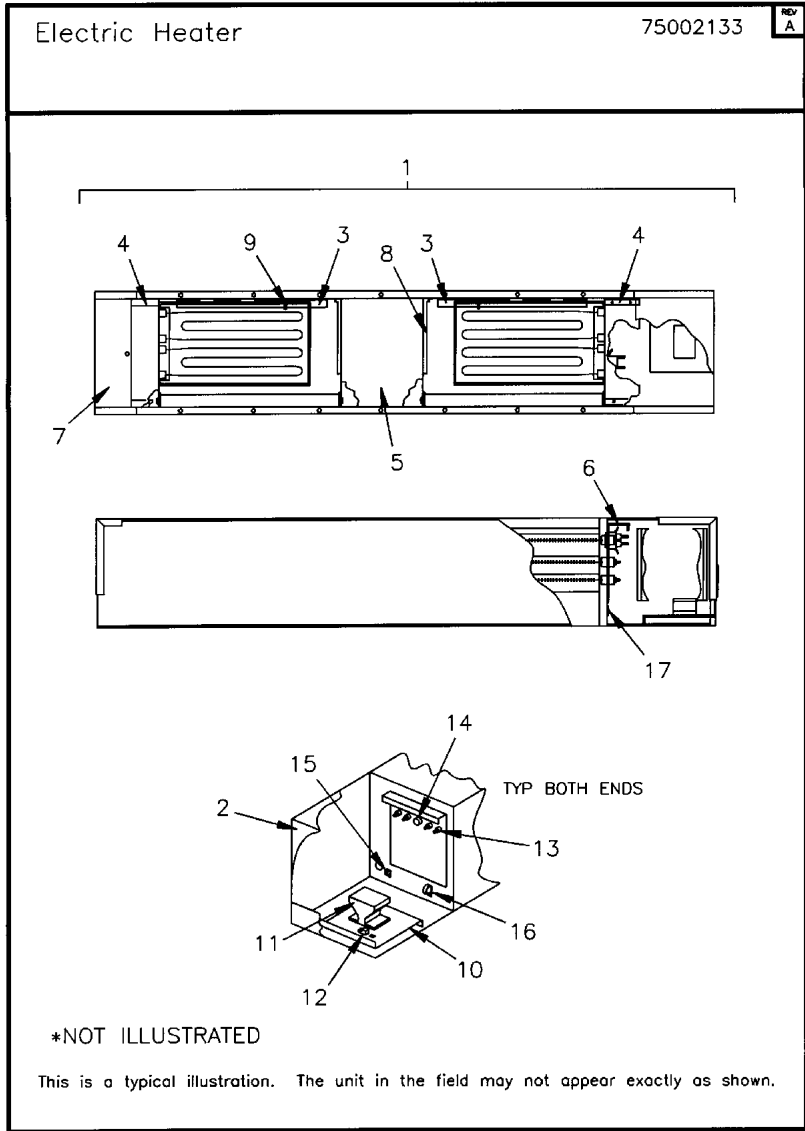
75013702

REV
A

**NO
GRAPHIC
AVAILABLE**



Part No.	Reference No.	Quantity	Description
75002133_HTRUP87_273602~P	*		GENERAL ASSEMBLY PARTS LIST



Part No.	Reference No.	Quantity	Description
BUS00314	*	2	BUSHING; SNAP
CON00241	*	3	CONNECTOR; WIRE
GKT01994	*	1	GASKET; 1/8 X 1/2 X ROLL
NUT00489	*	1	NUT; MACHINE, 10-32
SCR01017	*	1	SCREW; 10-32 MA BI 1/2 S
WAS00647	*	0	WASHER; TOOTH LOCK, #10
WIR00975	*	1	WIRE;ASSEMBLY
HTR02325	1	1	HEATER; ELECTRIC, SUPPLEMENTARY
COV01300	2	1	COVER;HEATER
ANG00363	3	2	ANGLE; HEATER
ANG00215	4	4	ANGLE;
PNN00827	5	1	PANEL; HEATER CENTER
PLT01136	6	2	PLATE;HEATER
COV01178	7	1	COVER; HEATER
PNN00480	8	2	PANEL; WRAPPER
SUP01115	9	2	SUPPORT; HEATER
SUP01114	10	1	SUPPORT;
CTR00522	11	1	CONTACTOR; 30 AMP, 24V COIL, 3 POLE
LUG00012	12	1	LUG, GROUND
HTR01543	13	2	HEATER; ELECTRIC, 460V, 5.0 KW PER RACK
THT00805	14	2	THERMOSTAT; OPEN 140F, RESET 110F, DPST, 240/480/600V
CMP00248	15	1	CLAMP; CABLE
CMP00247	16	3	CLAMP; CABLE
BUS00316	17	4	BUSHING; SNAP, 1.09 INCH OD X 0.94 ID, MAX PANEL THICKNESS 0.125, BLACK NYLON