

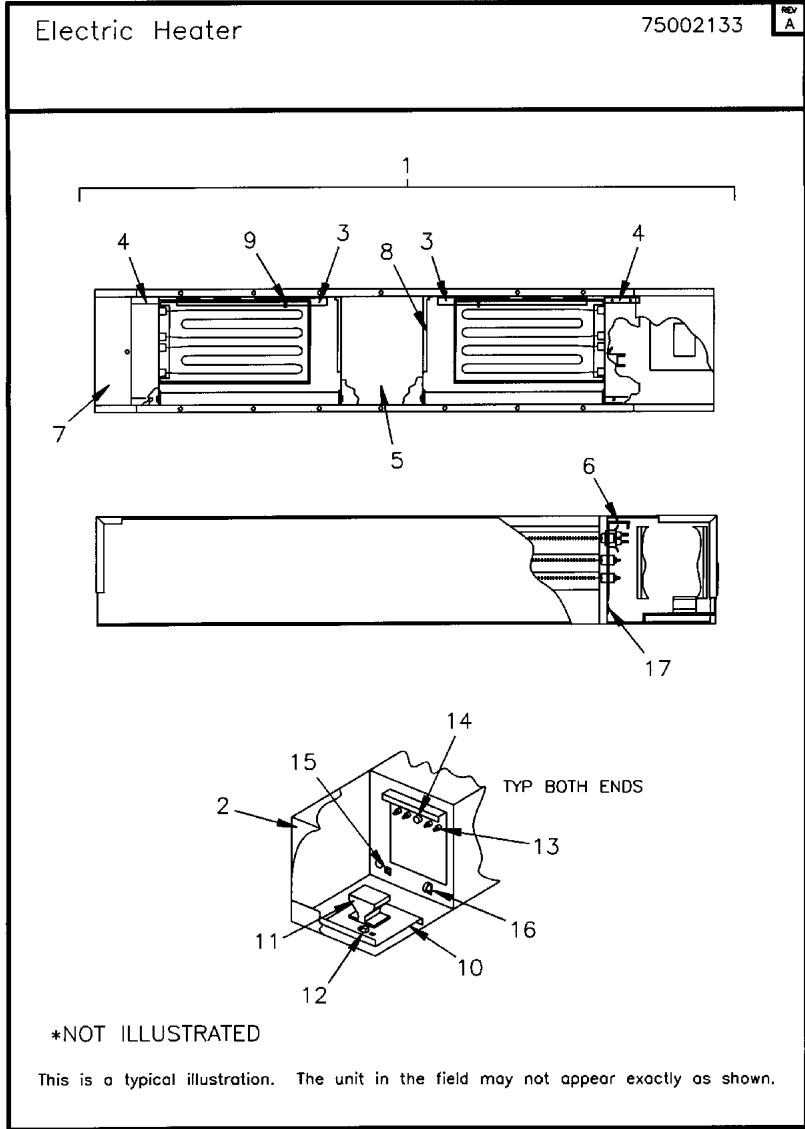
Part No.	Reference No.	Quantity	Description
75002133#HTRUP77~S	*		GENERAL ASSEMBLY
HTR7700_HTRUP77_253625~P	*		HTRUP77 PARTS LIST

NO GRAPHIC AVAILABLE

75013702

REV
A

**NO
GRAPHIC
AVAILABLE**



Part No.	Reference No.	Quantity	Description
75002133_HTRUP77_361694~P	*		GENERAL ASSEMBLY PARTS LIST

Part No.	Reference No.	Quantity	Description
BUS00314	*	2	BUSHING; SNAP
GKT01994	*	1	GASKET; 1/8 X 1/2 X ROLL
NUT00489	*	1	NUT; MACHINE, 10-32
SCR01017	*	1	SCREW; 10-32 MA BI 1/2 S
TER00312	*	0	TERMINAL; 8IN. TIE CABLE
WAS00647	*	1	WASHER; TOOTH LOCK, #10
WIR00971	*	1	WIRE;ASSEMBLY
HTR02317	1	1	HEATER, ELECTRIC
COV01299	2	1	COVER; ASSEMBLY, HEATER. INCLUDES (2) HNG00044, COV01180, ANG00217, ANG00218, ANG00219, HDL00021 & SPG00242.
ANG00363	3	2	ANGLE; HEATER
ANG00215	4	4	ANGLE;
PNN00827	5	1	PANEL; HEATER CENTER
PLT01113	6	2	PLATE;HEATER FRONT
COV01178	7	1	COVER; HEATER
PNN00480	8	2	PANEL; WRAPPER
SUP01115	9	2	SUPPORT; HEATER
SUP01114	10	1	SUPPORT;
CTR00522	11	1	CONTACTOR; 30 AMP, 24V COIL, 3 POLE
LUG00012	12	1	LUG, GROUND
HTR01532	13	2	HEATER; 5.0 KW, 240 VOLT, 257 DEG F
THT00800	14	2	THERMOSTAT; OPEN 145F, RESET 110F, SPST, 24VAC
CMP00247	15	3	CLAMP; CABLE
CMP00248	16	1	CLAMP; CABLE
BUS00316	17	4	BUSHING; SNAP, 1.09 INCH OD X 0.94 ID, MAX PANEL THICKNESS 0.125, BLACK NYLON