

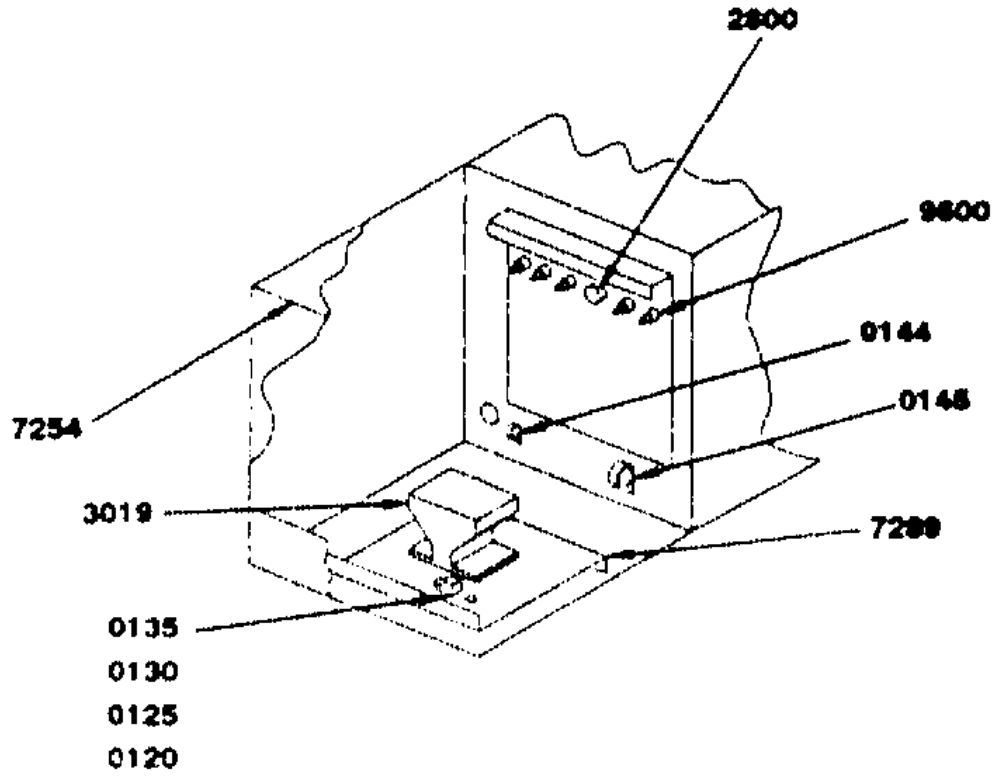
Part No.	Reference No.	Quantity	Description
ACCY-501.H07#HTRUP17A~S	*		CONTROL ASSEMBLY
ACCY-501.G06#HTRUP17A~S	*		GENERAL ASSEMBLY
HTR17_HTRUP17A_441806~P	*		HTRUP17A PARTS LIST
NGRAPHIC#HTRUP17A~S	*		NOT ILLUSTRATED PARTS

NO GRAPHIC AVAILABLE

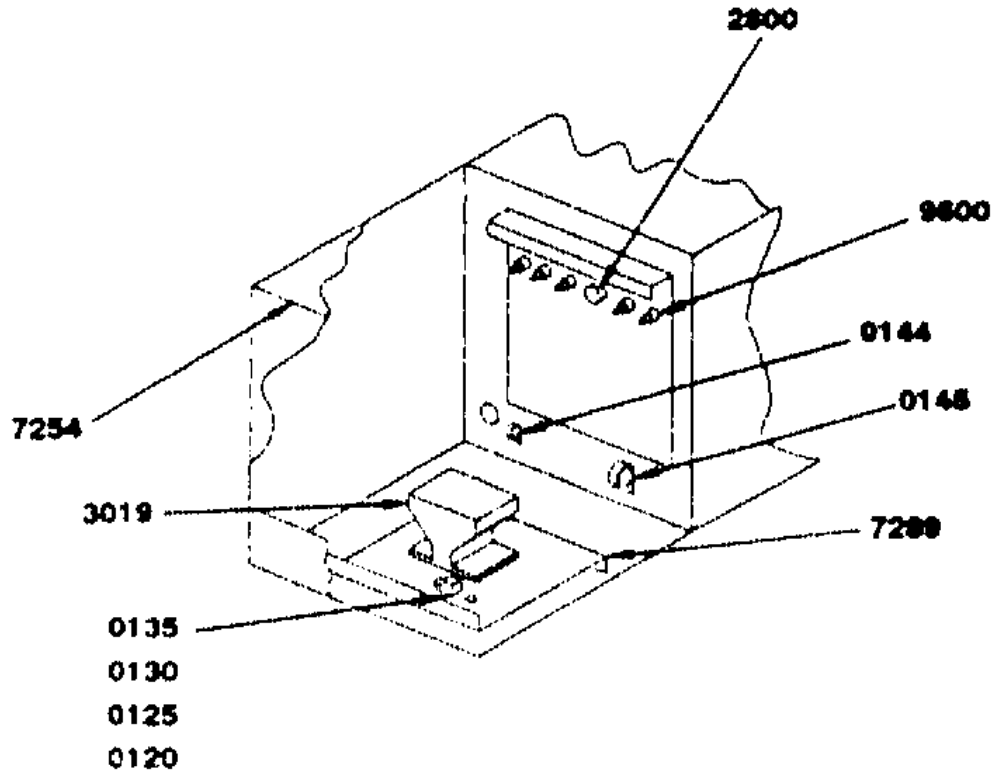
75013702

REV
A

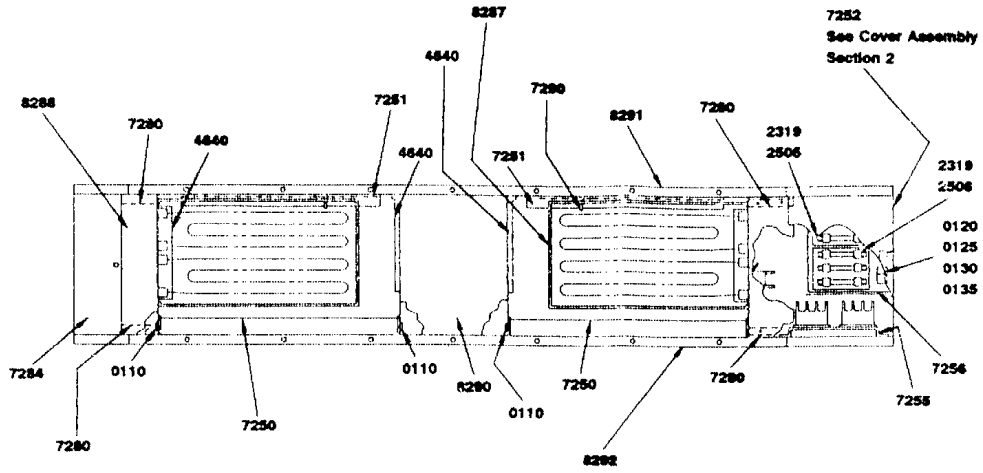
**NO
GRAPHIC
AVAILABLE**



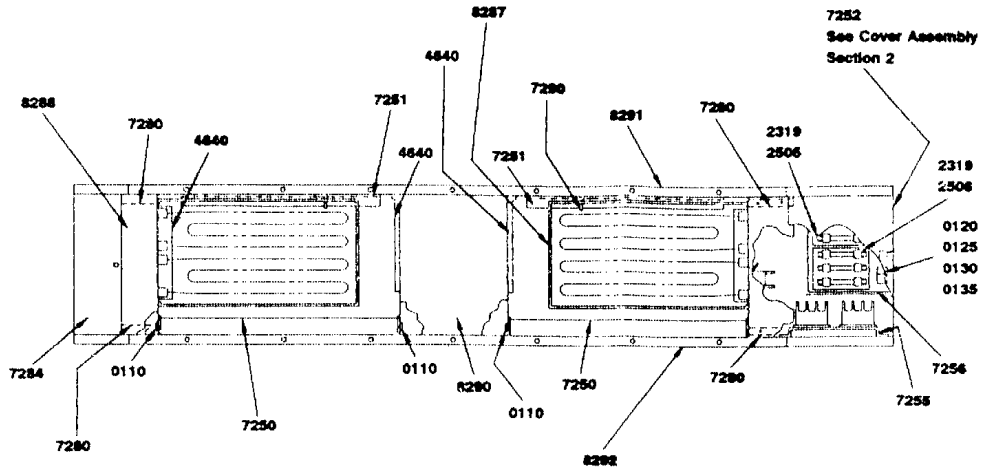
Part No.	Reference No.	Quantity	Description
ACCY- 501.H07_HTRUP17A_619756~P	*		CONTROL ASSEMBLY PARTS LIST



Part No.	Reference No.	Quantity	Description
LUG00012	0120	1	LUG, GROUND
NUT00489	0125	1	NUT; MACHINE, 10-32
WAS00647	0130	1	WASHER; TOOTH LOCK, #10
SCR01017	0135	1	SCREW; 10-32 MA BI 1/2 S
CMP00247	0144	3	CLAMP; CABLE
CMP00248	0145	1	CLAMP; CABLE
THT00800	2800	2	THERMOSTAT; OPEN 145F, RESET 110F, SPST, 24VAC
CTR00522	3019	1	CONTACTOR; 30 AMP, 24V COIL, 3 POLE
COV01300	7254	1	COVER;HEATER
SUP01114	7289	1	SUPPORT;
HTR01532	9600	2	HEATER; 5.0 KW, 240 VOLT, 257 DEG F



Part No.	Reference No.	Quantity	Description
ACCY- 501.G06_HTRUP17A_619754~P	*		GENERAL ASSEMBLY PARTS LIST



Part No.	Reference No.	Quantity	Description
BUS00314	*	2	BUSHING; SNAP
BUS00316	0110	4	BUSHING; SNAP, 1.09 INCH OD X 0.94 ID, MAX PANEL THICKNESS 0.125, BLACK NYLON
LUG00012	0120	1	LUG, GROUND
NUT00489	0125	1	NUT; MACHINE, 10-32
WAS00647	0130	1	WASHER; TOOTH LOCK, #10
SCR01017	0135	1	SCREW; 10-32 MA BI 1/2 S
INS00449	4640	2	INSULATION;
ANG00362	7250	2	ANGLE;HEATER ASM.
ANG00363	7251	2	ANGLE; HEATER
COV01299	7252	1	COVER; ASSEMBLY, HEATER. INCLUDES (2) HNG00044, COV01180, ANG00217, ANG00218, ANG00219, HDL00021 & SPG00242.
SUP01341	7255	1	SUPPORT, CONTACTOR
SUP01342	7256	1	SUPPORT;FUSE BOX
ANG00215	7280	4	ANGLE;
COV01178	7284	1	COVER; HEATER
SUP01115	7290	2	SUPPORT; HEATER
PNN00480	8287	2	PANEL; WRAPPER
PNN00825	8288	1	PANEL;HEATER BACK
PNN00827	8290	1	PANEL; HEATER CENTER
PNN00828	8291	1	PANEL;HEATER
PNN00829	8292	1	PANEL;HEATER

Part No.	Reference No.	Quantity	Description
NGRAPHIC_HTRUP17A_619758 ~P	*		NOT ILLUSTRATED PARTS

NO GRAPHIC AVAILABLE

75013702

REV
A

**NO
GRAPHIC
AVAILABLE**

Part No.	Reference No.	Quantity	Description
GKT01994	*	1	GASKET; 1/8 X 1/2 X ROLL
HTR01588	*	1	HEATER;ASSEMBLY
PLT01113	*	2	PLATE;HEATER FRONT
PNN00826	*	1	PANEL; HEATER FRONT
SCR00984	*	4	SCREW; 8-18 B HXW 1/2 S
TER00312	*	0	TERMINAL; 8IN. TIE CABLE