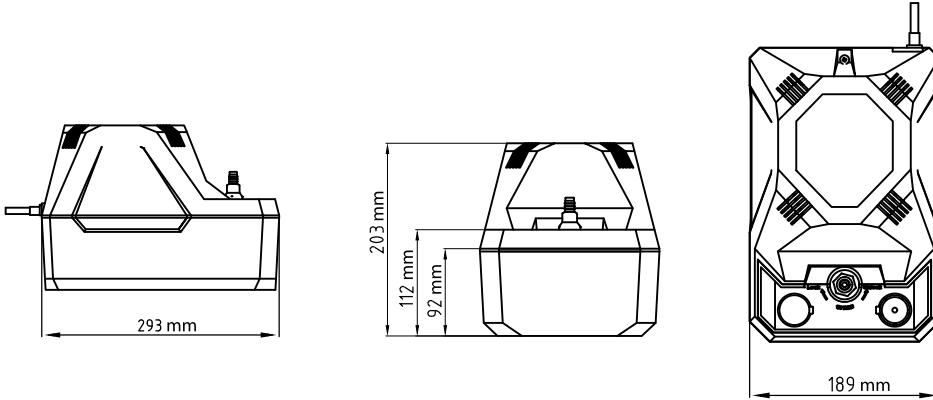




## AP43-HTS Condensate Pump Technical Information

### Dimensions :



Pump is certified to  
CAN/CSA STD  
C22.2 no. 108

4007096  
Pump conforms to  
ANSI/UL STD 778

**Tank :** 3.8 Litre

**Weight :** 3.13 kg, 6.90 lbs (empty)  
6.6 kg, 14.6 lbs (full)

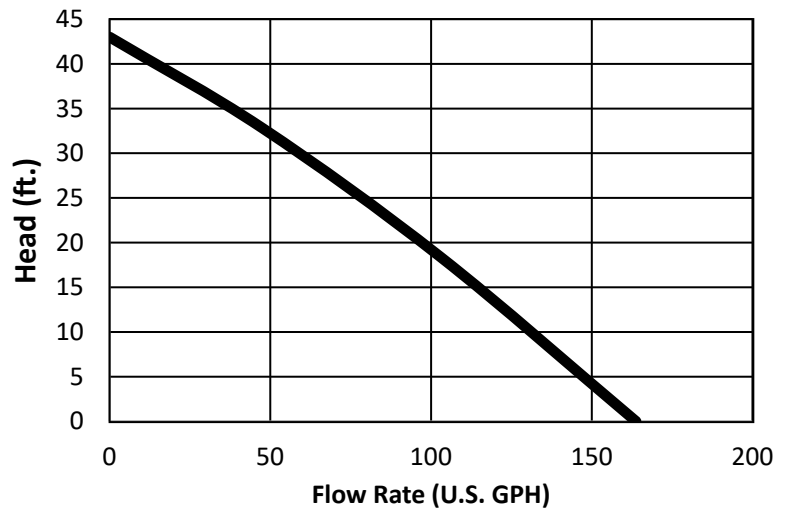
### Electrical :

Pump: 120 VAC 60Hz, 226W, 1.91 Amps  
High level safety switch rating : 125 or  
250VAC 6A, 125V DC 0.4A, 250V DC 0.3A

### Pump Performance :

Submerged pump is self-priming  
282 L/hr (74 gph) @ free flow  
123 L/hr (32 gph) @ 7 m (23ft)

**AP43-HTS Pump Curve**



### Specifications :

The condensate pump shall be AXIOM INDUSTRIES LTD. Model AP43-HTS. System shall include 3.5 litre (0.9 U.S. gallon) tank made and lid made from ABS, pump with thermal cut-out and electrically certified to CAN/CSA STD C22.2 no. 108 conforms to ANSI/UL STD 778; low level float switch; high level float switch with N.C. or N.O. contacts (factory set to N.C.) for remote alarm system; check valve; 6 ft. long power cord. Power supply 120/60/1.91A.

### LIMITED WARRANTY

The “AP43-HTS” is warranted against defects in materials and workmanship for two years.

### Project Details :

Project \_\_\_\_\_  
Consultant \_\_\_\_\_  
Unit Tag \_\_\_\_\_

Location \_\_\_\_\_  
Contractor \_\_\_\_\_  
Sales Agent \_\_\_\_\_