

Features

- General Purpose Enclosure
- 3-way operation allows diversion of flow from commercial/industrial oil burners to recirculatory system
- Zero differential

Fluid Handled

Fuel Oil up to 1500 SSU

Construction

Valve Parts in Contact with Fluids	
Body	Brass
Seals and Disc	FKM
Core and Plugnut	430F Stainless Steel
Springs	302 Stainless Steel
Shading Coil	Copper

Electrical

Standard Coil and Class of Insulation	Watt Rating and Power Consumption			Ambient Temp. °F	Spare Coil Family	
	AC				General Purpose	Explosionproof
	Watts	VA Holding	VA Inrush		AC	AC
F	15.4	27	160	32 to 115	099257	-

Standard Voltages: 24, 120, 240 volts AC, 60 Hz (or 110, 220 volts AC, 50 Hz).

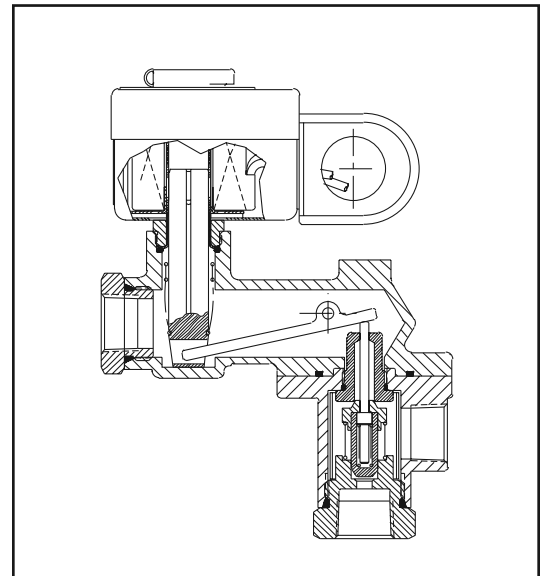
Solenoid Enclosures

Standard: RedHat Type 1 General Purpose.

Optional: RedHat Type 3R Rainproof (prefix "R").

Valve Response Time

Opening Time: Less than 1 second; **Closing Time:** Less than 1 second



Approvals

UL listed Shutoff Valve.

FM Approved Oil Safety Shutoff Valves

CSA Electrically Operated Valves

Specifications (English units)

Pipe Size (ins.)	Orifice Size (ins.)	Cv Flow Factor	Operating Pressure Differential (psi) Fuel Oil up to 1500 SSU ②		Max. Fluid Temp. °F		Inlet Position ①	Catalog Number	Const. Ref.	Agency			Wattage
			Min.	Max.	Fluid	Ambient				UL	FM	CSA	AC
COMBUSTION (Fuel Oil) - NORMALLY CLOSED													
3/8	1/4	1.0	0	100	265	115	A	8377 001	1	○	○	○	15.4
3/8	1/4	1.0	0	100	265	115	B	8377 003	1	○	○	○	15.4
3/8	1/4	1.0	0	100	265	115	C	8377 005	1	○	○	○	15.4
3/8	1/4	1.0	0	100	265	115	D	8377 013	1	○	○	○	15.4
1/2	1/4	1.0	0	100	265	115	A	8377 007	1	○	○	○	15.4
1/2	1/4	1.0	0	100	265	115	B	8377 009	1	○	○	○	15.4
1/2	1/4	1.0	0	100	265	115	C	8377 011	1	○	○	○	15.4
1/2	1/4	1.0	0	100	265	115	D	8377 015	1	○	○	○	15.4

○ = Safety Shutoff Valve. ① Before ordering, refer to Diagram A below for description of inlet positions.
② Valve intended for burner control with low pressure drop when energized. For other applications, be sure pressure drop when energized does not exceed 65 psi.

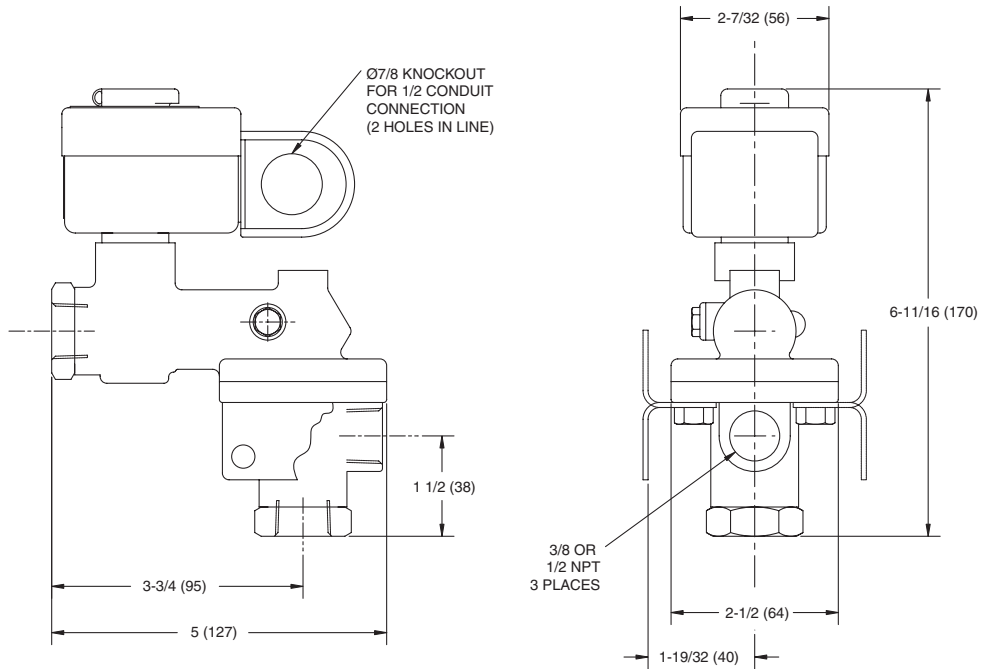
Specifications (Metric units)

Pipe Size (ins.)	Orifice Size (mm)	Kv Flow (m³/hr)	Operating Pressure Differential (bar) Fuel Oil up to 1500 SSU ②		Max. Fluid Temp. °C		Inlet Position ①	Catalog Number	Const. Ref.	Agency			Wattage
			Min.	Max.	Fluid	Ambient				UL	FM	CSA	AC
COMBUSTION (Fuel Oil) - NORMALLY CLOSED													
3/8	6	0.9	0	6.9	129	46	A	8377 001	1	○	○	○	15.4
3/8	6	0.9	0	6.9	129	46	B	8377 003	1	○	○	○	15.4
3/8	6	0.9	0	6.9	129	46	C	8377 005	1	○	○	○	15.4
3/8	6	0.9	0	6.9	129	46	D	8377 013	1	○	○	○	15.4
1/2	6	0.9	0	6.9	129	46	A	8377 007	1	○	○	○	15.4
1/2	6	0.9	0	6.9	129	46	B	8377 009	1	○	○	○	15.4
1/2	6	0.9	0	6.9	129	46	C	8377 011	1	○	○	○	15.4
1/2	6	0.9	0	6.9	129	46	D	8377 015	1	○	○	○	15.4

○ = Safety Shutoff Valve. ① Before ordering, refer to Diagram A below for description of inlet positions.
② Valve intended for burner control with low pressure drop when energized. For other applications, be sure pressure drop when energized does not exceed 4.5 bar.

Dimensions inches (mm)

Const. Ref. 1



Flow Diagrams

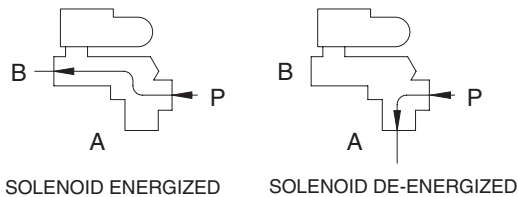
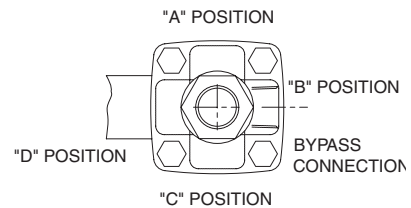
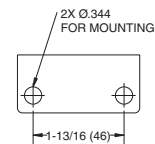


Diagram A



MOUNTING BRACKET
STANDARD



Must be mounted with solenoid vertical and upright.

