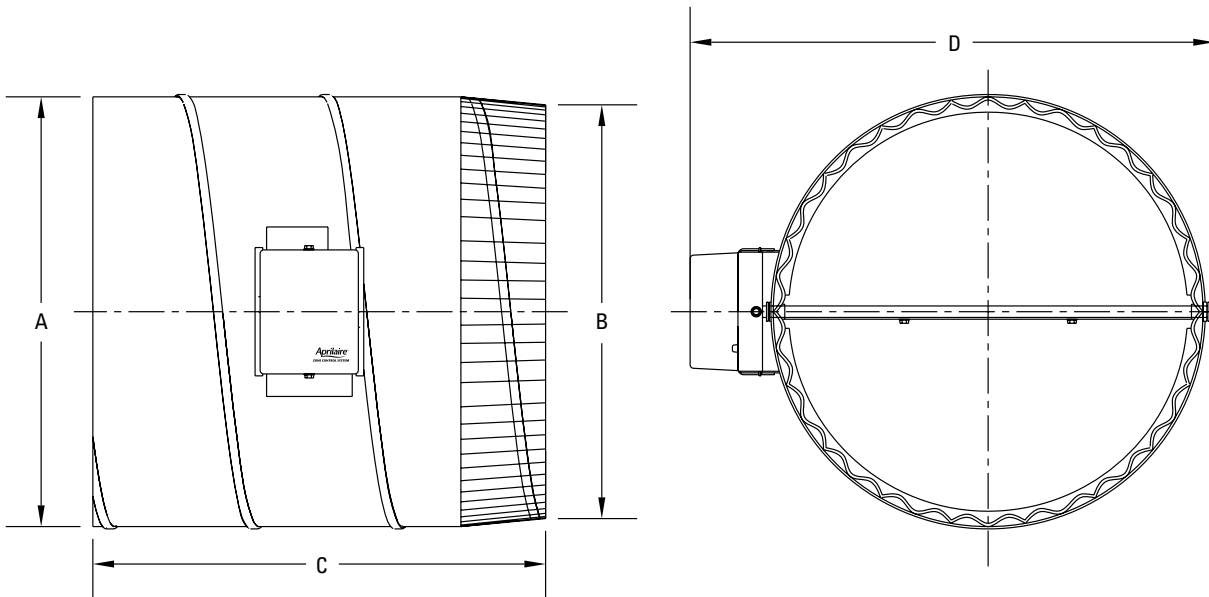


Project: _____
 Architect: _____
 Contractor: _____
 Supplier: _____

Dealer: _____
 Engineer: _____
 Location: _____
 Date: _____



Size	A	B	C	D	Shipping Weight
6"	6.03" (151 mm)	5.77" (144 mm)	10.75" (269 mm)	9.28" (232 mm)	5 lbs
8"	8.03" (201 mm)	7.77" (194 mm)	10.75" (269 mm)	11.28" (282 mm)	6 lbs
10"	10.03" (251 mm)	9.77" (244 mm)	10.75" (269 mm)	13.28" (332 mm)	8 lbs
12"	12.03" (301 mm)	11.77" (294 mm)	12.75" (319 mm)	15.28" (382 mm)	10 lbs
14"	14.03" (351 mm)	13.77" (344 mm)	14.75" (369 mm)	17.28" (432 mm)	12 lbs
16"	16.03" (401 mm)	15.77" (394 mm)	16.75" (419 mm)	19.28" (482 mm)	15 lbs
18"	18.03" (451 mm)	17.77" (444 mm)	19.62" (491 mm)	21.40" (535 mm)	19 lbs
20"	20.03" (509 mm)	19.77" (502 mm)	22.00" (559 mm)	23.40" (594 mm)	23 lbs

NOTES:

Applications: Compatible with Aprilaire® Zoned Comfort Control system. Dampers are designed to work in low pressure systems (less than 1.0" w.c.)

Electrical Ratings: Two wire; power closed/spring open; 24 VAC 6W, 60Hz, 12VA. Synchronous type motor, impedance protected for continuous stall capability without electrical or mechanical damage. Damper comes with motor mounted.

The submittal is intended to show general, overall product dimensions and provide guidance for installation clearance. Drawings are not to scale. Ensure submittals are current. Research Products reserves the right to make product changes without notification or obligation.