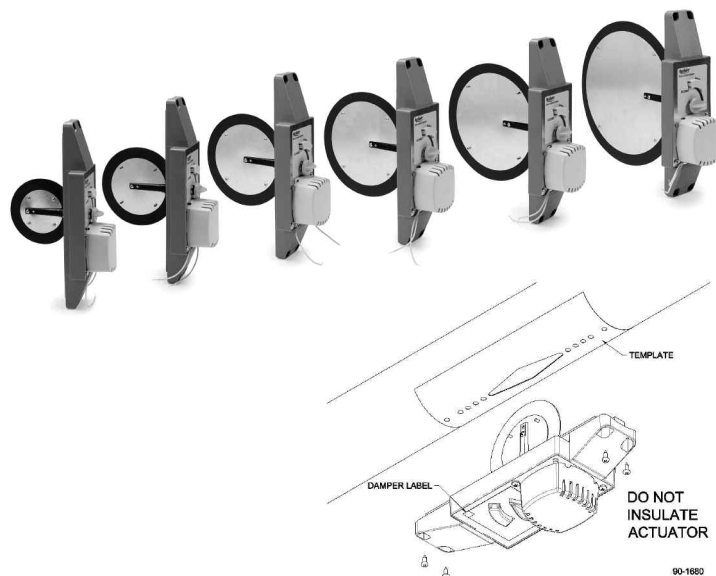


Aprilaire introduces a full line of round slip-in, spring-return dampers designed to be inserted into round branch ducts with diameters from 4" to 8" and 10".

Many homes, without zoning, have comfort problems. It is now affordable to zone these homes without costly, and difficult, duct modification.

Zoning provides your customers with improved comfort in their homes and reliable, maintenance free operation.



ROUND SLIP-IN DAMPERS - SPECIFICATIONS

DUCT SIZE	4" round	5" round	6" round	7" round	8" round	10" round
MODEL NUMBER	6704	6705	6706	6707	6708	6710
OVERALL SIZE	12.6"(H)x3.8"(W)x7.3"(D)	12.6"(H)x3.8"(W)x8.3"(D)	12.6"(H)x3.8"(W)x9.3"(D)	12.6"(H)x3.8"(W)x10.3"(D)	12.6"(H)x3.8"(W)x11.3"(D)	12.6"(H)x3.8"(W)x13.3"(D)
WEIGHT (SHIPPING)	2.4 lb	2.4 lb	2.6 lb	2.7 lb	2.8 lb	3.2 lb
RESISTANCE	0.02" W.C. @ 700 fpm	0.02" W.C. @ 700 fpm	0.02" W.C. @ 700 fpm	0.02" W.C. @ 700 fpm	0.02" W.C. @ 700 fpm	0.01" W.C. @ 700 fpm

CONSUMER BENEFITS

COMFORT:

- The right temperature where consumers want it, when they want it.

CONVENIENCE:

- System is completely automatic. Add the Aprilaire home comfort control for the ultimate in convenience and control.

ENERGY SAVINGS:

- It makes sense; don't waste energy conditioning the whole home, only condition areas that need it. "Would you have a single light switch to control all the lights in your home?"

QUALITY:

- 5 Year Warranty

CONTRACTOR BENEFITS

PROFITABLE:

- You can now provide an economical solution to your customers' comfort needs.

EASY INSTALLATION:

- Simply cut a slot, insert the damper and screw or strap the damper to the duct.

INSTALLER FRIENDLY:

- Highly visible damper blade position indicator shows damper position, simplifying check-out and troubleshooting.

RELIABLE:

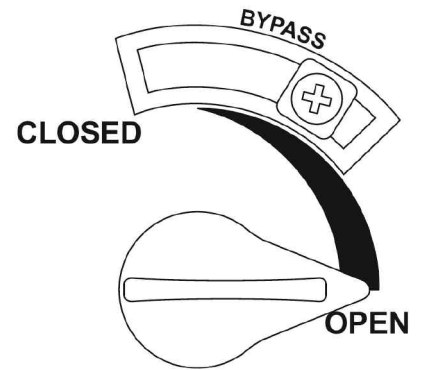
- "No gears" Flex-Link™ technology assures long life.

FAIL SAFE:

- Power closed/spring open design assures air flow to all zones even if there is a loss of power to the damper.



BYPASS AIRFLOW (CFM) AT 0.2" WC SUPPLY SIDE PRESSURE						
DAMPER SIZE	4"	5"	6"	7"	8"	10"
CONTROLLED PRESSURE RELIEF	8	20	25	39	56	81
CLOSED	7	7	7	6	6	6



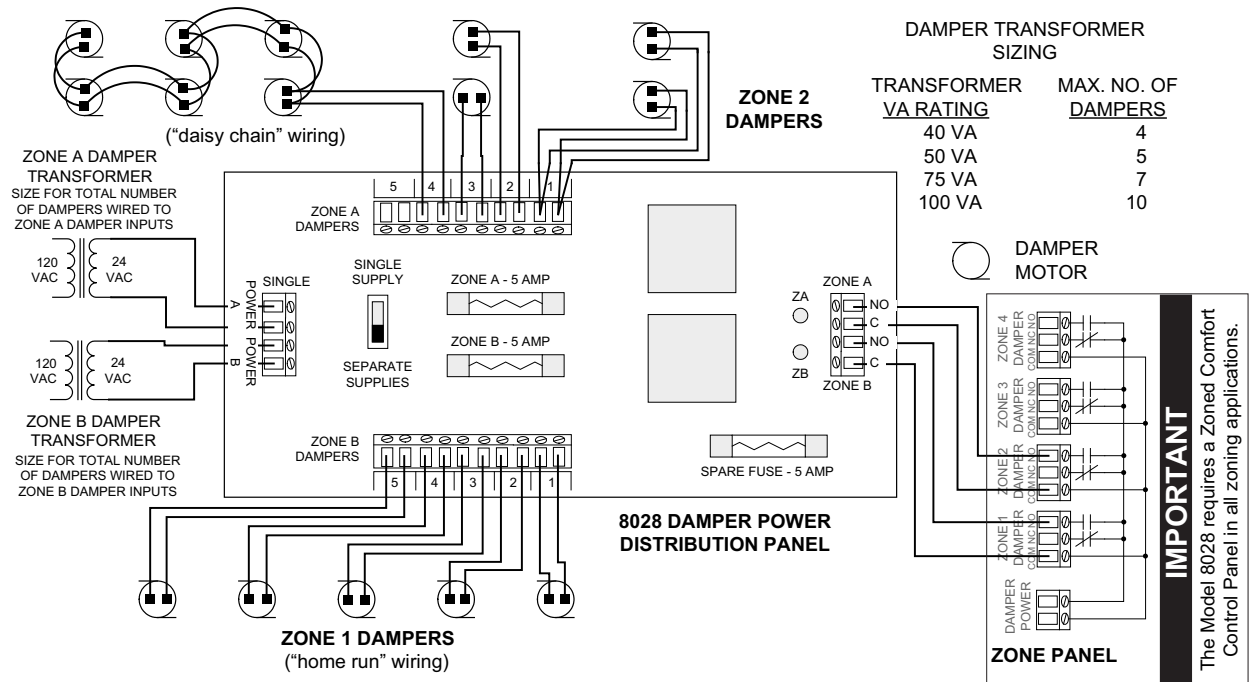
Model 8028 Power Distribution Panel

- Simplifies installation when the number of dampers exceeds the fuse rating of the zone panel
- Makes troubleshooting easier
- Gives a professional and clean appearance to your installation



MODEL 8028 - POWER DISTRIBUTION PANEL SPECIFICATIONS

MAX. DAMPER POWER INPUT PER ZONE	100 VA @ 24 VAC
DAMPER FUSE SIZE	5 A fast acting (spare supplied)
CONTROL INPUT CURRENT DRAW (ZONE A & B)	50 mA @ 24 VAC
MAX. NO. OF APRILAIRE DAMPERS PER ZONE	10
MAX. WIRE SIZE	18 AWG
APPLICATION TEMPERATURE / RH	140°F / 90% RH (non-condensing)



APRILAIRE RESERVES THE RIGHT TO CHANGE SPECIFICATIONS WITHOUT NOTICE.



P.O. Box 1467 • Madison, WI 53701-1467 • Phone: 800/334-6011 • Fax: 608/257-4357 • www.aprilairepartners.com