



Model  
**E050**

Compact Professional-Grade Dehumidifier

Project: \_\_\_\_\_ Dealer: \_\_\_\_\_  
 Architect: \_\_\_\_\_ Engineer: \_\_\_\_\_  
 Contractor: \_\_\_\_\_ Location: \_\_\_\_\_  
 Suppliers: \_\_\_\_\_ Date: \_\_\_\_\_

## Principle of Operation

The AprilAire Model E050 Dehumidifier is designed to dehumidify the incoming air by passing it over an evaporator coil to drop its temperature below dew point. Moisture is removed from the air and drained out of the unit to a common floor or waste drain or into a condensate pump to be drained elsewhere. The dry air is then returned.

Dehumidification occurs until the set point is reached, then shuts off until periodic sampling determines a need for further operation.

## Application

The E050 is the perfect solution for controlling humidity in the smaller/hard to reach installation locations to help protect against structural damage, pests, and mold.

## Circulation

The E050 can also be programmed to circulate the air. Air circulation evens out relative humidity levels and temperature in the space, eliminating variations in the environment.

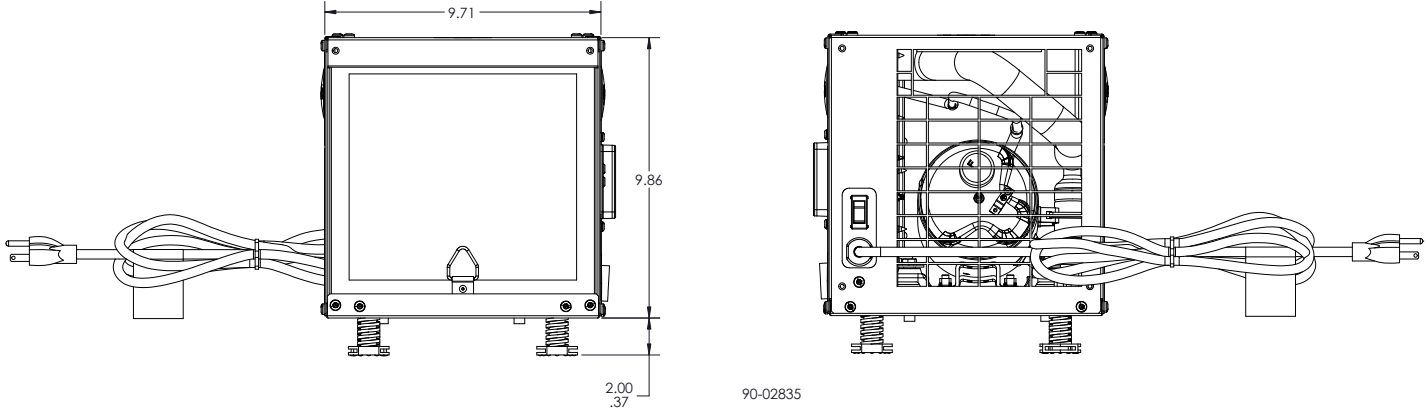
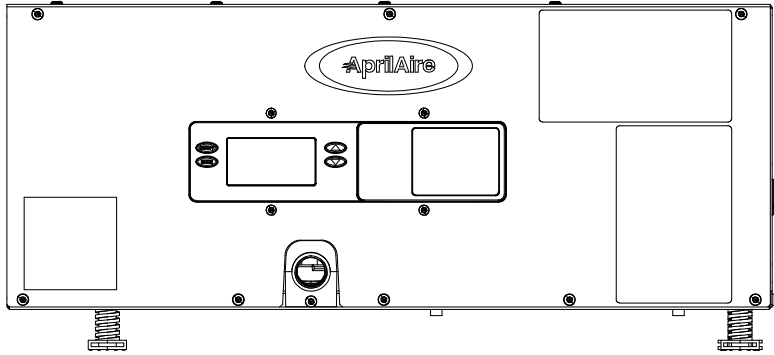


## Specifications

<b>Capacity<sup>(1)</sup></b>	@ 80°F/60% RH @ 73°F/60% RH @ 65°F/60% RH	50 ppd 42 ppd 35 ppd
<b>Energy Factor<sup>(1)</sup></b>	@ 80°F/60% RH @ 73°F/60% RH @ 65°F/60% RH	2.0 L/kW-h 1.8 L/kW-h 1.7 L/kW-h
<b>Airflow @ varying E.S.P. (external static pressure - dry coil)</b>	0" WC 0.2" WC 0.4" WC	145 CFM 125 CFM 105 CFM
<b>Voltage, phase, frequency</b>	120VAC, 1 phase, 60Hz	
<b>Current draw<sup>(1)</sup></b>	4.2 Amps	
<b>Noise</b>	54 dBA ducted 57 dBA un-ducted	
<b>Dimensions (cabinet only)<sup>(2)</sup></b>	Width: 10" Height: 10" Length: 25"	
<b>Unit Weight Shipping Weight</b>	46 lbs. 55 lbs.	
<b>Control Range</b>	42°F to 78°F Dew Point or 40% to 80% RH	
<b>Control<sup>(3)</sup></b>	Built-in digital control with display	
<b>Control mounting option</b>	Side mount	
<b>Air discharge orientation</b>	End of cabinet	
<b>Backdraft damper</b>	N/A	
<b>Filter</b>	Washable MERV 8 (Part No. 70000038)	
<b>Refrigerant</b>	R32	
<b>Coil type</b>	Corrosion-resistant aluminum	
<b>8' Power cord</b>	Plug type	
<b>Hardwire option</b>	No	
<b>Discharge air temperature rise</b>	10°F-30°F	
<b>Drain connection<sup>(4)</sup></b>	3/4" MNPT Threaded	
<b>Warranty</b>	5 Years	

<sup>(1)</sup>Rated capacity, energy factor and current draw measured at 80°F/60% RH inlet air at 0.0 ESP.  
<sup>(2)</sup>Height does not include adjustable feet. The Width excludes the User Interface.  
<sup>(3)</sup>Built-in automatic control capable to be set up for dehumidification and ventilation or zoning.  
<sup>(4)</sup>Adapters for threaded connection for plastic hose included.

# Technical Drawings



The submittal is intended to show general, overall product dimensions and provide guidance for installation clearance. Drawings are not to scale. Ensure submittals are current.

AprilAire reserves the right to make product changes without notification or obligation.