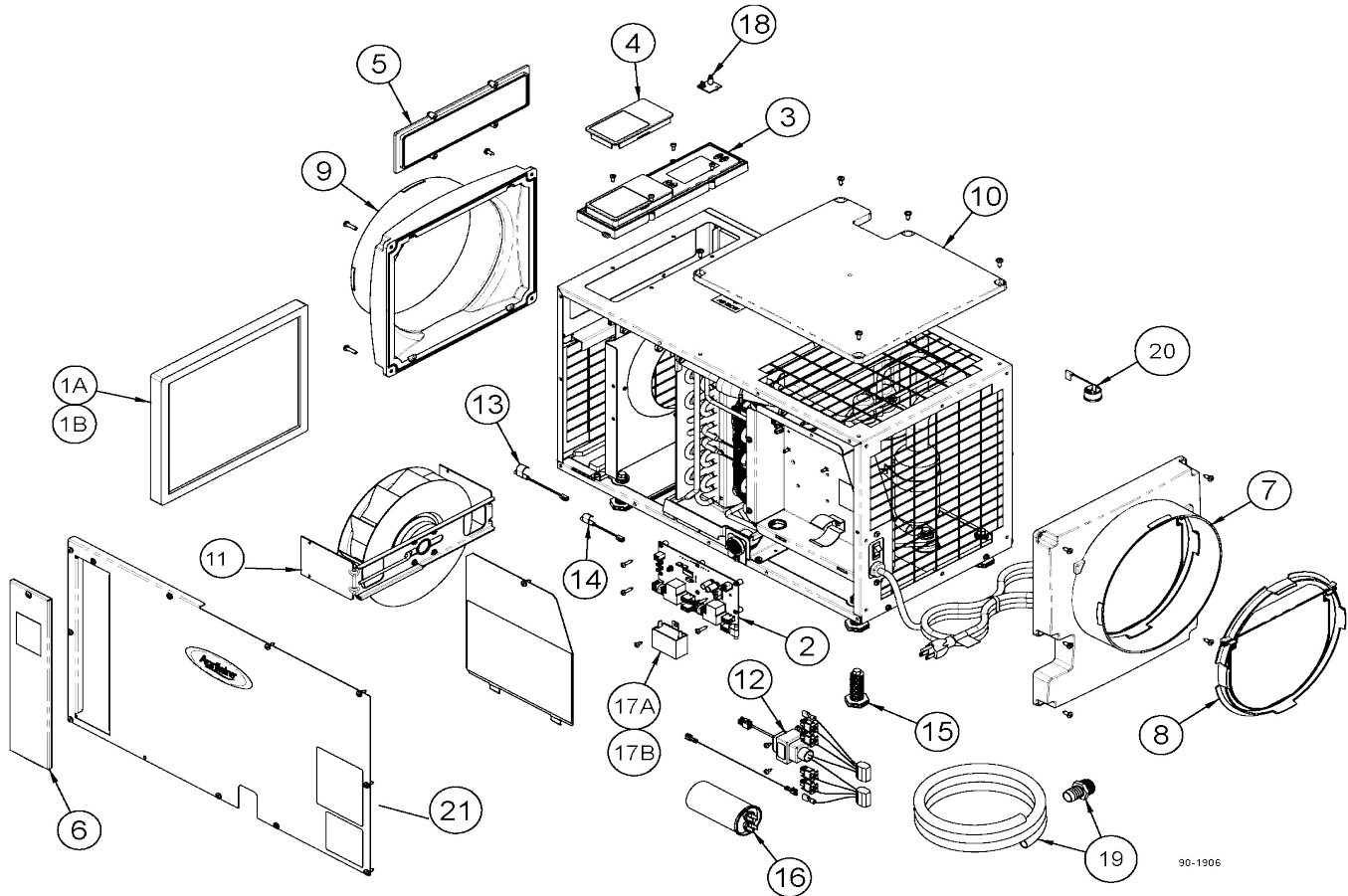


# Model 1870/1870F/1870W/1872/E130/E130H/E130C Dehumidifiers



90-1906

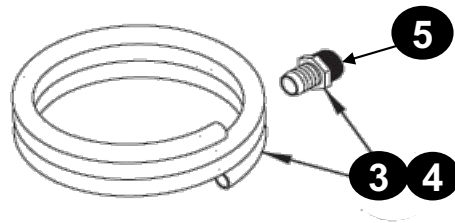
NO.	PART DESCRIPTION	SELLPACK *Must be ordered in multiples of*	PART NO.
1A	Filter, 14" x 19" x 1" EZK (1870, 1872, E130 series) <sup>1</sup>	1	5569
1B	Filter, 16" x 19" x 1" EZK (1870F)	1	5570
2	Internal Control Board	1	5444
3	User Interface Assembly	1	5445
4	Wiring Access Door	1	5446
5	UI Control Hole Cover	1	5447
6	Filter Access Door	1	5571
7	Outlet Duct Panel	1	5449
8	Backflow Damper, 10"	1	5450
9	Inlet Duct Panel	1	5451
10	Outlet Cover	1	5452
11	Fan, 130pt with 10MFD Capacitor (See #17 below)	1	5572
12	Transformer and Wire Harness	1	5454
13	Low Temperature Sensor	1	5455
14	High Temperature Sensor	1	5456
15	Leveling Foot <sup>1</sup>	1	5457
16	Compressor Run Capacitor, 70MFD, 370VAC	1	5941
17A	Fan Run Capacitor, 10MFD, 250VAC	1	5573
17B	Fan Run Capacitor, 8MFD, 450VAC for the Model 1870F	1	5459
18	RH Sensor used on models with detachable Temp/RH daughter board <sup>3</sup>	1	5460 (Obsolete)
19	Drain Tube + Fitting <sup>2</sup>	1	See Page 4 for Details
20	Compressor Overload Switch	1	5574
21	Right Service Panel	1	5922
<b>OTHER PARTS (Not Shown)</b>			
	Low Profile Condensate Pump with 20' of 3/8" Drain Tube	1	4856
	Living Space Duct Kit (25' of 10" Insulated Flex Duct with 2 Quick Install Grilles and 2 8" to 10" reducers)	1	5546
	Hanging Kit for 1800 Series & E-Series Dehumidifiers (replaces 5660 & 5691)	1	5822
	Left Service Panel	1	5921
	Switch, On/Off, 20A 250VAC	6	5956
	Filter, MERV 11	6	7000010
	Casters for 1870F, 1872, and E130C (set of 4)	1	7000014

<sup>1</sup> Not Compatible with 1870F

<sup>2</sup> Drain tube only included with 1870F & 1872

<sup>3</sup> 5460 obsolete, replace complete User Interface with 5445

## Drain Fittings for 1800-Series and E-Series Dehumidifiers



NO.	PART DESCRIPTION	SELLPACK *Must be ordered in multiples of*	PART NO.
1	Original Drain Fittings, ½ MNPT x ½ Barb & ¾ M Slip x ½ FNPT Reducer	1	5461
2	2nd Generation Drain Fitting, Custom Outlet Barb ¾ M Slip x ½ Barb	1	5585
3	New Threaded Fitting, ¾" MNPT x ¾" Barb, with 5ft of ¾" Drain Tube	1	5665
4	New Threaded Fitting, ¾" MNPT x ¾" Barb, with 10ft of ¾" Drain Tube <sup>1</sup>	1	5692
5	New Threaded Fitting, ¾" MNPT x ¾" Barb (Fitting Only) <sup>1</sup>	1	5693

<sup>1</sup>E-Series Dehumidifiers use #5693 Threaded Fitting or #5692 Threaded Fitting and Drain Tube