



HARD WIRING INSTRUCTIONS

Model E080H, E100H & E130H

For Models E080H and E100H refer to the Model E080 & E100 Installation Instructions for all other installation information.

For Model E130H, refer to the Model E130 Installation Instructions for all other installation information.

WARNING

ELECTRICAL SHOCK HAZARD: 115-volts may cause serious injury or death from electrical shock. Disconnect and tag electrical service before starting installation or field-service. Leave electrical service disconnected until installation or field-service is complete.

ELECTRICAL SHOCK HAZARD: An interrupted or broken ground may cause property damage, serious injury or death should an electrical fault occur. The cabinet must be grounded in accordance with NEC ANSI/NFPA 70-2011 or local codes. In Canada, refer to Canadian Electrical Code CSA C22.1.

FIRE HAZARD: Use of improper wire may cause serious injury, property damage or death due to fire. Do not use aluminum wire for electrical service to the dehumidifier. Use only copper wire.

CAUTION

Use of an undersized circuit breaker may cause property damage and/or the need for mold remediation service. See **SPECIFICATIONS** for wire and circuit breaker sizing.

Models E080H, E100H, and E130H must be hard wired. An electrical disconnect switch can be installed as needed to comply with appropriate codes or ordinances. The ON/OFF switch on the dehumidifier interrupts the 115 VAC service to the internal components of the dehumidifier, but does not disconnect the power supply at the 115 VAC terminals on the dehumidifier.

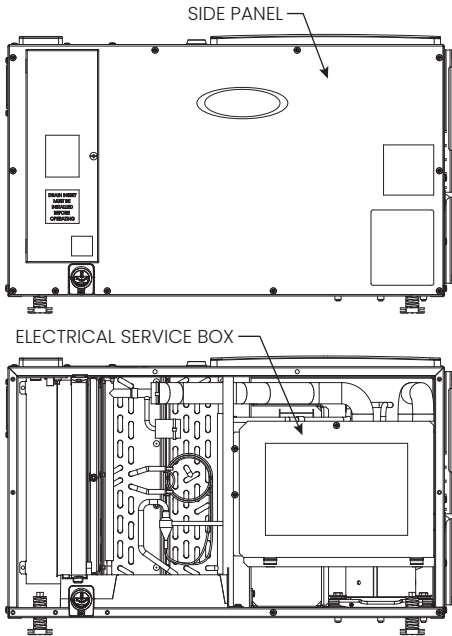
United States Installations: Make all electrical connections in accordance with the current edition of the NEC ANSI/NFPA 70 and any local codes or ordinances that may apply.

Canada Installations: Make all electrical connections in accordance with the current edition of the Canadian Electrical Code CSA C22.1 and any local codes or ordinances that may apply.

ELECTRICAL SPECIFICATIONS FOR HARD WIRING

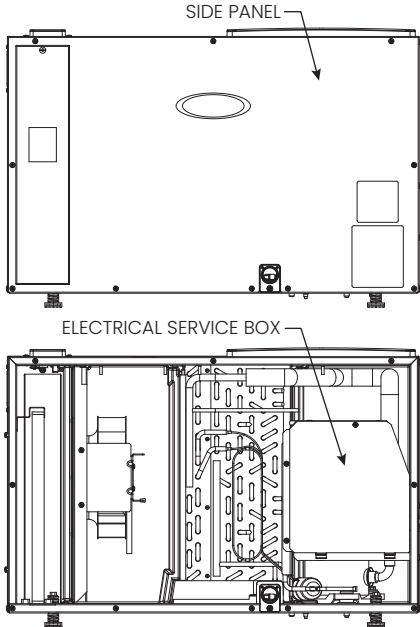
	Model E080H	Model E100H	Model E130H
Voltage	110-120 VAC, 60 Hz, 1 phase	110-120 VAC, 60 Hz, 1 phase	110-120 VAC, 60 Hz, 1 phase
Minimum Circuit Ampacity (MCA)	7A	10A	13A
Maximum Fuse or Circuit Breaker Amps (MOP)	15A	15A	20A
Minimum Wire Size AWG	14	14	14

FIGURE 1 – ELECTRICAL SERVICE BOX LOCATION – E080H & E100H



90-2609

FIGURE 2 – ELECTRICAL SERVICE BOX LOCATION – E130H

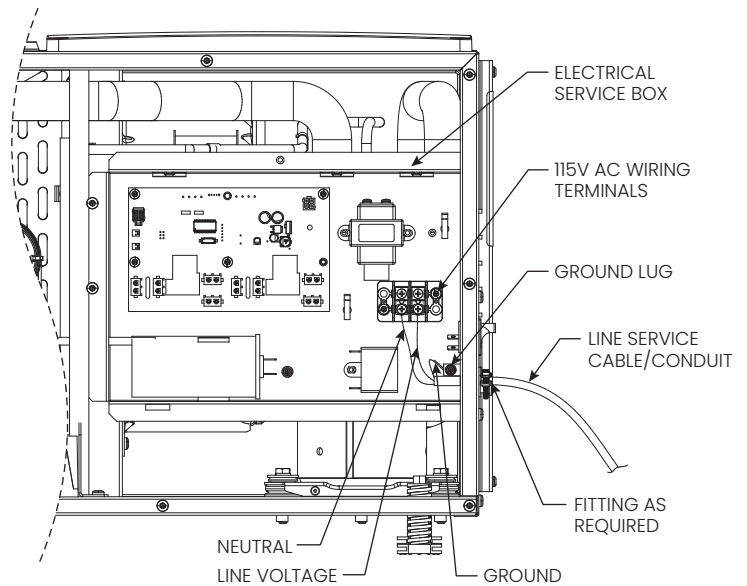


90-2631

WIRING INSTRUCTIONS

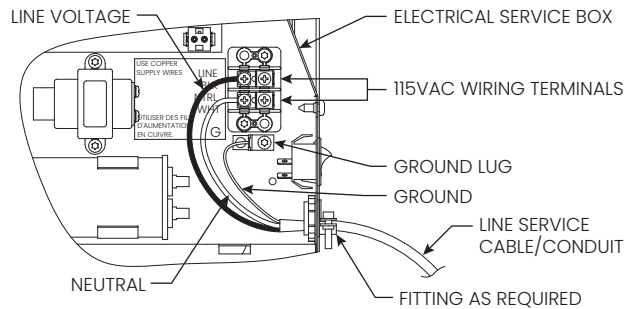
1. Disconnect electrical service at the main fuse or circuit breaker box.
2. Install any code required disconnects to the line service within eyesight of the appliance.
3. Remove the side panel and electrical service panel from the dehumidifier. See **FIGURE 1** for E080H or E100H, see **FIGURE 2** for E130H.
4. Route the service cable through the 7/8" diameter hole near the power switch. USE ONLY COPPER SUPPLY WIRES.
5. Secure the cable/conduit to the dehumidifier using fittings/connectors approved for the type of cable/conduit used.
6. Connect the ground wire of the service cable to the ground lug in the electrical service box. See **FIGURE 3** for E080H or E100H, see **FIGURE 4** for E130H.
7. Connect the line voltage wires of the service cable to the LINE BLK and NTRL WHT terminals. See **FIGURE 3** for E080H or E100H, see **FIGURE 4** for E130H.
8. Reattach the electrical service panel and side panel.
9. Restore electrical service at the main fuse or circuit breaker box.

FIGURE 3 – HARD WIRE TO 115 VAC SERVICE – E080H & E100H



90-2609

FIGURE 4 – HARD WIRE TO 115 VAC SERVICE – E130H



90-2019



10016408

B2210042A • 10016408 • 7.22

© 2022 AprilAire | aprilairerepairs.com | 800.334.6011

AprilAire reserves the right to change specifications without notice.

