



Model  
**E130**  
Dehumidifier

Project: \_\_\_\_\_ Dealer: \_\_\_\_\_  
Architect: \_\_\_\_\_ Engineer: \_\_\_\_\_  
Contractor: \_\_\_\_\_ Location: \_\_\_\_\_  
Suppliers: \_\_\_\_\_ Date: \_\_\_\_\_



**MODELS:**  
E130: Includes 8' power cord  
E130C: Uses casters instead of leveling feet  
E130H: Terminal connection for hardwiring



## Principle of Operation

The AprilAire E130 Dehumidifiers are designed to dehumidify the air coming into the unit by passing the incoming air over an evaporator coil, dropping the air temperature below the dew point. The moisture is removed from the air and drains out of the dehumidifier to a common floor or waste drain. The air is then reheated in the condenser coil and exits the unit.

Dehumidification occurs until the relative humidity (%RH) setting is reached. The unit then shuts off until periodic sampling determines the need for dehumidification. The integrated digital display and control monitors the %RH during sampling of the incoming room or HVAC return air

## Application

AprilAire E130 Dehumidifiers are the perfect product for whole-home dehumidification, basements, crawl spaces and sealed attics

## Ventilation

All E130 Dehumidifiers models have the ability to bring in fresh, outdoor air into the living space. Fresh air will dilute stale air and pollutants and will reduce humidity in the winter months. If the humidity level of the outdoor air higher than the %RH setting, the dehumidifier will begin dehumidification to reduce the humidity in the home to set humidity level. The outdoor fresh air is brought in through 6" round duct with a 6" round, normally closed damper. This complies with ASHRAE 62.2, Energy Star, and International Residential Code (IRC).

The dehumidifier has built-in controls to adjust the amount of fresh air that is brought in to the home. If wired to the HVAC system, the dehumidifier will bring in the outdoor air when the HVAC system calls for heating, cooling, or is running continuous fan. If the amount of set ventilation time has not been met during the HVAC calls, the dehumidifier will open the ventilation damper and turn on the HVAC fan and bring in fresh air until the ventilation time has been met.

High and low temperature limits are available in 3 different modes, preventing outdoor air that is too hot or too cold from being delivered to the home. If the outdoor temperature rises above the high limit or drops below the low limit, ventilation will not occur. If the outdoor temperature drops below the heat only limit, ventilation will be allowed only when the HVAC system is calling for heat. A high indoor %RH limit is also available in all three ventilation modes.

## Zone Dehumidification

The E130 Dehumidifiers are capable of zoned dehumidification. In this application, the dehumidifier can control the humidity in two separate zones in the home, a Primary and Secondary Zone.

<sup>(1)</sup>Rated capacity, energy factor and current draw measured at 80°F/60% RH inlet air at 0.0 ESP.

<sup>(2)</sup>Height does not include adjustable feet. The width excludes the filter doors and length excludes the duct collars.

<sup>(3)</sup>Built-in automatic control capable to be set up for dehumidification and ventilation or zoning.

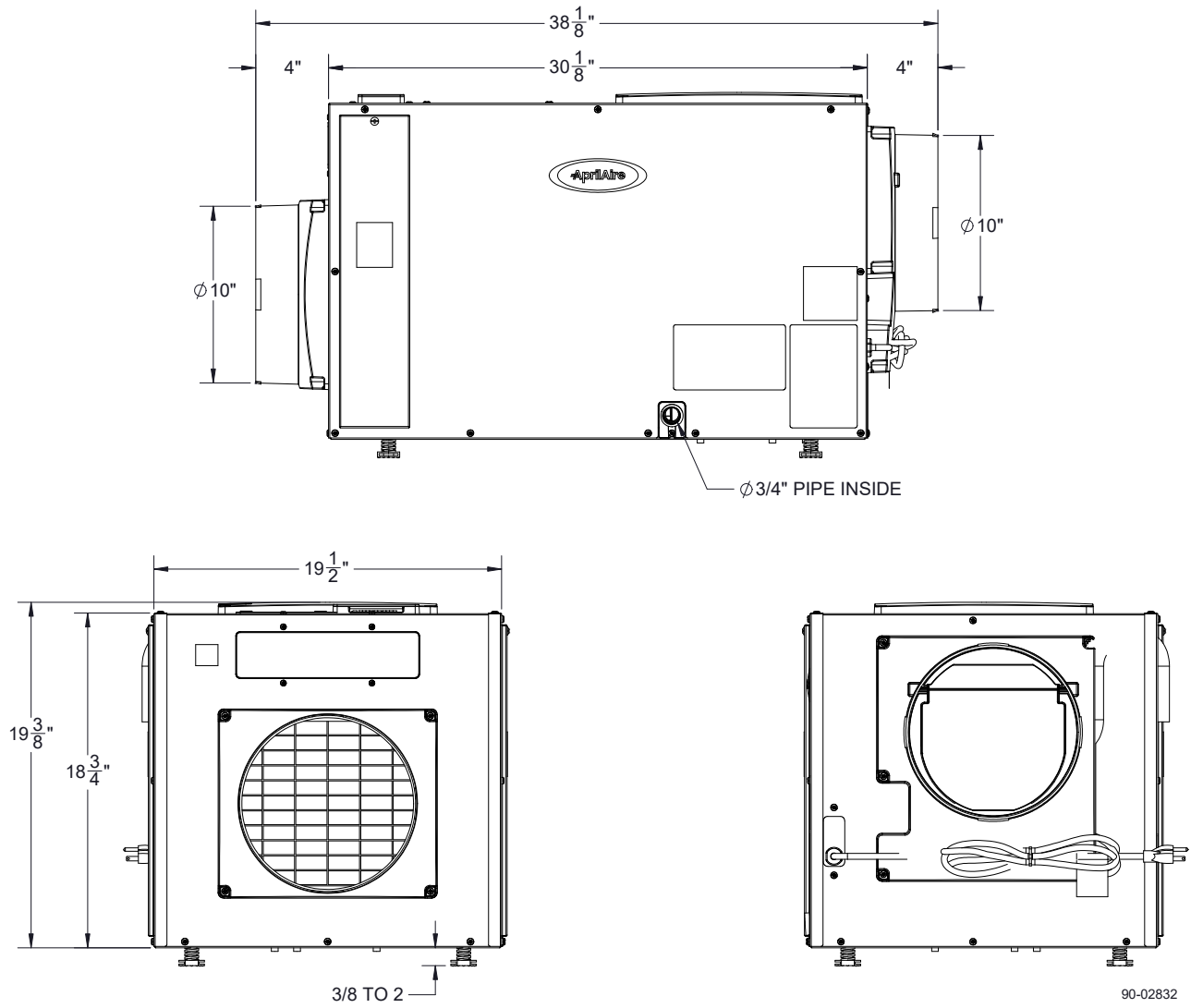
<sup>(4)</sup>Model E130H is a hardwired unit and doesn't ship with a power cord.

<sup>(5)</sup>Threaded barbed fitting included. 1872 includes 5' of clear drain tubing.

## Specifications

Capacity <sup>(1)</sup>	@ 80°F/60% RH @ 73°F/60% RH	130 ppd 105 ppd
Energy Factor <sup>(1)</sup>	@ 80°F/60% RH @ 73°F/60% RH	2.9 L/kW-h 2.35 L/kW-h
Airflow @ varying E.S.P. (external static pressure - dry coil)	0.0" WC 0.2" WC 0.4" WC	310 CFM 270 CFM 225 CFM
Voltage, phase, frequency	120VAC, 1 phase, 60Hz	
Current draw <sup>(1)</sup>	7.7 Amps	
Noise	50 dBA ducted	
Dimensions (cabinet only) <sup>(2)</sup>	Width: 19½" Height: 18¾" Length: 30"	
Unit Weight	98 lbs.	
Shipping Weight	115 lbs.	
Leveling Feet	E130/E130H Only	
Casters	E130C Only	
Control <sup>(3)</sup>	Built-in digital control with display	
Control mounting option	Field-interchangeable from top to front	
Cabinet insulation	½" EPS	
Air discharge orientation	Top or end	
Inlet/Outlet duct collars	10" dia.	
Backdraft damper at outlet	Included	
Filter	Washable MERV 8 (Part Number 5569)	
Refrigerant	R32	
Coil type	Corrosion-resistant aluminum	
8' Power cord <sup>(4)</sup>	Plug type (E130, E130C only)	
Hardwire option	Yes (E130H only)	
Discharge air temperature rise	10°F-30°F	
Drain connection <sup>(5)</sup>	¾" MNPT Threaded	
Included drain tubing	10' length (E100C only)	
Warranty	5 Years	

# Technical Drawings



The submittal is intended to show general, overall product dimensions and provide guidance for installation clearance. Drawings are not to scale. Ensure submittals are current.

AprilAire reserves the right to make product changes without notification or obligation.