

ELECTRIC TANKLESS COMMERCIAL/RESIDENTIAL

DRY-FIRE PROTECTION

- Prevents element failure due to dry fire
- Internal air bypass
- Temporary shutoff with excess air in chamber

A WIDE VARIETY OF KW AND VOLTAGE OPTIONS FOR EVERY APPLICATION

- 12.2kW – 32kW
- 208V and 240V options

EASY INSTALL

- Mounts easily to the wall
- No venting required
- ¾" NPT water connections
- No T&P valve required (check local codes)

CONTINUOUS HOT WATER WHEN SIZED APPROPRIATELY

EASY MAINTENANCE

- No moving parts or screens to service
- Elements can be replaced without removing the unit from the wall
- Standard immersion tank-type elements

SELF DIAGNOSTICS WITH LEAK DETECTION SHUTDOWN

EASILY UNDERSTOOD DIGITAL USER INTERFACE

- Temperature can be adjusted with simple "up" and "down" arrows
- Error codes are clearly displayed

SCALE-REDUCTION TECHNOLOGY

- Reduces failures and service requirements due to hard scale buildup
- Power-sharing technology reduces scale deposits on the element
- Dupont™ Zytel® chambers naturally resist scaling buildup

COMPACT SIZE TO FREE UP VALUABLE SPACE

SOFT START

- Unit will not cause lights to dim with hard electricity draw

CODE COMPLIANCE

- Meets current UBC and CEC National Codes
- Meets or exceeds current federal minimum energy standards, according to the National Appliance Energy Conservation Act (NAECA)
- Listed and tested to UL 499 Appliance standards
- Control tested to achieve temperature limit control requirements of UL 353 and CSA C22.2

5-YEAR LIMITED WARRANTY

- For complete information, consult the written warranty or go to hotwater.com



RESIDENTIAL



COMMERCIAL





ELECTRIC TANKLESS WATER HEATERS COMMERCIAL/RESIDENTIAL

Model Number	Wattage (kW)	Voltage (V)	Amperage (A)	Recommended Breaker Size	Recommended Wire Size	UEF	Activation GPM	Dimensions (in)			Approx. Shipping Weight (lbs)
								A	B	C	
Residential 2-Chamber Models											
R2VA-140E	14	240	58	1 x 60	6*	0.84	0.25	17 3/4	11 1/2	6 1/8	13
R2VA-140X	14	208	67	2 x 40	8	0.84	0.25	17 3/4	11 1/2	6 1/8	13
R2VA-160E	16	240	67	2 x 40	8	0.82	0.25	17 3/4	11 1/2	6 1/8	13
Residential 4-Chamber Models											
R4LA-180E	18	240	75	2 x 40	8	0.92	0.25	18 1/8	17	6 1/8	20
R4LA-220E	22	240	92	2 x 50	6*	0.92	0.25	18 1/8	17	6 1/8	20
R4LA-240E	24	240	100	2 x 60	6*	0.92	0.25	18 1/8	17	6 1/8	20
R4LA-280E	28	240	117	2 x 60	6*	0.92	0.25	18 1/8	17	6 1/8	20
R4LA-280X	28	208	135	2 x 70	6*	0.92	0.25	18 1/8	17	6 1/8	20
R4MA-320E	32	240	133	2 x 70	6*	0.93	0.25	18 1/8	17	6 1/8	20

Model Number	Wattage (kW)	Voltage (V)	Amperage (A)	Recommended Breaker Size	Recommended Wire Size	UEF	Activation GPM	Dimensions (in)			Approx. Shipping Weight (lbs)
								A	B	C	
Commercial 2-Chamber											
C2VA-120E	12.2	240	51	1 x 60	6*	0.84	0.25	17 3/4	11 1/2	6 1/8	13
C2VA-140E	14	240	58	1 x 60	6*	0.84	0.25	17 3/4	11 1/2	6 1/8	13
C2VA-140X	14	208	67	2 x 40	8	0.84	0.25	17 3/4	11 1/2	6 1/8	13
C2VA-160E	16	240	67	2 x 40	8	0.82	0.25	17 3/4	11 1/2	6 1/8	13
Commercial 4-Chamber											
C4LA-180E	18	240	75	2 x 40	8	0.92	0.25	18 1/8	17	6 1/8	20
C4LA-220E	22	240	92	2 x 50	6*	0.92	0.25	18 1/8	17	6 1/8	20
C4LA-280E	28	240	117	2 x 60	6*	0.92	0.25	18 1/8	17	6 1/8	20
C4LA-280X	28	208	135	2 x 70	6*	0.92	0.25	18 1/8	17	6 1/8	20
C4MA-320E	32	240	133	2 x 70	6*	0.93	0.25	18 1/8	17	6 1/8	20

GPM AT TEMPERATURE RISE													
	20°	25°	30°	35°	40°	45°	50°	55°	60°	65°	70°	75°	80°
12.2 kW	4.2	3.3	2.8	2.4	2.1	1.9	1.7	1.5	1.4	1.3	1.2	1.1	1.0
14 kW	4.8	3.8	3.2	2.7	2.4	2.1	1.9	1.7	1.6	1.5	1.4	1.3	1.2
16 kW	5.5	4.4	3.6	3.1	2.7	2.4	2.2	2.0	1.8	1.7	1.6	1.5	1.4
18 kW	6.1	4.9	4.1	3.5	3.1	2.7	2.5	2.2	2.0	1.9	1.8	1.6	1.5
22 kW	7.5	6.0	5.0	4.3	3.8	3.3	3.0	2.7	2.5	2.3	2.1	2.0	1.9
24 kW	8.2	6.6	5.5	4.7	4.1	3.6	3.3	3.0	2.7	2.5	2.3	2.2	2.0
28 kW	9.6	7.6	6.4	5.5	4.8	4.2	3.8	3.5	3.2	2.9	2.7	2.5	2.4
32 kW	10.9	8.7	7.3	6.2	5.5	4.9	4.4	4.0	3.6	3.4	3.1	2.9	2.7

Dimensions and specifications are subject to change without notice in accordance with our policy of continuous product improvement.

Temperature Range: 90°- 140°F.

Recommended that all wire be rated 90°C or greater.

Factory set point is 120°F. This can easily be changed in the field as needed or desired.

Refer to National Electric Code Article 220 for calculating load contribution.

240V models can run on 208V with 25% reduced power output.

Refer to local code where applicable.

* Maximum recommended wire size is #6 cu AWG.

DIMENSIONS

Model	Dimensions (in)			Approx Shipping Weight (lbs)
	Width	Height	Depth	
2-Chamber	11.5	17.75	6.13	13.0
4-Chamber	17.0	18.13	6.13	20.0

2-chamber models

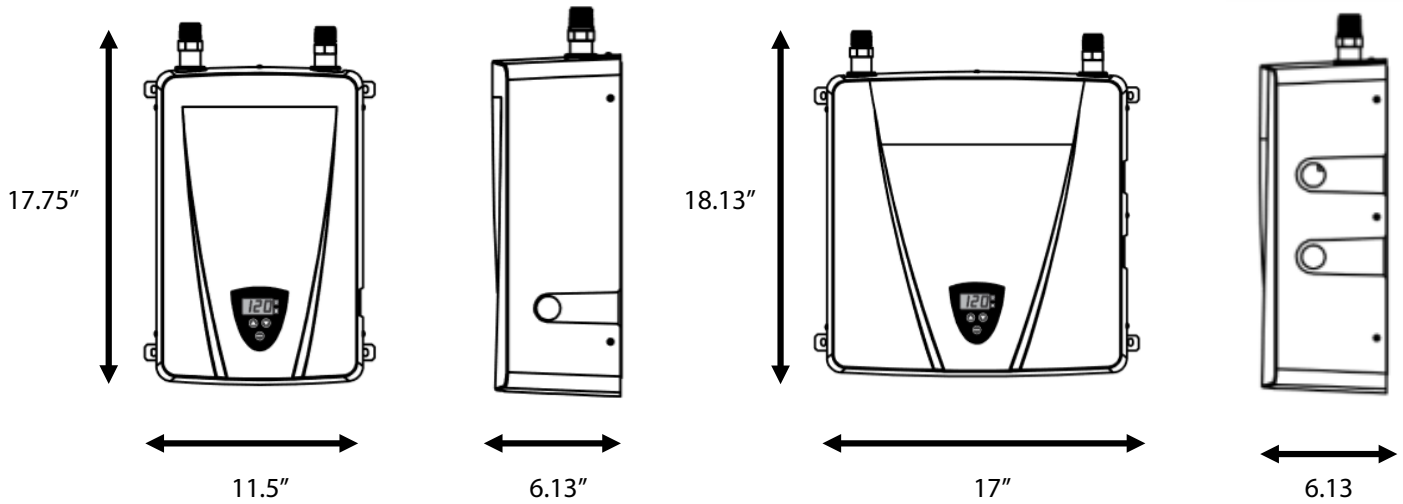
4-chamber models

Front View

Side View

Front View

Side View



For technical information, call 800-527-1953. A. O. Smith Corporation reserves the right to make product changes or improvements without prior notice.