



U.S. Patents
9,091,377 B2
9,523,200 B2



75ft. Mega Rolls

- ✓ Flexible UV Weather Grade Resistant Material ASTM G153
- ✓ Fast & Easy Install with Velcro Fastening System
- ✓ Removable/Reusable for Maintenance & Visual Mech. Code Inspection
- ✓ Protector and Class II Vapor Retarder (All-In-One)
- ✓ ASTM E-96 Water/Vapor Permeability Class II



90° Elbows

FULL CODE COMPLIANCE

International Energy Conservation Code IECC
Protection of Piping Insulation

Piping insulation exposed to weather shall be protected from damage, including that due to sunlight, moisture, equipment maintenance, wind and shall provide shielding from solar radiation that can cause degradation of the material. **Adhesive tape shall not be permitted.**

Commercial C403.12.3.1 2021, C403.11.3.1 2018, C403.2.10.1 2015, C403.2.8.1 2012
Residential R403.3.1, 2012, 2015, R403.4.1 2018, 2021

Refrigerant piping insulation shall be protected in accordance with Section N1103.4.1
International Residential Code - N1103.4.1 / M1411.61

APPROVED MATERIAL TESTING

- ASTM G153 Weatherization & UV Exposure
- ASTM D570 Water Absorption
- ASTM E96 Water Vapor Permeability
- ASTM E84/UL 723 Flame & Smoke Rating 25/450
- ASTM G21 Anti-Fungal/Antimicrobial
- ASTM D412 Tension Deformation Test



Made in the USA

Pipe Insulation Protection and Vapor Retarding
"Adhesive tape shall not be used to provide this protection"

"shall include or be protected by a Class I or Class II vapor retarder."
2022 California Building Energy Standard TITLE 24
120.3 (b) 1.2

ASHRAE 90.1-6.4.4.11 (A, B)

Refrigerant Piping Joints Visual Inspection
Removable and Reusable

"Refrigerant pipe joints erected on the premises shall be exposed for visual inspection prior to being covered or enclosed."

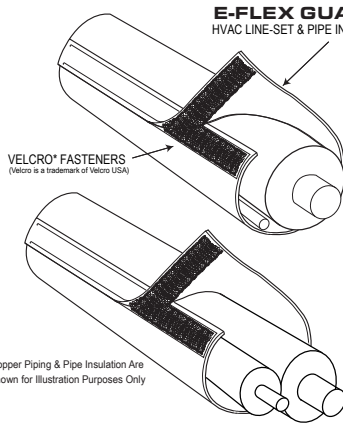
International Mechanical Code 1109.8
Uniform Mechanical Codes -1107



SUBMITTAL SHEET

Project _____
 Contractor _____
 Date _____
 Specification Reference _____
 Comments _____

HVAC Piping & Insulation Protector



E-FLEX GUARD™
 Color Options

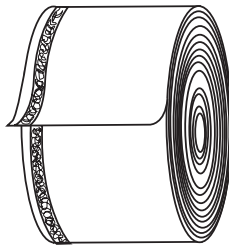
Black - B	White - W

Substitute (B) with (W) for White

72 Series 6 Ft. Rolls

Recommended Sizing Chart

Model #	Suction Line Insulated	Both Lines Insulated Mini Splits - Heat Pumps	Diameter	Width
72E-B (6ft)	(Fits: 1/2" wall thickness with 5/8", 3/4", 7/8" tube)	3/8" Wall Insulation Thickness	1.70" (4cm)	8"(20cm) <input type="checkbox"/>
72C-B (6ft)	(Fits: 3/4" wall thickness with 5/8", 3/4", 7/8" tube)	1/2" Wall Insulation Thickness	2.38" (6cm)	9.5"(24cm) <input type="checkbox"/>
72X-B (6ft)	(Fits: 1" wall thickness with 5/8", 3/4", 7/8" tube or 3/4" & 1" wall thickness pipe insulation with 1-1/8" tube)	3/4" Wall Insulation Thickness	3.19" (8cm)	11.5"(29cm) <input type="checkbox"/>

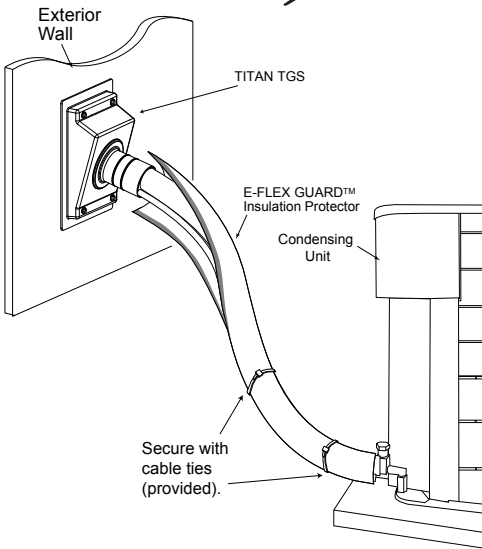


750 Series 75 Ft. Mega Rolls

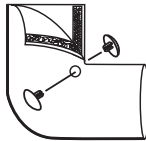
Recommended Sizing Chart

Model #	Suction Line Insulated	Both Lines Insulated Mini Splits - Heat Pumps	Diameter	Width
750E-B (75ft)	(Fits: 1/2" wall thickness with 5/8", 3/4", 7/8" tube)	3/8" Wall Insulation Thickness	1.70" (4cm)	8" (20cm) <input type="checkbox"/>
750C-B (75ft)	(Fits: 3/4" wall thickness with 5/8", 3/4", 7/8" tube)	1/2" Wall Insulation Thickness	2.38" (6cm)	9.5"(24cm) <input type="checkbox"/>
750X-B (75ft)	(Fits: 1" wall thickness with 5/8", 3/4", 7/8" tube or 3/4" & 1" wall thickness pipe insulation with 1-1/8" tube)	3/4" Wall Insulation Thickness	3.19" (8cm)	11.5"(29cm) <input type="checkbox"/>
750V-B (75ft)	(Fits 1-1/2" wall thickness with 7/8" tube or 1" wall with 2 1/8" tube, or 3/4" wall with 2 5/8" Tube)	*1" Wall Thickness	4.13"(10.5cm)	14"(35cm) <input type="checkbox"/>

*Additional sizes can be used that are within the diameter



90 Series 90° PVC Insulation Protectors



Airex Part Number Recommended Sizing Chart

90E-B	90° Angle fits E Series	<input type="checkbox"/>
90C-B	90° Angle fits C Series	<input type="checkbox"/>
90X-B	90° Angle fits X Series	<input type="checkbox"/>
90V-B	90° Angle fits V Series	<input type="checkbox"/>

U.S. Patents #9,091,377 B2, #9,523,200 B2

SPECIFICATIONS

AIREX E-FLEX GUARD™ - An insulation protective cover by Airex Manufacturing Inc., shall be provided and installed to be flexible, U/V and weather resistant. The PVC plastic pipe insulation cover shall feature an integrated, outdoor-rated durability, industrial-grade, full-enclosure fastening system that is double secured by molecular bonding, allowing custom, cut-to-length installations. The cut-to-length installations shall comprise of a non-unraveling PVC cover material that does not compromise long-term-effectiveness or require specialized tools and cutting equipment. The engineered fastening system is to allow the cover to be removable and reusable for maintenance without the use of adhesives as an attachment in any way shape or form, including either in the protector's construction, installation, or attachment to pipe insulation, as this will negatively affect insulation permeance performance and promote insulation material degradation which causes added energy usage by equipment. WRAPPING TAPE OR ADHESIVE TAPE SHALL NOT BE PERMITTED AS PER ENERGY CODES. Insulation Protector shall be tested and meet the following testing ASTM E 96 (Vapor Transmission of Materials), ASTM G 153 (Carbon Arc Light Exposure - Accelerated Weathering), ASTM D 412 (Tensile Strength: after UV Exposure and Water Immersion) ASTM 570 (Water Absorption of Plastics), ASTM E 84/UL 723 (Surface Burning Characteristics of Building Materials), ASTM G 21 (Fungal Growth). UV/Protector Pipe Insulation Material shall Meet Class II vapor retarder per ASTM E 96 (vapor/moisture permeability test) "1 perm or less". THE USE OF U/V PAINT, MASTICS OR NON-PERMEABLE MATERIALS OR ADHESIVES ARE NOT PERMITTED FOR THIS APPLICATION. AIREX E-FLEX GUARD™ shall shield from damage from Solar radiation, U/V, weather and physical damage. Protection shall include Class II rated vapor retarder permeability performance material, as required per Energy codes.