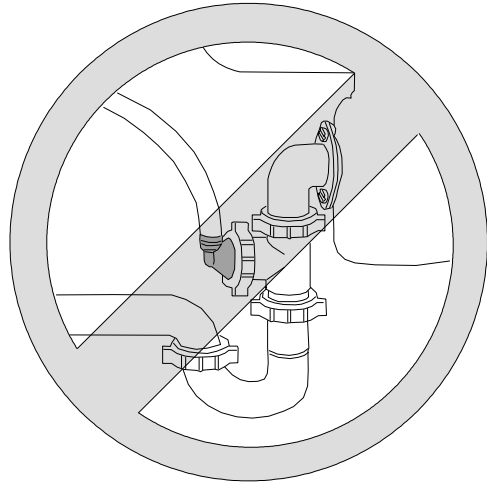


CONFIGURATION – B (Not Recommended)

For best results, use Configuration – A only



CONFIGURATION-B

CAUTION: Be careful not to overtighten any nuts on plastic fittings.

NOTE: To connect reverse osmosis reject water drain line to the plumbing of a single compartment sink without disposal, or a double compartment sink, please request an ET112-001.

Drain saddle fittings are prohibited in the United States.

The ET109-001 is designed to be used downstream of an approved air gap.

Serving the
Reverse Osmosis
Water Treatment Industry



Copyright © AIRGAP INTERNATIONAL a Division of Altinex Inc.

MADE IN USA
ASTM F 409



Model: ET109-001 REVERSE OSMOSIS DRAIN LINE ADAPTER

Pat. No. 5,449,456

Pat. No. 5,681,459

Pat. No. 5,944,985

Pat. No. 6,193,879

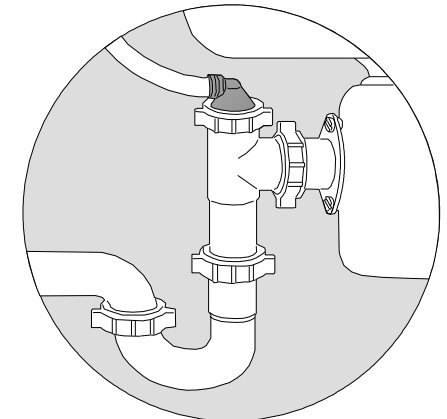
MADE IN USA

► For Single Compartment
Sink with Disposal



ASTM F 409

Old Part Number:
9-25QC
DLA-9™









ET109-001

Installation Procedures

For Single Compartment Sink with Disposal

LIST OF PARTS ENCLOSED

1 – Drain Line Adapter with 1/4-inch Push-In Connection	
1 – Disposal (Baffle) Tee	
1 – Flanged Tailpiece.....	
2 – Slip Joint Wing Nuts.....	
2 – Slip Joint Beveled Washers	
1 – Locking clip for 1/4" tube.....	

• **The ET109-001 converts the plumbing of a single sink/disposal installation to receive the reject water from an under-counter reverse osmosis appliance.**

• **To install the ET109-001 reverse osmosis reject water Drain Line Adapter, follow these instructions.**

CONFIGURATION – A(Recommended)

1. Remove disposal ell and J-bend from disposal and trap. Use a bowl to catch trap water. (See Fig. 1)
2. Cut new flanged tailpiece (provided) leaving approximately 1-1/2 to 2 inches from the flange, so that when positioned between disposal and disposal tee (provided), the tailpiece of the tee will line up and insert into J-bend of a trap. (See Figs. 2a & 2c)

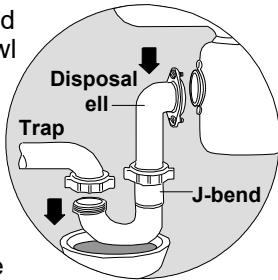


FIG. 1

Always ensure that tube ends are cut squarely and inserted into the bottom of all slip joint sockets.

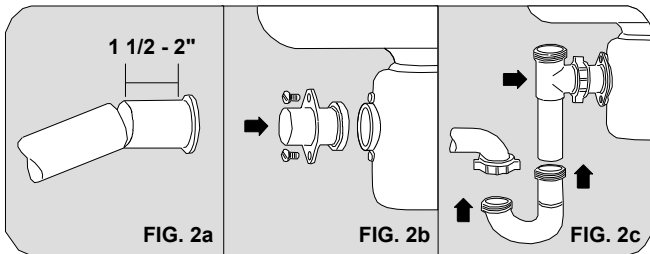


FIG. 2a

FIG. 2b

FIG. 2c

NOTE: in some cases, it may be necessary to rotate the disposal and J-bend to gain the distance required to line up the new disposal tee. To do this, loosen the disposal locking ring, turn disposal as desired, then tighten.

3. Reuse rubber gasket from disposal ell by mounting on the flange of the new tailpiece. (See Fig. 2b)

4. Insert a new drain line adapter with a push-in connector (provided) into the top of the disposal tee until it firmly seats on the bottom of the socket. Gently secure with slip-joint washer and wing nut (provided). (See Fig. 3)

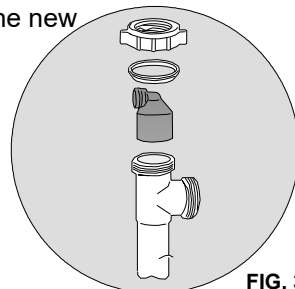


FIG. 3

5. Mount gasket end of the cut tailpiece to disposal in the reverse order that disposal ell was removed (See Fig. 2b). Then install side outlet of disposal tee securely onto the cut end of tailpiece with S.J. washer and wing nut (provided). (See Fig. 2c)

6. Replace J-bend by sliding onto trap and tailpiece of disposal tee simultaneously. Secure tightly by reusing original S.J. nuts and washer. (See Fig. 2c & 4)

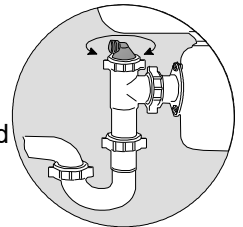


FIG. 4

7. Rotate push-in connector towards incoming reject water drain tubing and secure tightly with wing nut. (See Fig. 4)

8. Insert drain tubing into the push-in connector to complete the installation. (See Fig. 5)

IMPORTANT:

- Use high quality 1/4-inch O.D. tubing of the exact size and roundness with no surface nicks or scratches.
- Always make a clean square cut preferably using a plastic tube cutter or sharp razor knife.
- Remove locking clip from quick connect fitting.
- Apply it back after tube installed.
- Clip fits around the collet to prevent leaks or accidental disconnect.
- Tube should be lower on drain side than disposal side.

CAUTION:

- For a leak-free connection, the tubing must be pushed fully into the bottom of the socket. (Alternatively, you can measure 7/16-inch from the end of the tube and insert it until full stop.)
- Check that connection is a leak-free.

FIG. 5
Speed Fit/Push-in Connector

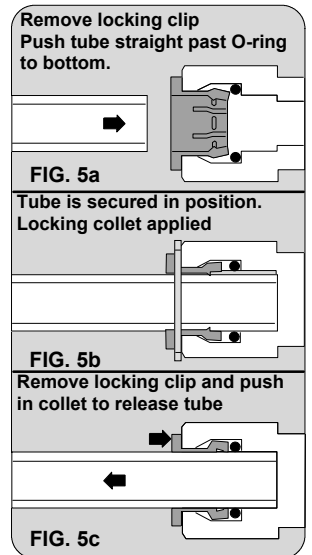


FIG. 5a

FIG. 5b

FIG. 5c