

4. The AG110-002 must be installed with the "C/L" line above the sink's rim, sump, floor drain, floor grate, or standpipe where the discharge tubing is terminated. The AG110-002 must be installed vertically. Secure AG110-002 with provided mounting screws (See Fig 1-4).

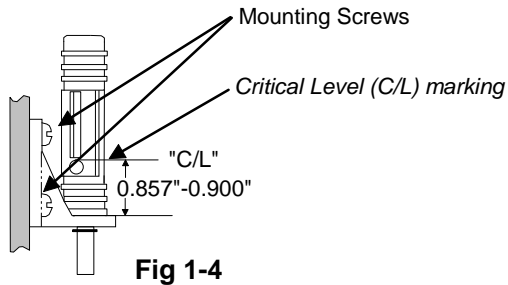


Fig 1-4

5. Connect 3/8" OD poly tubing from your RO unit to AG110-002 inlet port and 3/8" OD poly tubing from the AG110-002 outlet port to the drain pipe. Use provided clamps and screws to secure tubing. (See FIG 1-5)

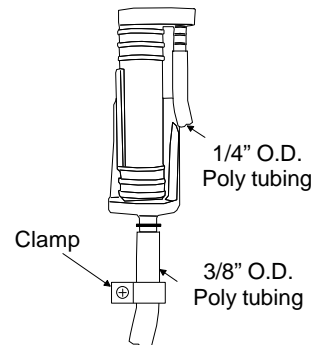


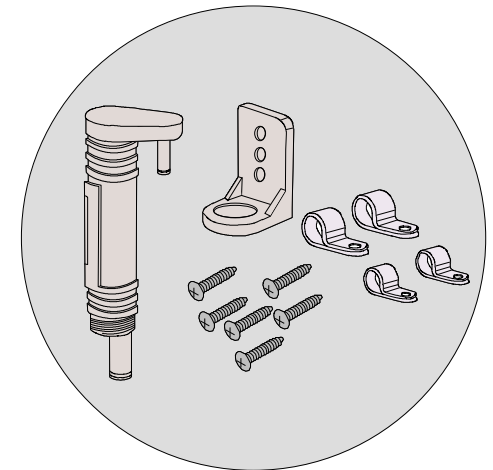
Fig 1-5



Model:

AG110-002

**REVERSE OSMOSIS
AIR GAP**



Old Part Number:

GAP-A-RO, KIT S-B

Doc.#400-0807-001

AG110-002

Installation Procedures

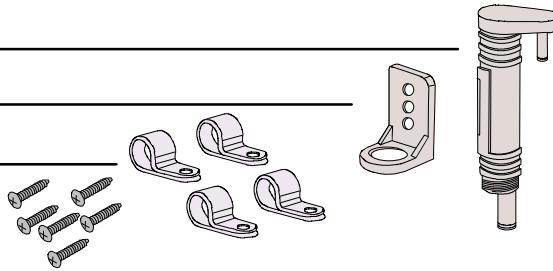
LIST OF PARTS ENCLOSED

1- Reverse Osmosis Air Gap

1- Mounting Bracket

4- 3/8 Nylon Clamp

6- #6-1", Phillips Pan Head Screws



The AG110-002 Reverse Osmosis Filter Air Gap prevents back-flow from the discharge line into the RO system. The discharge water flows out of the reverse osmosis system into the air gap inlet, passes air-gap, and then down to the drain piping.

- Secure connection of inlet and outlet ports.
- Tested for maximum 0.4 GPM (1.5 Liters/minute)
- Suggested flow rate 1 to 16 oz/minute (30 to 500 milliliters/minute)
- UPC® listed, tested for compliance with IPC and NSF standards

Always comply with local plumbing codes during installation

Please read the instructions once through before starting.

AG110-002 INSTALLATION INSTRUCTION

1. Make sure that the flow rate output of the RO equipment meets AG110-002 flow capacity limits such as 0.4 GPM (1.5 Liters/minute).
2. Check inlet and outlet ports marking on AG110-002 body and install AG110-002 into the threaded opening of the mounting bracket as shown on FIG 1-1 (mounting options 1 and 2), for dimensions see FIG 1-2.

Mounting option 1

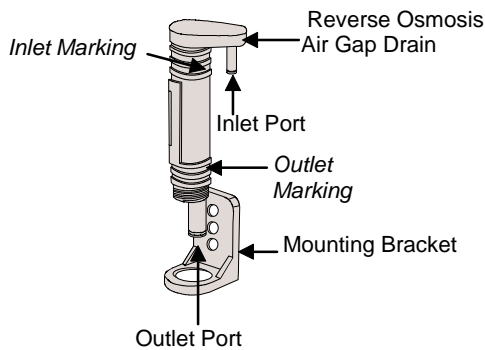


Fig 1-1

Mounting option 2

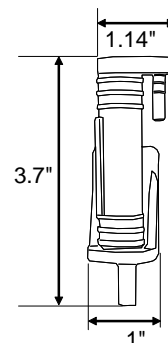
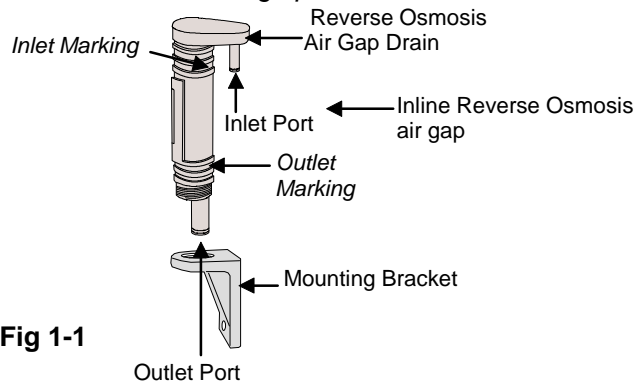
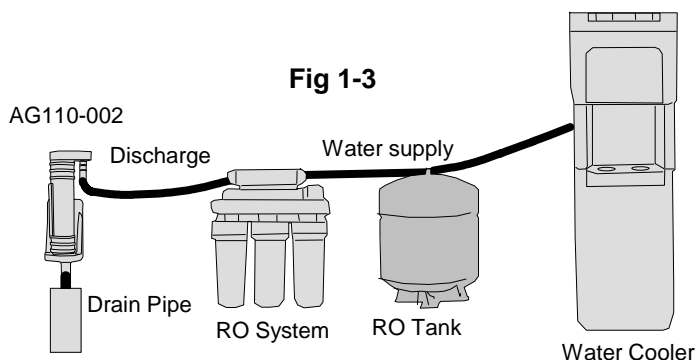


Fig 1-2

Fig 1-3



3. AG110-002 is a gravity flow device and must have an outlet poly tubing feeding directly to a drain without kinks or bends. The AG110-002 must be permanently connected to enable the discharge water to flow freely through the outlet tubing. (See FIG 1-3)