



ACUDOR Products Inc.

(Address 1) 80 Little Falls Rd, Fairfield NJ 07004 USA
(Address 2) 4216 N. Pecos Rd, Ste. 104 Las Vegas, NV 89115
Tel : 800-722-0501 Fax : (973) 575-5160
www.acudor.com e-mail : info@acudor.com

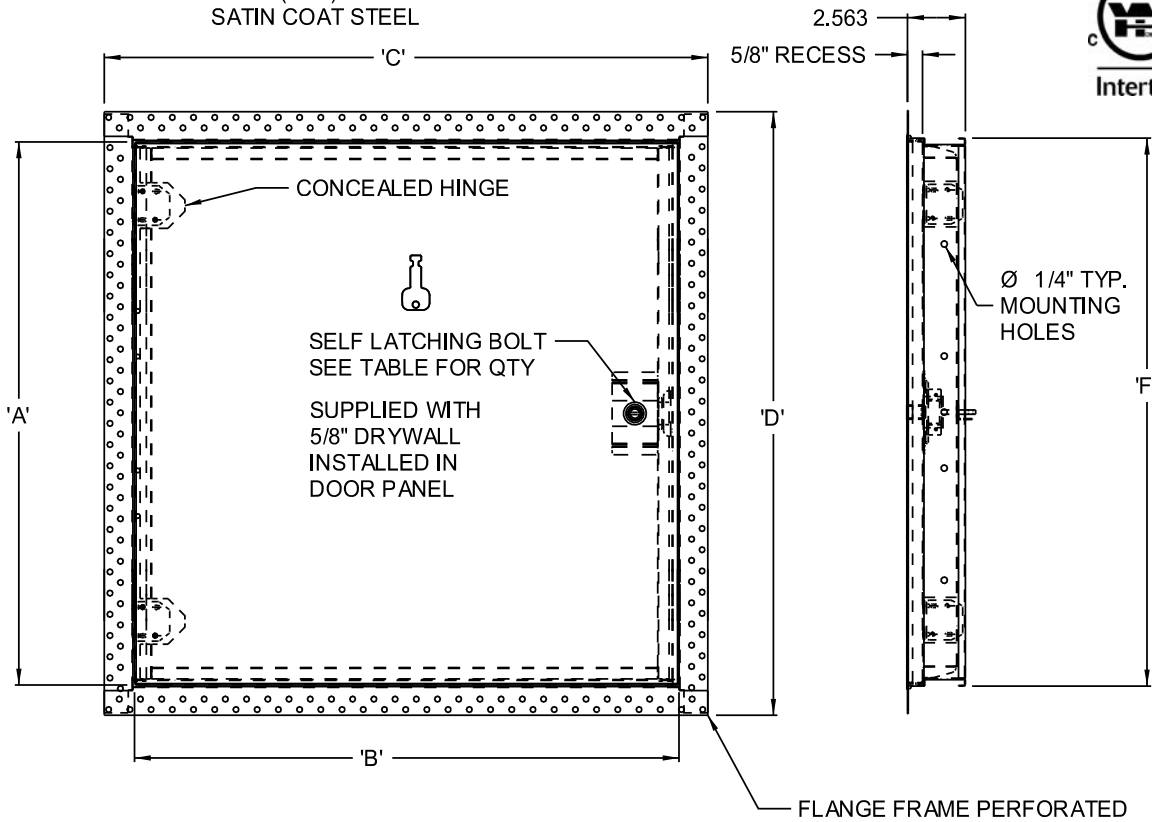
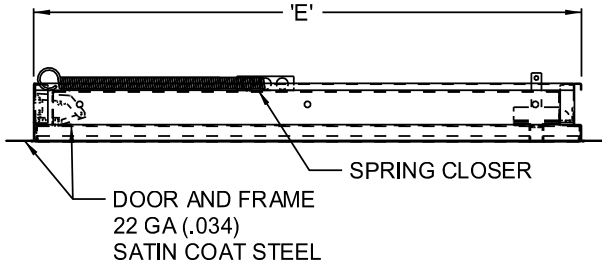
FW-5015

RECESSED FOR DRYWALL

QTY.	NOMINAL SIZE	A	B	C	D	E	F	LATCH QTY
	12 x 12 (305 x 305)	11.83 (300)	11.89 (302)	14.48 (368)	14.48 (368)	12.04 (306)	12.04 (306)	1
	14 x 14 (356 x 356)	13.83 (351)	13.89 (353)	16.48 (419)	16.48 (419)	14.04 (357)	14.04 (357)	1
	16 x 16 (406 x 406)	15.83 (402)	15.89 (404)	18.48 (469)	18.48 (469)	16.04 (407)	16.04 (407)	1
	18 x 18 (457 x 457)	17.83 (453)	17.89 (454)	20.48 (520)	20.48 (520)	18.04 (458)	18.04 (458)	1
	22 x 30 (560 x 762)	29.83 (758)	21.89 (556)	24.48 (571)	32.48 (825)	22.04 (560)	30.04 (763)	2
	22 x 36 (580 x 914)	35.83 (910)	21.89 (556)	24.48 (571)	38.48 (977)	22.04 (560)	36.04 (915)	2
	24 x 24 (610 x 610)	23.83 (605)	23.89 (607)	26.48 (673)	26.48 (673)	24.04 (611)	24.04 (611)	1
	24 x 36 (610 x 914)	35.83 (910)	23.89 (607)	26.48 (673)	38.48 (977)	24.04 (611)	36.04 (915)	2

VERTICAL WALLS

FOR USE IN VERTICAL WALLS FIRE RATED FOR UP TO 90 MINUTES WITH TEMPERATURE RISE RATING OF MAXIMUM 250° C (450° F) OVER 30 MINUTES. CONFORMS TO: UL10(B) CERTIFIED TO: CAN/ULC S104 THIS DOOR HAS BEEN APPROVED BY WARNOCK HERSEY INTERNATIONAL (MAX. SIZE 24" x 36").



STANDARD FEATURES: UNIVERSAL SELF LATCHING BOLT- OPERATED BY FLUSH KEY, WITH INSIDE TURN RELEASE.
OPTIONS: SATIN COAT STEEL, MILL FINISH

LOCK TYPE
 RIM CYLINDER LOCK

FIRE RATED SPECIAL SIZES:
SPECIAL SIZES CAN BE ORDERED, BUT BASIC CONSTRUCTION MUST REMAIN CONSTANT TO COMPLY WITH WARNOCK HERSEY INTERNATIONAL REGULATIONS.

JOB NAME:
CUSTOMER:

APPROVED BY:
DATE: