



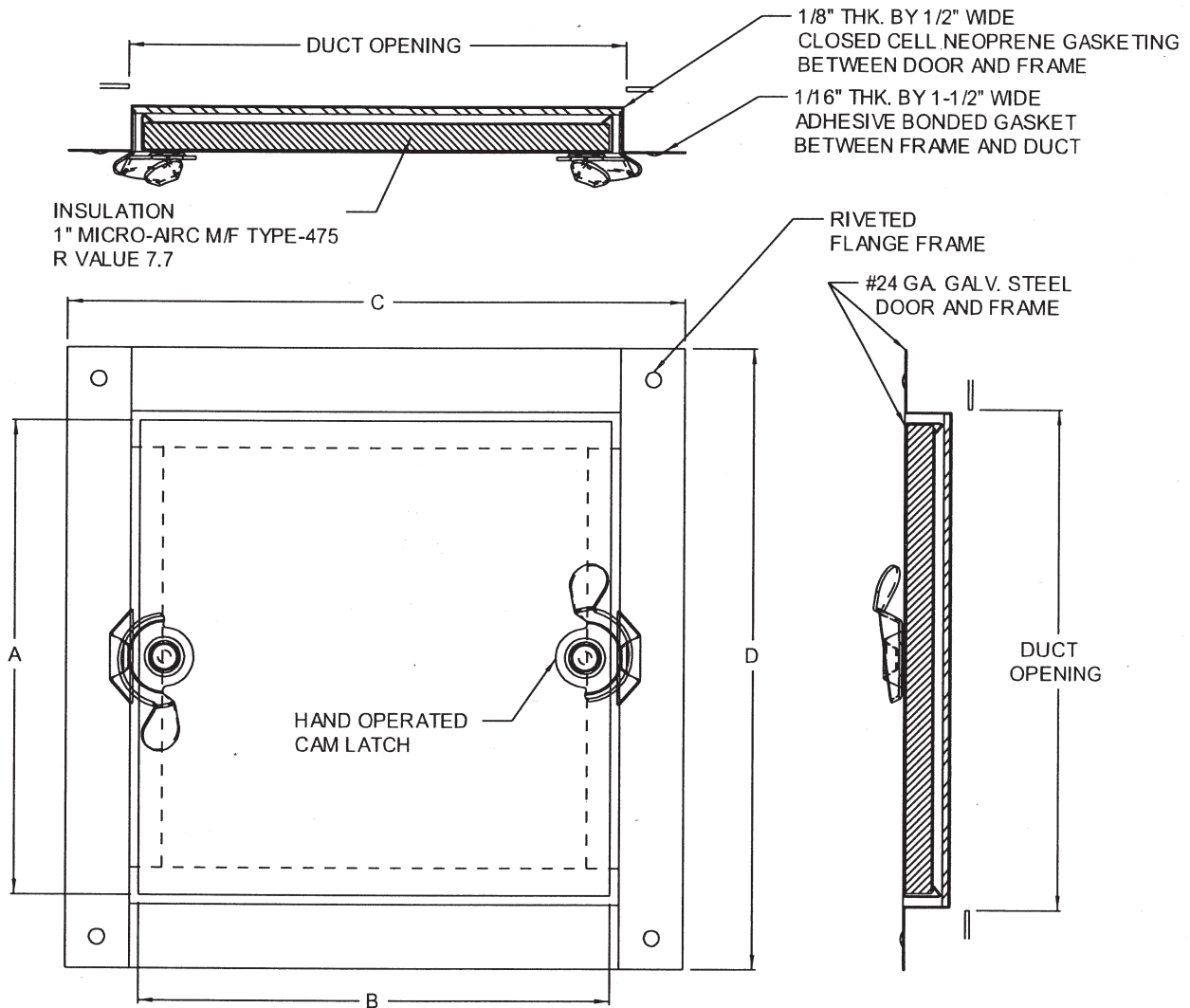
# ACUDOR Products Inc.

(Address 1) 80 Little Falls Rd. Fairfield NJ 07004 USA  
 (Address 2) 4216 N. Pecos Rd, Ste. 104 Las Vegas, NV 89115  
 Tel : 800-722-0501 Fax : (973) 575-5160  
 www.acudor.com e-mail : info@acudor.com

# CD-5080-F

## NON-HINGED DUCT DOOR FOR DUCTBOARD/FIBERGLASS DUCT

| QTY. | NOMINAL SIZE        | A            | B            | C            | D            | DUCT OPENING        | LATCH |
|------|---------------------|--------------|--------------|--------------|--------------|---------------------|-------|
|      | 6 x 6 (152 x 152)   | 5.375 (137)  | 5.375 (137)  | 8.875 (225)  | 8.875 (225)  | 6 x 6 (152 x 152)   | 2     |
|      | 8 x 8 (203 x 203)   | 7.375 (187)  | 7.375 (187)  | 10.875 (276) | 10.875 (276) | 8 x 8 (203 x 203)   | 2     |
|      | 10 x 10 (254 x 254) | 9.375 (238)  | 9.375 (238)  | 12.875 (327) | 12.875 (327) | 10 x 10 (254 x 254) | 2     |
|      | 12 x 12 (304 x 304) | 11.375 (289) | 11.375 (289) | 14.875 (378) | 14.875 (378) | 12 x 12 (304 x 304) | 2     |
|      | 14 x 14 (356 x 356) | 13.375 (340) | 13.375 (340) | 16.875 (429) | 16.875 (429) | 14 x 14 (356 x 356) | 2     |
|      | 16 x 16 (406 x 406) | 15.375 (391) | 15.375 (391) | 18.875 (479) | 18.875 (479) | 16 x 16 (406 x 406) | 2     |
|      | 18 x 18 (457 x 457) | 17.375 (441) | 17.375 (441) | 20.875 (530) | 20.875 (530) | 18 x 18 (457 x 457) | 2     |



STANDARD FEATURES: REMOVABLE DOOR PANEL, SELF TIGHTENING HAND OPERATED CAM LATCH, GALVANIZED STEEL, MILL FINISH.

OPTIONS:  
 LOCK TYPE  
 OTHER

MATERIAL  
 STAINLESS STEEL  
 ALUMINUM  
 OTHER

JOB NAME:  
 CUSTOMER:

APPROVED BY:  
 DATE: