

<b>Part No.</b>	<b>Reference No.</b>	<b>Quantity</b>	<b>Description</b>
158#FURUP193~S	*		ACCESSORIES
75009928#FURUP193~S	*		BLOWER ASSEMBLY
75000955#FURUP193~S	*		BURNER ASSEMBLY
FUR193_FURUP193_141820~P	*		FURUP193 PARTS LIST
75004467#FURUP193~S	*		GENERAL ASSEMBLY
75000987#FURUP193~S	*		INDUCED BLOWER AND FLUE ASSEMBLY
75008227#FURUP193~S	*		MODEL NUMBER NOMENCLATURE

NO GRAPHIC AVAILABLE

75013702

REV  
A

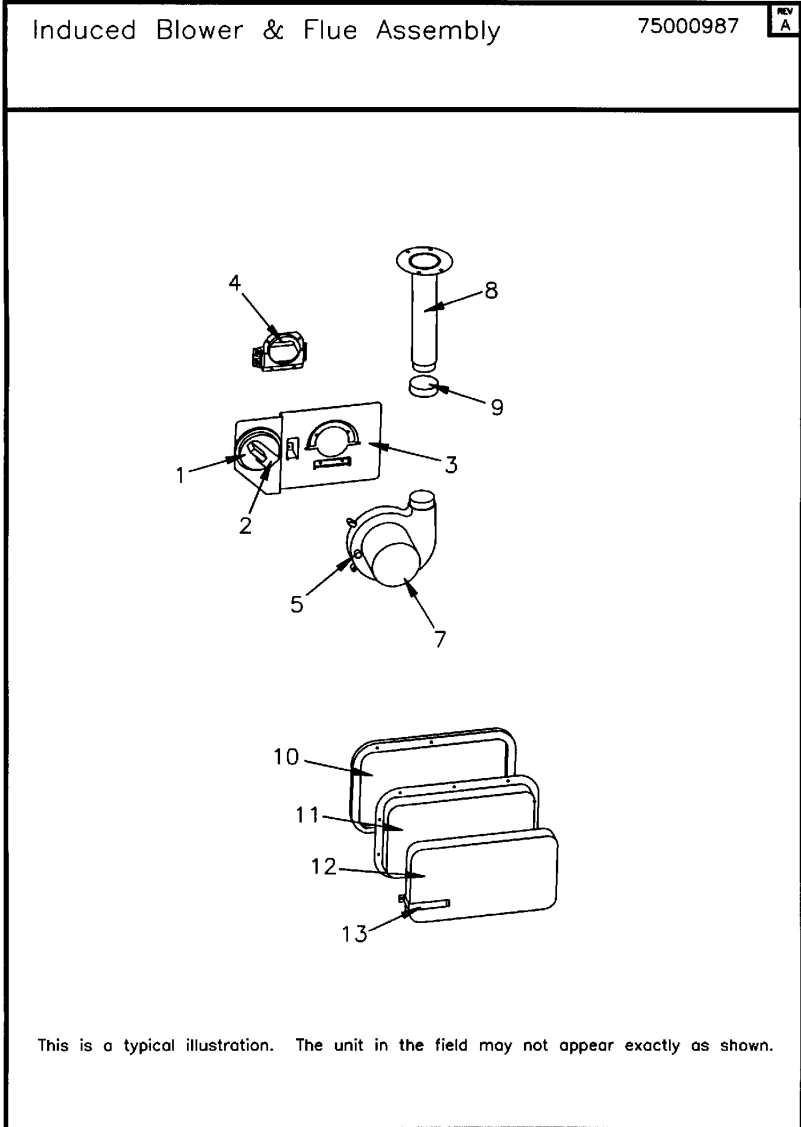
**NO  
GRAPHIC  
AVAILABLE**



Part No.	Reference No.	Quantity	Description
75004467_FURUP193_307988~P	*		GENERAL ASSEMBLY PARTS LIST



Part No.	Reference No.	Quantity	Description
BUS01429	*	1	BUSHING; SNAP, .83 O.D. X .63 I.D. X .25, BLACK, NYLON, .75 MOUNTING HOLE DIA.
CLP00195	*	2	CLIP; SPRING
CON00336	*	1	CONNECTOR; (BARB TUBE)
CON00374	*	1	CONNECTOR; 12 PIN MALE
CPL00938	*	1	COUPLING; REDUCING COUPLING ASSEMBLY - INCLUDES C341097P01 (CPL00838) AND A341677P01 (POLYPROPYLENE PAD). 2.00 TO 3.0 WHITE PVC COUPLING ADAPTER.
DOR02722	*	1	DOOR; BLOWER DOOR ONLY
FLR03829	*	1	FILTER; REPLACEMENT FILTER RACK ASSEMBLY
GRM00217	*	1	GROMMET; BURNER BOX ENTRY SEAL
PAI00074	*	1	PAINT; SPRAY, SLATE GREY, FULL GLOSS(88) (SHIPPING UOM 12 OZ HAZ)
PLT03670	*	1	PLATE; DOOR MOUNTING, UPFLOW 90% FURNACE, 24.50 CABINET SIZE
SHD00243	*	1	SHIELD; RADIATION
TUB08058	*	1	TUBE-FEMALE TRANSFER
WIR04584	*	1	WIRE; HARNESS ASSEMBLY, INCLUDING INDUCER/IGNITOR HARNESS W/4PIN MALE CONNECTOR AND CONTROL HARNESS W/12 PIN MALE CONNECTOR.
EXC02170	2	1	EXCHANGER; HEAT EXCHANGER WITH RCT00852
DOR03821	3	1	DOOR; REPLACEMENT BLOWER ASSEMBLY ASD
COV02146	5	1	COVER; TOP PANEL ASSEMBLY, COMPLETE WITH SPG00309 PLUS RIV00071
COV02498	6	1	COVER; TOP COVER ONLY. PAINTED. COMPLETE ASM. IS COV02146
SPG00309	7	1	SPRING; DOOR RETAINER, INCLUDED IN COVER ASSEMBLY
RIV00071	8	1	RIVET; POP, QTY 100 PER BOX COMPLETE COVER ASSEMBLY WILL INCLUDE THIS
CNL00957	9	1	CHANNEL; BOTTOM
PNN03252	10	1	PANEL; BOTTOM
DOR02746	13	1	DOOR; BURNER ONLY
GLS00164	14	1	PLUG; 0.75 MTG HOLE SNAP-IN
PLT04523	15	1	PLATE; NAMEPLATE ASSEMBLY - ASD
BAF00854	16	1	BAFFLE; HEAT EXCHANGER
IRT00020	18	5	INSERT; BURNER
BOX01499	19	1	BOX; JUNCTION BOX
COV03320	20	1	COVER; JUNCTION BOX COVER
BUS00300	21	1	BUSHING; STRAIN RELIEF
MNT02206	22	1	MOUNT; IFC CONTROL PLATFORM
CNT07541	23	1	CONTROL; 1 STAGE, 120V HSI, 1 SPEED IND WITHOUT COVER
TRR01816	24	1	TRANSFORMER;
GRM00855	25	1	GROMMET; 1.75 WIDE X .18 THICK, MOLDED CHLOROPRENE, 80 DUROMETER
BRK01989	26	1	BRACKET; DOOR SWITCH
SWT01714	27	1	SWITCH; DOOR SPST, 21 AMP, 125/250VAC
SWT01635	28	1	SWITCH; THERMAL LIMIT OPEN 180F, CLOSE 150F
GKT03506	29	1	GASKET; LIMIT SWITCH
TRP00007	30	1	TRAP; CANNISTER
TUB11753	31	1	TUBE; CONDENSATE TUBE ASSEMBLY, COLD HEADER TO CANISTER TRAP. INCLUDES HOSE AND CLAMP.
TUB11759	32	1	TUBE; CONDENSATE TUBE ASSY, TRAP TO FURNACE CABINET (FIELD CONNECTION). INCLUDES HOSE, CLAMP, BARBED ADAPTER, COUPLING, SMALL HOSE W/ BARBED CONNECTOR
TUB11750	35	1	TUBE; CONDENSATE TUBE ASSEMBLY, INDUCER TO CANISTER TRAP. INCLUDES HOSE AND CLAMP.
COL09285	37	1	COIL; RECOUP ASSEMBLY
SUP02793	38	1	SUPPORT; HEAT EXCHANGER
BAF00854	39	1	BAFFLE; HEAT EXCHANGER



Parts List Number :FUR193#FURUP193

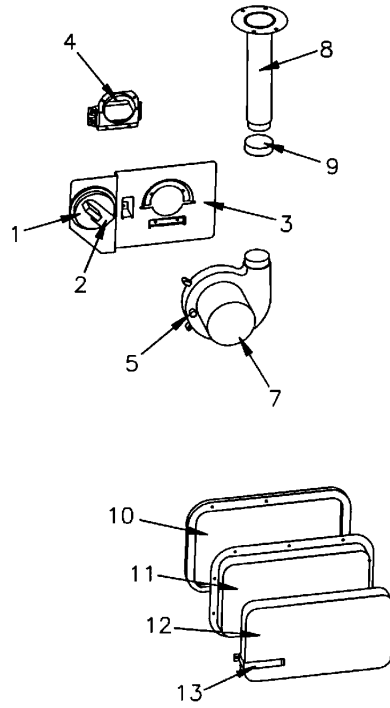
Model Number :AUH1D100A9601CB

Part No.	Reference No.	Quantity	Description
75000987_FURUP193_183922~P	*		INDUCED BLOWER AND FLUE ASSEMBLY PARTS LIST

Induced Blower & Flue Assembly

75000987

REV  
A

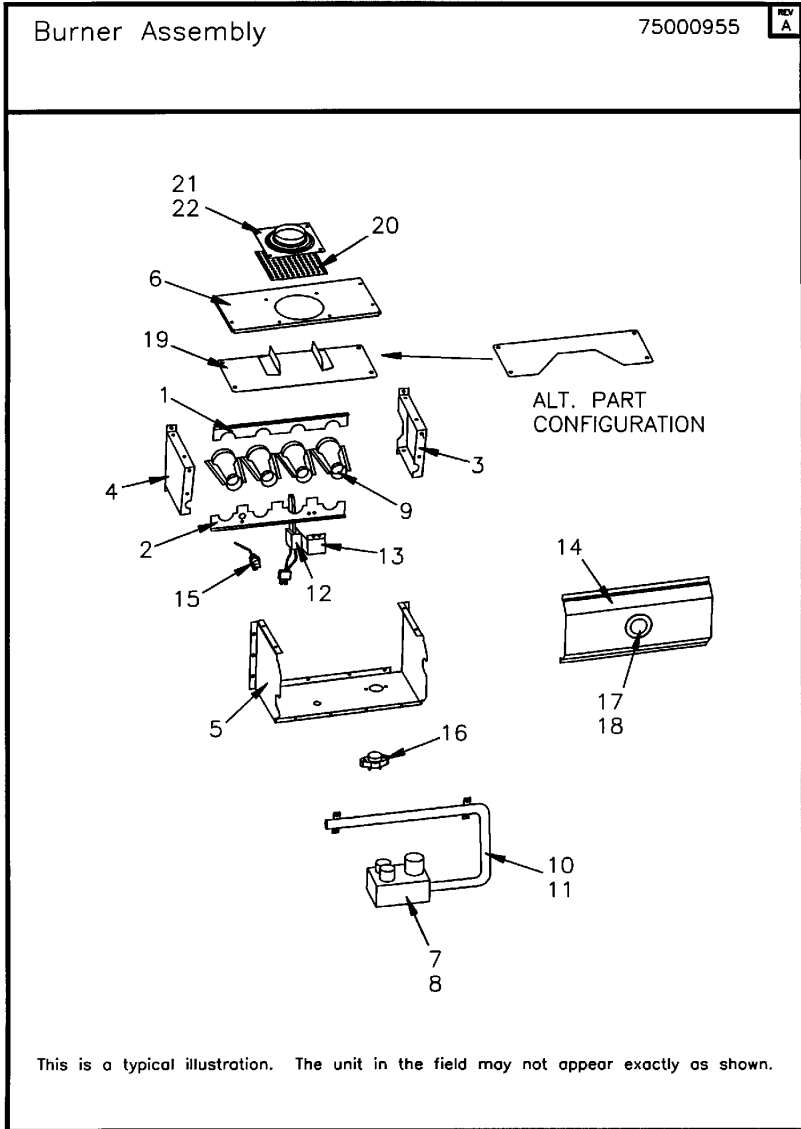


This is a typical illustration. The unit in the field may not appear exactly as shown.

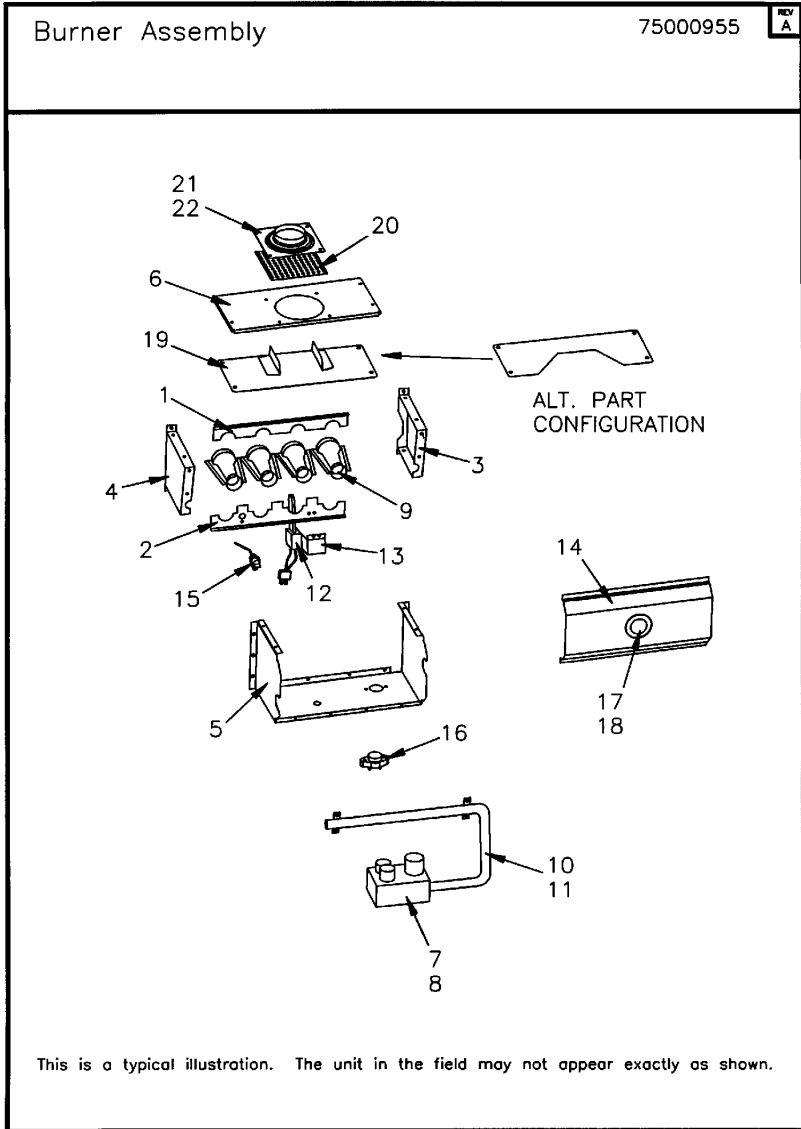
Parts List Number :FUR193#FURUP193

Model Number :AUH1D100A9601CB

Part No.	Reference No.	Quantity	Description
SWT02685	*	1	SWITCH; LIMIT INDUCER, OPEN 155 DEG, CLOSE 95 DEG F
TUB12136	*	1	TUBE; DIRECT VENT HOSE ASSEMBLY. DIRECT VENT BOX TO GAS VALVE. ASSEMBLY INCLUDES: BLACK RUBBER TUBING AND BARBED TYPE ADAPTER, TEE00195.
SWT03324	1	1	SWITCH, PRESSURE, OPEN AT -1.44 WC, CLOSE AT -1.66 WC
MNT02266	3	1	MOUNT; INDUCER MOTOR MOUNTING PLATE, GALVANIZED STEEL
RCT00851	4	1	RECEPTACLE; TRANSITION INCLUDING FOUR MOUNTING SCREWS
CAP00453	5	1	CAP; VINYL
BLW01139	7	1	BLOWER; INDUCER DRAFT, 1-STAGE, BALL BEARING
PIP00364	8	1	PIPE; FLUE, MOLDED
CMP00381	9	1	CLAMP; FLUE STACK PIPE TO INDUCED BLOWER
GKT02606	10	1	GASKET;COLLECTOR BOX
BOX00581	11	1	BOX; FLUE COLLECTOR
INS01974	12	1	INSULATION; COLLECTOR BOX



Part No.	Reference No.	Quantity	Description
75000955_FURUP193_305211~P	*		BURNER ASSEMBLY PARTS LIST



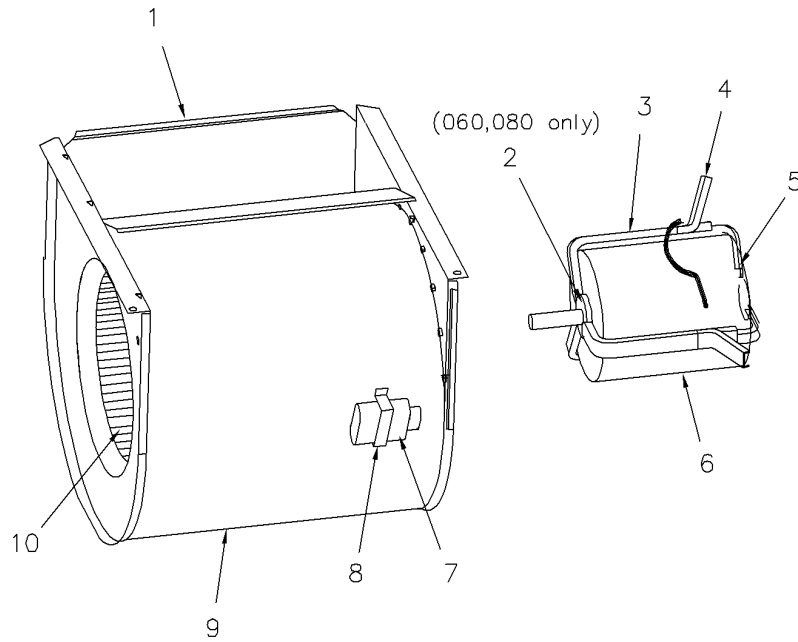
Part No.	Reference No.	Quantity	Description
GKT03086	*	1	GASKET; VENT BOX
GKT03087	*	1	GASKET; VENT BOX
BRK01962	1	1	BRACKET; TOP
BRK01529	2	1	BRACKET; BURNER
SUP02127	3	1	SUPPORT; BURNER-RIGHT HAND
SUP02126	4	1	SUPPORT; BURNER-LEFT HAND
BOX01405	5	1	BOX; DIRECT VENT
COV02563	6	1	COVER; TOP, DIRECT VENT
VAL09028	7	1	VALVE; GAS, FAST OPENING 1/2-14 NPT, 24V, 50/60 HZ, "J" SERIES
PIP00343	8	1	PIPE; COMPOUND
BNR01074	9	5	BURNER; ALUMINUM STL, .50 INSERT DIA, TOG-L-LOC
ORF01427	10	5	ORIFICE; SPUD, DRILL #45, BRASS
MFD00737	11	1	MANIFOLD; GAS
IGN00152	12	1	MIN=12/12 IGNITER; SILICON-NITRIDE, 120V, INCLUDES BRACKET AND SCREWS
BRK03336	13	1	BRACKET; SiNi IGNITOR BRACKET
COV03012	14	1	COVER; FRONT, D.V.
SEN01114	15	1	SENSOR; FLAME, NIKROTHAL 80 MATERIAL
SWT02124	16	1	SWITCH; SWITCH-FLAME ROLLOUT, 82 DEGREES C, 180 DEGREES F, NON-TRIP FREE, 5.8 FLA, 34.8 LRA AT 120 VAC, 24 VAC, MANUAL RESET, FIXED TEMPERATURE THERMOSTAT AND NON-ADJUSTABLE.
GLS00820	18	1	GLASS; SIGHT
PLT02777	19	1	PLATE; DEFLECTOR
GKT03082	21	1	GASKET; INLET, 4.0 X 4.0 NONWOVEN FIBERGLASS
ADP01053	22	1	ADAPTER; FLUE CONNECTOR WITH PERFORATED AIR DIFFUSER, 3 INCH DIAMETER, PLASTIC

Blower

75009928

REV  
A

Typical illustration. Unit may not appear exactly as shown.



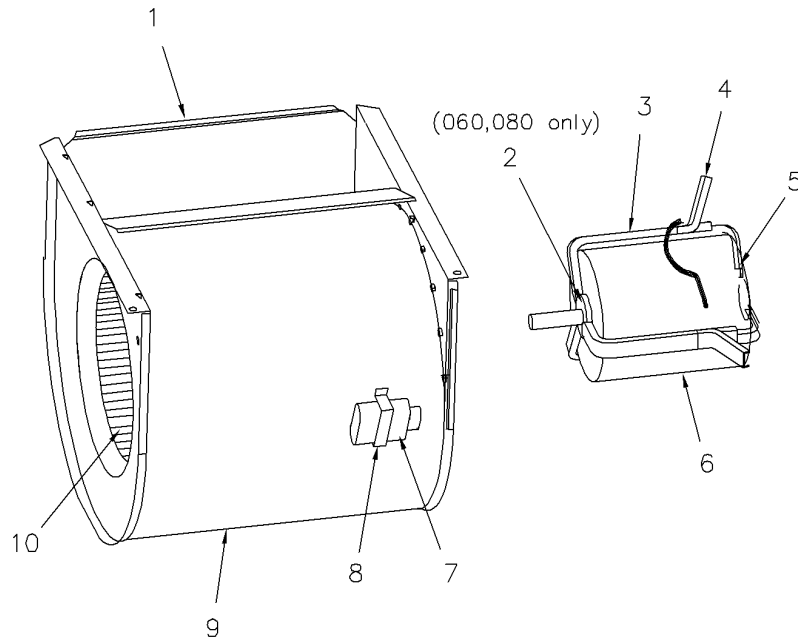
Part No.	Reference No.	Quantity	Description
75009928_FURUP193_183930~P	*		BLOWER ASSEMBLY PARTS LIST

Blower

75009928

REV  
A

Typical illustration. Unit may not appear exactly as shown.



Part No.	Reference No.	Quantity	Description
BLW01129	1	1	BLOWER;COMPLETE ASSEMBLY
BRK00691	3	1	BRACKET; ASSEMBLY, LONG, 5.00 X 2.39, INCLUDES RING CUP
SUP03399	4	3	SUPPORT; HANGER
BRK00690	5	1	BRACKET; ASSEMBLY, SHORT, 4.06 X 2.31, INCLUDES RING CUP
MOT11994	6	1	MOTOR; 3/4 HP, 115/60/1, 1100 RPM, TYPE PSC, 48 FRAME, CCW, SLEEVE BEARING, 15 MFD @ 370V, INCLUDES RESILIENT RINGS
CPT00478	7	1	CAPACITOR; RUN, 15 MFD, 370VAC, OVAL, W/O RESISTOR
SRP00841	8	1	STRAP;
HUS04039	9	1	HOUSING; ASM, FAN
WHL02057	10	1	WHEEL; BLOWER, 11.7 X 10.6, .50 BORE, CW ROTATION

MODEL NUMBER DESCRIPTION		75008227	REV A
FURNACES			
T U D 1 A 0 8 0 A 9 3 6 1 A A 1 2 3 4 5 6 7 8 9 10 11 12 13 14 15			
<p>Digit 1 Brand T = Trane A = American Standard C = STANDARD</p> <p>Digit 2 Configuration H = Horizontal U = Upflow or Upflow/Horizontal D = Downflow or Downflow/Horizontal M = Multiphase 4-Way</p> <p>Digit 3 Product Family B = 80% Induced Draft Standard "Tradenames" E = 80% Induced Draft Standard D = 80% Induced Draft Premium C = 90% Condensing 1 Pipe X = 90% Direct Vent 1 or 2 Pipe</p> <p>Digit 4 Heating Stages 1 = Single Stage 2 = Two Stage 3 = Three Stage V = Modulating</p> <p>Digit 5 Cabinet Width A = 14.5" Cabinet Width B = 17.5" Cabinet Width C = 21.0" Cabinet Width D = 24.5" Cabinet Width</p> <p>Digits 6,7,8 Capacity 080 = Heating Input MBTUH</p>	<p>Digit 9 Major Modification A = Major Design Change</p> <p>Digit 10 Voltage 9 = 115 Volts / Natural Gas F = 115 Volts / Natural Gas with Integrated Electronic Filter</p> <p>Digits 11 &amp; 12 Airflow-Blower Type 36 = 3 Ton Standard PSC Motor H3 = 3 Ton High Efficiency Motor V3 = 3 Ton Variable Speed Motor</p> <p>Digit 13 Draft Inducer Speed 1 = Single Speed 2 = Two speed V = Variable Speed</p> <p>Digit 14 Minor Modification A = Minor Design Change</p> <p>Digit 15 Service Digit A = Service Digit</p>		

Part No.	Reference No.	Quantity	Description
75008227_FURUP193_141832~P	*		MODEL NUMBER NOMENCLATURE PARTS LIST

MODEL NUMBER DESCRIPTION		75008227	REV A
FURNACES			
T U D 1 A 0 8 0 A 9 3 6 1 A A 1 2 3 4 5 6 7 8 9 10 11 12 13 14 15			
<p>Digit 1 Brand T = Trane A = American Standard C = STANDARD</p> <p>Digit 2 Configuration H = Horizontal U = Upflow or Upflow/Horizontal D = Downflow or Downflow/Horizontal M = Multiphase 4-Way</p> <p>Digit 3 Product Family B = 80% Induced Draft Standard "Tradenames" E = 80% Induced Draft Standard D = 80% Induced Draft Premium C = 90% Condensing 1 Pipe X = 90% Direct Vent 1 or 2 Pipe</p> <p>Digit 4 Heating Stages 1 = Single Stage 2 = Two Stage 3 = Three Stage V = Modulating</p> <p>Digit 5 Cabinet Width A = 14.5" Cabinet Width B = 17.5" Cabinet Width C = 21.0" Cabinet Width D = 24.5" Cabinet Width</p> <p>Digits 6,7,8 Capacity 080 = Heating Input MBTUH</p>	<p>Digit 9 Major Modification A = Major Design Change</p> <p>Digit 10 Voltage 9 = 115 Volts / Natural Gas F = 115 Volts / Natural Gas with Integrated Electronic Filter</p> <p>Digits 11 &amp; 12 Airflow-Blower Type 36 = 3 Ton Standard PSC Motor H3 = 3 Ton High Efficiency Motor V3 = 3 Ton Variable Speed Motor</p> <p>Digit 13 Draft Inducer Speed 1 = Single Speed 2 = Two speed V = Variable Speed</p> <p>Digit 14 Minor Modification A = Minor Design Change</p> <p>Digit 15 Service Digit A = Service Digit</p>		

Parts List Number :FUR193#FURUP193

Model Number :AUH1D100A9601CB

Part No.	Reference No.	Quantity	Description
158_FURUP193_183916-P	*		ACCESSORIES PARTS LIST

NO GRAPHIC AVAILABLE

75013702

REV  
A

**NO  
GRAPHIC  
AVAILABLE**

Part No.	Reference No.	Quantity	Description
FLR05570	*	1	FILTER; FRAME ASSEMBLY (BAYFLTR200)
FLR05586	*	1	FILTER; VARI-PLUS MINI-PLEAT, 20H X 24W X 12D, FIBERGLASS MEDIA, 60-65% EFFICIENT, VPL-6515
KIT06444	*	1	KIT; SIDE WALL VENT ASSEMBLY (BAYVENT200B)
KIT06495	*	1	KIT; MANUFACTURED HOUSING (BAYMFGH100A) - CONTAINS A LP CONVERSION KIT, LABELS AND INSTALLATION INSTRUCTIONS.
KIT07475	*	1	KIT; KIT, FILTER RACK (BAYRACK960A)
KIT07613	*	1	KIT; PROPANE CONVERSION (INCLUDES 'G' VALVE INSTRUCTIONS, BAYLPKT210B)
KIT09199	*	1	KIT; LP KIT W/STAINLESS STEEL BURNERS ('G' VALVE INSTRUCTIONS INCLUDED) (BAYLPSS210B)
KIT13738	*	1	KIT; HIGH ALTITUDE PRESSURE SWITCH CONVERSION KIT (BAYSWT01AHALTAA)
KIT13741	*	1	KIT; HIGH ALTITUDE PRESSURE SWITCH CONVERSION KIT (BAYSWT04AHALTAA)
VNT00133	*	1	VENT; CONCENTRIC VENT KIT, (BAYAIR30AVENTAA)