

Part No.	Reference No.	Quantity	Description
75001121#TDEUP25~S	*		BLOWER ASSEMBLY
75000676#TDEUP25~S	*		BURNER ASSEMBLY
75004162#TDEUP25~S	*		GENERAL ASSEMBLY
75000675#TDEUP25~S	*		INDUCED BLOWER AND FLUE ASSEMBLY
75008227#TDEUP25~S	*		MODEL NOMENCLATURE
TDE25_TDEUP25_109905~P	*		TDEUP25 PARTS LIST

NO GRAPHIC AVAILABLE

75013702

REV
A

**NO
GRAPHIC
AVAILABLE**

General Assembly

75004162

REV
A



*NOT ILLUSTRATED

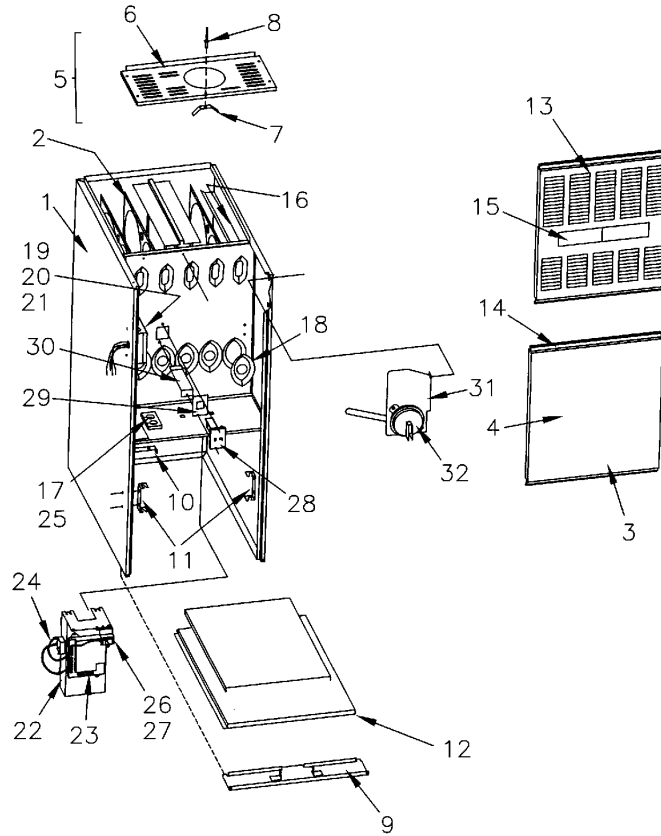
This is a typical illustration. The unit in the field may not appear exactly as shown.

Part No.	Reference No.	Quantity	Description
75004162_TDEUP25_351667~P	*		GENERAL ASSEMBLY PARTS LIST

General Assembly

75004162

REV
A



*NOT ILLUSTRATED

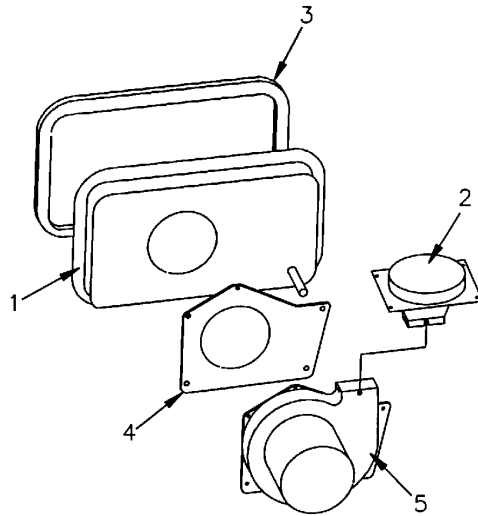
This is a typical illustration. The unit in the field may not appear exactly as shown.

Part No.	Reference No.	Quantity	Description
CLP00887	*	1	CLIP; FILTER RETAINER ASSEMBLY. INCLUDES: SPG00309 AND RTR00133
DOR03131	*	1	DOOR; REPLACEMENT BURNER ASSEMBLY W/HANDLE. FOR DOOR ONLY USE DOR03127.
GKT01700	*	1	MIN=6/6 GASKET; ADAPTER 0.25 X 0.75 X 3.22
GLS00164	*	1	PLUG; 0.75 MTG HOLE SNAP-IN
HDL00832	*	1	HANDLE; DOOR HANDLE
PIP00343	*	1	PIPE; COMPOUND
TUB08301	*	1	TUBE; PRESSURE SWITCH, STAINLESS STEEL, .025 O.D. .035 WALL THK.
CBT01415	1	1	CABINET; REPLACEMENT WRAPPER ASSEMBLY
EXC00999	2	1	EXCHANGER;HEAT
DOR00935	3	1	DOOR; REPLACEMENT FURNACE DOOR ASSEMBLY, POLYSLATE GRAY, INCLUDES: GLS00164 AND CLP00884. DOOR ONLY IS: DOR00658
DOR00658	4	1	DOOR; FURNACE DOOR ONLY, WITH SIGHT GLASS HOLE, PAINT COLOR: POLYSLATE GRAY
COV03067	5	1	COVER; REPLACEMENT TOP COVER ASSEMBLY
COV03165	6	1	COVER; PANEL, TOP ONLY
SPG00309	7	1	SPRING; DOOR RETAINER,INCLUDED IN COVER ASSEMBLY
RIV00071	8	1	RIVET; POP, QTY 100 PER BOX COMPLETE COVER ASSEMBLY WILL INCLUDE THIS
CNL00955	9	1	CHANNEL; BOTTOM
RTR00133	10	1	RETAINER, FILTER
CLP00365	11	1	CLIP; FILTER
DOR03127	13	1	DOOR; BURNER ONLY, WITH HANDLE CUTOUT, LOUVERED, COLOR: POLYSLATE GRAY, 19.96 X 16.63. FOR ASSEMBLY USE DOR03131
CLP00884	14	1	CLIP; ACCESS PANEL
PLT04236	15	1	PLATE; AMERICAN STANDARD APPEARANCE NAMEPLATE, 6.50 X 1.11
BAF00855	16	2	BAFFLE; HEAT EXCHANGER
BAF00500	17	1	BAFFLE; HEAT EXCHANGER,5IN.WIDE X 18.75IN. LG
IRT00020	18	5	INSERT; BURNER
BOX01499	19	1	BOX; JUNCTION BOX
COV03320	20	1	COVER; JUNCTION BOX COVER
BUS00300	21	1	BUSHING; STRAIN RELIEF
MNT02206	22	1	MOUNT; IFC CONTROL PLATFORM
CNT07541	23	1	CONTROL; 1 STAGE, 120V HSI, 1 SPEED IND WITHOUT COVER
TRR01816	24	1	TRANSFORMER;
GRM00855	25	1	GROMMET; 1.75 WIDE X .18 THICK, MOLDED CHLOROPRENE, 80 DUROMETER
BRK01989	26	1	BRACKET; DOOR SWITCH
SWT01714	27	1	SWITCH; DOOR SPST, 21 AMP, 125/250VAC
SWT01258	28	1	SWITCH;THERMAL LIMIT, OPEN AT 170, CLOSE AT 140 DEG. F
SHD00194	30	1	SHIELD;LIMIT
SWT02293	32	1	SWITCH; PRESSURE, 1 POLE, N.O., 1/10 HP, 3 FLA, 18 LRA, 120 VAC, OPEN AT -0.45 TO -0.55 WC, CLOSE AT -0.65 (IS2)
HSE00334	38	1	HOSE; PRESSURE SWITCH

Induced Blower and Flue Assembly

75000675

REV
A



This is a typical illustration. The unit in the field may not appear exactly as shown.

Parts List Number :TDE25#TDEUP25

Model Number :AUE1B100A9361AF

Part No.	Reference No.	Quantity	Description
75000675_TDEUP25_256494~P	*		INDUCED BLOWER AND FLUE ASSEMBLY PARTS LIST

Induced Blower and Flue Assembly

75000675

REV
A



This is a typical illustration. The unit in the field may not appear exactly as shown.

INDUCED BLOWER AND FLUE ASSEMBLY PARTS LIST

Parts List Number :TDE25#TDEUP25

Model Number :AUE1B100A9361AF

Part No.	Reference No.	Quantity	Description
FLU00141	1	1	FLUE; COLLECTOR ASM.
ADP00336	2	1	ADAPTER; FLUE TRANSITION ASSEMBLY
GKT02604	3	1	GASKET;COLLECTOR BOX
GKT03081	4	1	GASKET; VENTER ASSEMBLY
BLW00869	5	1	BLOWER; INDUCER, 1-STAGE



Part No.	Reference No.	Quantity	Description
75000676_TDEUP25_118279~P	*		BURNER ASSEMBLY PARTS LIST



Part No.	Reference No.	Quantity	Description
COV03463	1	1	COVER; BURNER, 15.10 LG
SUP02127	2	1	SUPPORT; BURNER-RIGHT HAND
VAL09029	3	1	VALVE; GAS, SLOW OPENING 1/2-14 NPT, 24V, 50/60 HZ, "J" SERIES
ORF00644	4	5	ORIFICE;SPUD, #45 DRILL
MFD00527	5	1	MANIFOLD; PIPE ASSEMBLY, 5 BURNER
BRK03336	6	1	BRACKET; SiNi IGNITOR BRACKET
IGN00152	7	1	MIN=12/12 IGNITER; SILICON-NITRIDE, 120V, INCLUDES BRACKET AND SCREWS
SEN01114	8	1	SENSOR; FLAME, NIKROTHAL 80 MATERIAL
BRK01529	9	1	BRACKET; BURNER
BNR01074	10	5	BURNER; ALUMINUM STL, .50 INSERT DIA, TOG-L-LOC
SWT02173	11	2	SWITCH; SWITCH-FLAME ROLLOUT
SUP02126	12	1	SUPPORT; BURNER-LEFT HAND
BRK01962	13	1	BRACKET; TOP

Blower Assembly

75001121

REV
B



This is a typical illustration. The unit in the field may not appear exactly as shown.

Part No.	Reference No.	Quantity	Description
75001121_TDEUP25_283737~P	*		BLOWER ASSEMBLY PARTS LIST

Blower Assembly

75001121

REV
B



This is a typical illustration. The unit in the field may not appear exactly as shown.

Part No.	Reference No.	Quantity	Description
BLW00553	1	1	BLOWER; COMPLETE ASM.
HUS01622	2	1	HOUSING;BLOWER
MOT09053	3	1	MOTOR; 1/3 HP, 115/60/1, 1075 RPM, PSC, CCW, 48 FRAME, SLEEVE BEARINGS, FLA 5.8, LRA 12.5, 5 MFD AT 370V
WHL02353	4	1	WHEEL; BLOWER, 48 BLADES, CW, CONCAVE DISC, 10 X 7
RNG00957	5	2	RING; RESILIENT, 2.5 OD
BRK00690	6	1	BRACKET; ASSEMBLY, SHORT, 4.06 X 2.31, INCLUDES RING CUP
BRK00691	7	1	BRACKET; ASSEMBLY, LONG, 5.00 X 2.39, INCLUDES RING CUP
SUP03399	8	3	SUPPORT; HANGER
CPT00266	9	1	CAPACITOR; RUN, 5 MFD, 370V, OVAL, W/O RESISTOR
SRP00841	10	1	STRAP;
SWT01778	11	1	SWITCH; REVERSE FLOW, OPEN AT 140F,CLOSE AT 125, 1/2 IN.

MODEL NUMBER DESCRIPTION		75008227	REV A
FURNACES			
T U D 1 A 0 8 0 A 9 3 6 1 A A 1 2 3 4 5 6 7 8 9 10 11 12 13 14 15			
<p>Digit 1 Brand T = Trane A = American Standard C = STANDARD</p> <p>Digit 2 Configuration H = Horizontal U = Upflow or Upflow/Horizontal D = Downflow or Downflow/Horizontal M = Multiphase 4-Way</p> <p>Digit 3 Product Family B = 80% Induced Draft Standard "Tradenames" E = 80% Induced Draft Standard D = 80% Induced Draft Premium C = 90% Condensing 1 Pipe X = 90% Direct Vent 1 or 2 Pipe</p> <p>Digit 4 Heating Stages 1 = Single Stage 2 = Two Stage 3 = Three Stage V = Modulating</p> <p>Digit 5 Cabinet Width A = 14.5" Cabinet Width B = 17.5" Cabinet Width C = 21.0" Cabinet Width D = 24.5" Cabinet Width</p> <p>Digits 6,7,8 Capacity 080 = Heating Input MBTUH</p>	<p>Digit 9 Major Modification A = Major Design Change</p> <p>Digit 10 Voltage 9 = 115 Volts / Natural Gas F = 115 Volts / Natural Gas with Integrated Electronic Filter</p> <p>Digits 11 & 12 Airflow-Blower Type 36 = 3 Ton Standard PSC Motor H3 = 3 Ton High Efficiency Motor V3 = 3 Ton Variable Speed Motor</p> <p>Digit 13 Draft Inducer Speed 1 = Single Speed 2 = Two speed V = Variable Speed</p> <p>Digit 14 Minor Modification A = Minor Design Change</p> <p>Digit 15 Service Digit A = Service Digit</p>		

Part No.	Reference No.	Quantity	Description
75008227_TDEUP25_109928~P	*		MODEL NOMENCLATURE PARTS LIST

MODEL NUMBER DESCRIPTION		75008227	REV A
FURNACES			
T	U	D	1 A 0
1	2	3	4 5 6
8	0	A	9
3	6	1	A A
7	8	9	10
11	12	13	14
15			
<p>Digit 1 Brand T = Trane A = American Standard C = STANDARD</p> <p>Digit 2 Configuration H = Horizontal U = Upflow or Upflow/Horizontal D = Downflow or Downflow/Horizontal M = Multiphase 4-Way</p> <p>Digit 3 Product Family B = 80% Induced Draft Standard "Tradenames" E = 80% Induced Draft Standard D = 80% Induced Draft Premium C = 90% Condensing 1 Pipe X = 90% Direct Vent 1 or 2 Pipe</p> <p>Digit 4 Heating Stages 1 = Single Stage 2 = Two Stage 3 = Three Stage V = Modulating</p> <p>Digit 5 Cabinet Width A = 14.5" Cabinet Width B = 17.5" Cabinet Width C = 21.0" Cabinet Width D = 24.5" Cabinet Width</p> <p>Digits 6,7,8 Capacity 080 = Heating Input MBTUH</p>		<p>Digit 9 Major Modification A = Major Design Change</p> <p>Digit 10 Voltage 9 = 115 Volts / Natural Gas F = 115 Volts / Natural Gas with Integrated Electronic Filter</p> <p>Digits 11 & 12 Airflow-Blower Type 36 = 3 Ton Standard PSC Motor H3 = 3 Ton High Efficiency Motor V3 = 3 Ton Variable Speed Motor</p> <p>Digit 13 Draft Inducer Speed 1 = Single Speed 2 = Two speed V = Variable Speed</p> <p>Digit 14 Minor Modification A = Minor Design Change</p> <p>Digit 15 Service Digit A = Service Digit</p>	

