

| Part No. | Reference No. | Quantity | Description |
|------------------------|----------------------|-----------------|----------------------------------|
| 75001121#TDEUP25~S | * | | BLOWER ASSEMBLY |
| 75000676#TDEUP25~S | * | | BURNER ASSEMBLY |
| 75004162#TDEUP25~S | * | | GENERAL ASSEMBLY |
| 75000675#TDEUP25~S | * | | INDUCED BLOWER AND FLUE ASSEMBLY |
| 75008227#TDEUP25~S | * | | MODEL NOMENCLATURE |
| TDE25_TDEUP25_109905~P | * | | TDEUP25 PARTS LIST |

NO GRAPHIC AVAILABLE

75013702

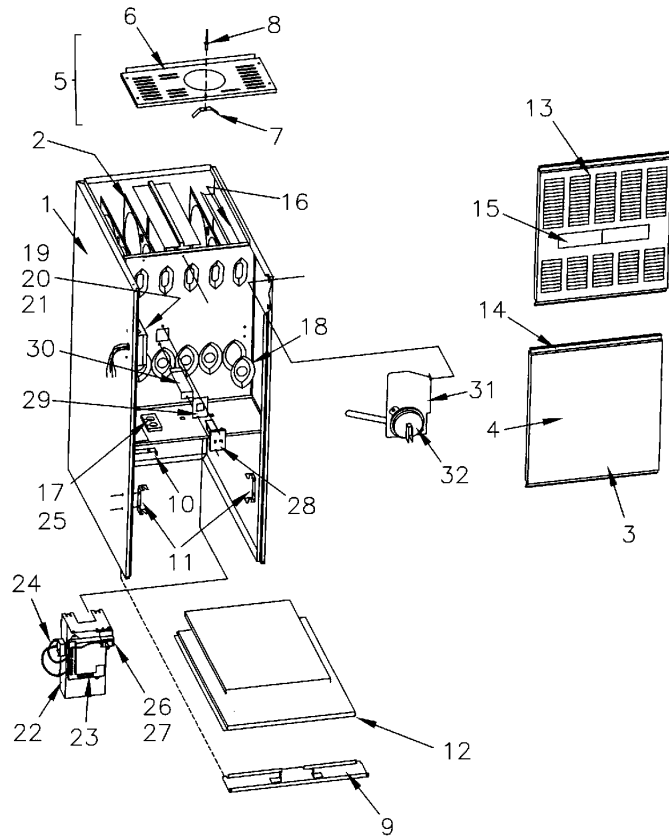
REV
A

**NO
GRAPHIC
AVAILABLE**

General Assembly

75004162

REV
A



*NOT ILLUSTRATED

This is a typical illustration. The unit in the field may not appear exactly as shown.

| Part No. | Reference No. | Quantity | Description |
|---------------------------|---------------|----------|-----------------------------|
| 75004162_TDEUP25_120868~P | * | | GENERAL ASSEMBLY PARTS LIST |

General Assembly

75004162

REV
A



*NOT ILLUSTRATED

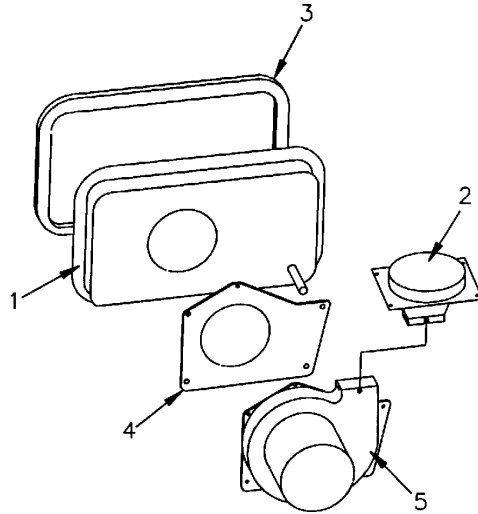
This is a typical illustration. The unit in the field may not appear exactly as shown.

| Part No. | Reference No. | Quantity | Description |
|----------|---------------|----------|--|
| CLP00887 | * | 1 | CLIP; FILTER RETAINER ASSEMBLY. INCLUDES: SPG00309 AND RTR00133 |
| DOR03130 | * | 1 | DOOR; REPLACEMENT BURNER ASSEMBLY W/HANDLE. FOR DOOR ONLY USE DOR03126 |
| GKT01700 | * | 1 | MIN=6/6 GASKET; ADAPTER 0.25 X 0.75 X 3.22 |
| GLS00164 | * | 1 | PLUG; 0.75 MTG HOLE SNAP-IN |
| HDL00832 | * | 1 | HANDLE; DOOR HANDLE |
| PIP00343 | * | 1 | PIPE; COMPOUND |
| TUB08301 | * | 1 | TUBE; PRESSURE SWITCH, STAINLESS STEEL, .025 O.D. .035 WALL THK. |
| CBT01400 | 1 | 1 | CABINET; REPLACEMENT WRAPPER ASSEMBLY |
| EXC00991 | 2 | 1 | EXCHANGER; HEAT |
| DOR00939 | 3 | 1 | DOOR; FURNACE DOOR ASSEMBLY, INCLUDES GLS0164 AND CLP00883. PAINT: POLYSLATE GRAY, DOOR ONLY IS DOR00657 |
| DOR00657 | 4 | 1 | DOOR; FURNACE DOOR ONLY, WITH SIGHT GLASS HOLE. |
| COV03066 | 5 | 1 | COVER; REPLACEMENT TOP COVER ASSEMBLY |
| COV03164 | 6 | 1 | COVER; PANEL, TOP ONLY |
| SPG00309 | 7 | 1 | SPRING; DOOR RETAINER, INCLUDED IN COVER ASSEMBLY |
| RIV00071 | 8 | 1 | RIVET; POP. QTY 100 PER BOX COMPLETE COVER ASSEMBLY WILL INCLUDE THIS |
| CNL00954 | 9 | 1 | CHANNEL; BOTTOM |
| RTR00133 | 10 | 1 | RETAINER, FILTER |
| CLP00365 | 11 | 1 | CLIP; FILTER |
| DOR03126 | 13 | 1 | DOOR; BURNER ONLY WITH HANDLE CUTOUT, LOUVERED, COLOR: POLYSLATE GRAY. 19.96 X 13.63, FOR ASSEMBLY USE DOR03130 |
| CLP00883 | 14 | 1 | CLIP; ACCESS PANEL |
| PLT04236 | 15 | 1 | PLATE; AMERICAN STANDARD APPEARANCE NAMEPLATE, 6.50 X 1.11 |
| BAF00856 | 16 | 2 | BAFFLE; |
| IRT00020 | 18 | 2 | INSERT; BURNER |
| BOX01499 | 19 | 1 | BOX; JUNCTION BOX |
| COV03320 | 20 | 1 | COVER; JUNCTION BOX COVER |
| BUS00300 | 21 | 1 | BUSHING; STRAIN RELIEF |
| MNT02206 | 22 | 1 | MOUNT; IFC CONTROL PLATFORM |
| CNT02789 | 23 | 1 | CONTROL: INTEGRATED FURNACE, 1 STAGE |
| TRR01816 | 24 | 1 | TRANSFORMER; |
| GRM00855 | 25 | 1 | GROMMET; 1.75 WIDE X .18 THICK, MOLDED CHLOROPRENE, 80 DUROMETER |
| BRK01989 | 26 | 1 | BRACKET; DOOR SWITCH |
| SWT01714 | 27 | 1 | SWITCH; DOOR SPST, 21 AMP, 125/250VAC |
| SWT01258 | 28 | 1 | SWITCH; THERMAL LIMIT, OPEN AT 170, CLOSE AT 140 DEG. F |
| SWT02293 | 32 | 1 | SWITCH; PRESSURE, 1 POLE, N.O., 1/10 HP, 3 FLA, 18 LRA, 120 VAC, OPEN AT -0.45 TO -0.55 WC, CLOSE AT -0.65 (IS2) |
| HSE00334 | 38 | 1 | HOSE; PRESSURE SWITCH |

Induced Blower and Flue Assembly

75000675

REV
A



This is a typical illustration. The unit in the field may not appear exactly as shown.

Parts List Number :TDE25#TDEUP25

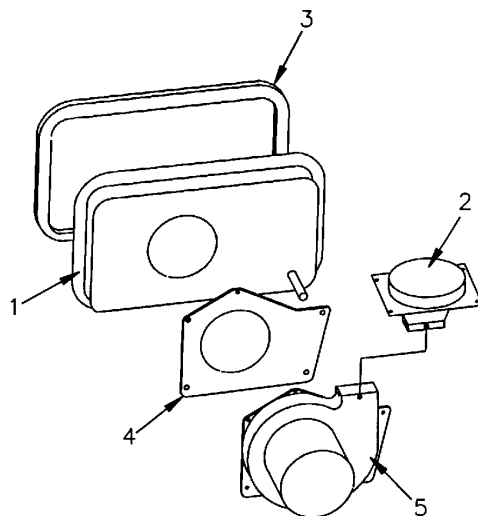
Model Number :AUE1A040A9241AD

| Part No. | Reference No. | Quantity | Description |
|---------------------------|---------------|----------|---|
| 75000675_TDEUP25_120863~P | * | | INDUCED BLOWER AND FLUE ASSEMBLY PARTS LIST |

Induced Blower and Flue Assembly

75000675

REV
A



This is a typical illustration. The unit in the field may not appear exactly as shown.

Parts List Number :TDE25#TDEUP25

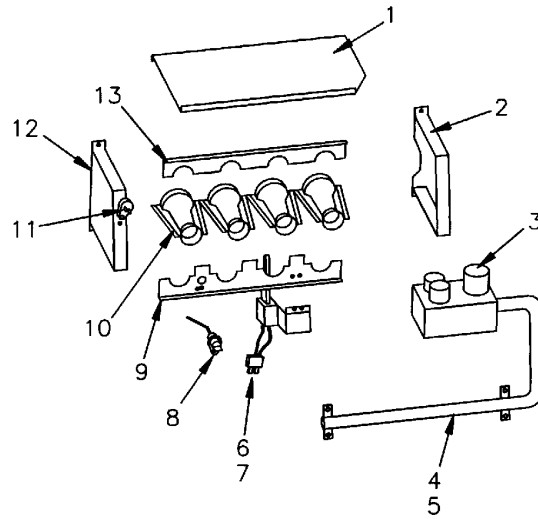
Model Number :AUE1A040A9241AD

| Part No. | Reference No. | Quantity | Description |
|-----------------|----------------------|-----------------|-----------------------------------|
| FLU00140 | 1 | 1 | FLUE; COLLECTOR ASSEMBLY |
| ADP00294 | 2 | 1 | ADAPTER; FLUE TRANSITION ASSEMBLY |
| GKT02603 | 3 | 1 | GASKET;COLLECTOR BOX |
| GKT03081 | 4 | 1 | GASKET; VENTER ASSEMBLY |
| BLW00885 | 5 | 1 | BLOWER; INDUCED, 1 STAGE |

Burner Assembly

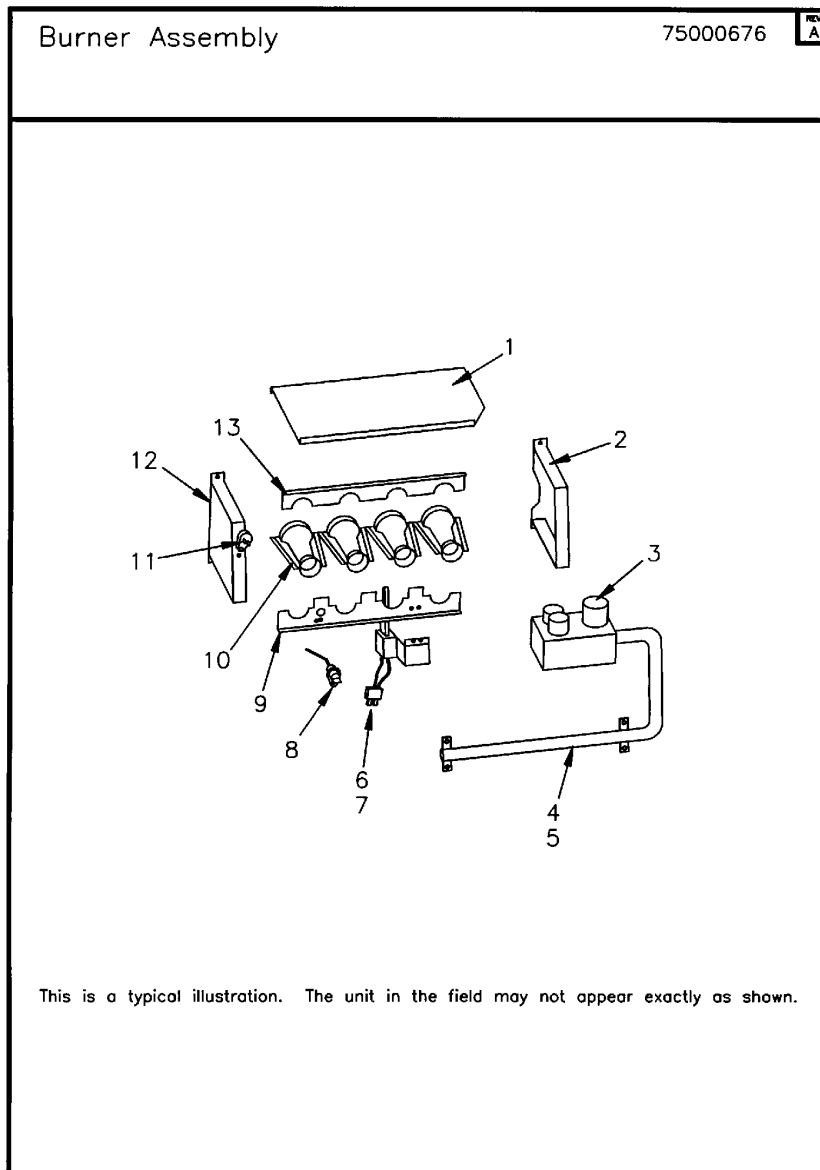
75000676

REV
A



This is a typical illustration. The unit in the field may not appear exactly as shown.

| Part No. | Reference No. | Quantity | Description |
|---------------------------|---------------|----------|----------------------------|
| 75000676_TDEUP25_120864~P | * | | BURNER ASSEMBLY PARTS LIST |



| Part No. | Reference No. | Quantity | Description |
|----------|---------------|----------|---|
| COV03389 | 1 | 1 | COVER; BURNER, 9.10 LG |
| SUP02127 | 2 | 1 | SUPPORT; BURNER-RIGHT HAND |
| VAL09029 | 3 | 1 | VALVE; GAS, SLOW OPENING 1/2-14 NPT, 24V, 50/60 HZ, "J" SERIES |
| ORF00644 | 4 | 2 | ORIFICE;SPUD, #45 DRILL |
| MFD00524 | 5 | 1 | MANIFOLD; PIPE ASSEMBLY, 2 BURNER |
| BRK03336 | 6 | 1 | BRACKET; SiNi IGNITOR BRACKET |
| IGN00152 | 7 | 1 | MIN=12/12 IGNITER; SILICON-NITRIDE, 120V, INCLUDES BRACKET AND SCREWS |
| SEN01114 | 8 | 1 | SENSOR; FLAME, NIKROTHAL 80 MATERIAL |
| BRK01526 | 9 | 1 | BRACKET; BURNER |
| BNR01074 | 10 | 2 | BURNER; ALUMINUM STL, .50 INSERT DIA, TOG-L-LOC |
| SWT02173 | 11 | 2 | SWITCH; SWITCH-FLAME ROLLOUT |
| SUP02126 | 12 | 1 | SUPPORT; BURNER-LEFT HAND |
| BRK01959 | 13 | 1 | BRACKET; TOP |

Blower Assembly

75001121

REV
B



This is a typical illustration. The unit in the field may not appear exactly as shown.

| Part No. | Reference No. | Quantity | Description |
|---------------------------|---------------|----------|----------------------------|
| 75001121_TDEUP25_197315~P | * | | BLOWER ASSEMBLY PARTS LIST |

Blower Assembly

75001121

REV
B



This is a typical illustration. The unit in the field may not appear exactly as shown.

| Part No. | Reference No. | Quantity | Description |
|----------|---------------|----------|---|
| BLW00547 | 1 | 1 | BLOWER; COMPLETE ASM. |
| HUS01621 | 2 | 1 | HOUSING;BLOWER |
| MOT07614 | 3 | 1 | MOTOR; 1/5 HP, 115/60/1, 1080RPM,48FRM,TYPE PSC, SLEEVE BEARING, 7.5 MFD AT 370V, CCW, W/RESILIENT RING |
| WHL00740 | 4 | 1 | WHEEL; FAN, STEEL, 10.62 DIA X 6 WIDTH, 1/2 IN BORE, CW, CONVEX |
| RNG00957 | 5 | 2 | RING; RESILIENT, 2.5 OD |
| BRK00690 | 6 | 1 | BRACKET; ASSEMBLY, SHORT, 4.06 X 2.31, INCLUDES RING CUP |
| BRK00691 | 7 | 1 | BRACKET; ASSEMBLY, LONG, 5.00 X 2.39, INCLUDES RING CUP |
| SUP03399 | 8 | 3 | SUPPORT; HANGER |
| CPT00477 | 9 | 1 | CAPACITOR; RUN, 7.5 MFD, 370VAC, OVAL, W/O RESISTOR |
| SRP00841 | 10 | 1 | STRAP; |
| SWT01777 | 11 | 1 | SWITCH; REVERSE FLOW OPEN AT 130F, CLOSE AT 115F 1/2 IN. |

| MODEL NUMBER DESCRIPTION | | 75008227 | REV A |
|---|---|----------|----------|
| FURNACES | | | |
| T U D 1 A 0 8 0 A 9 3 6 1 A A 1 2 3 4 5 6 7 8 9 10 11 12 13 14 15 | | | |
| <p>Digit 1 Brand T = Trane A = American Standard C = STANDARD</p> <p>Digit 2 Configuration H = Horizontal U = Upflow or Upflow/Horizontal D = Downflow or Downflow/Horizontal M = Multiphase 4-Way</p> <p>Digit 3 Product Family B = 80% Induced Draft Standard "Tradenames" E = 80% Induced Draft Standard D = 80% Induced Draft Premium C = 90% Condensing 1 Pipe X = 90% Direct Vent 1 or 2 Pipe</p> <p>Digit 4 Heating Stages 1 = Single Stage 2 = Two Stage 3 = Three Stage V = Modulating</p> <p>Digit 5 Cabinet Width A = 14.5" Cabinet Width B = 17.5" Cabinet Width C = 21.0" Cabinet Width D = 24.5" Cabinet Width</p> <p>Digits 6,7,8 Capacity 080 = Heating Input MBTUH</p> | <p>Digit 9 Major Modification A = Major Design Change</p> <p>Digit 10 Voltage 9 = 115 Volts / Natural Gas F = 115 Volts / Natural Gas with Integrated Electronic Filter</p> <p>Digits 11 & 12 Airflow-Blower Type 36 = 3 Ton Standard PSC Motor H3 = 3 Ton High Efficiency Motor V3 = 3 Ton Variable Speed Motor</p> <p>Digit 13 Draft Inducer Speed 1 = Single Speed 2 = Two speed V = Variable Speed</p> <p>Digit 14 Minor Modification A = Minor Design Change</p> <p>Digit 15 Service Digit A = Service Digit</p> | | |

| Part No. | Reference No. | Quantity | Description |
|---------------------------|---------------|----------|-------------------------------|
| 75008227_TDEUP25_109928~P | * | | MODEL NOMENCLATURE PARTS LIST |

| MODEL NUMBER DESCRIPTION | | 75008227 | REV A |
|---|---|----------|----------|
| FURNACES | | | |
| T U D 1 A 0 8 0 A 9 3 6 1 A A 1 2 3 4 5 6 7 8 9 10 11 12 13 14 15 | | | |
| <p>Digit 1 Brand T = Trane A = American Standard C = STANDARD</p> <p>Digit 2 Configuration H = Horizontal U = Upflow or Upflow/Horizontal D = Downflow or Downflow/Horizontal M = Multiphase 4-Way</p> <p>Digit 3 Product Family B = 80% Induced Draft Standard "Tradenames" E = 80% Induced Draft Standard D = 80% Induced Draft Premium C = 90% Condensing 1 Pipe X = 90% Direct Vent 1 or 2 Pipe</p> <p>Digit 4 Heating Stages 1 = Single Stage 2 = Two Stage 3 = Three Stage V = Modulating</p> <p>Digit 5 Cabinet Width A = 14.5" Cabinet Width B = 17.5" Cabinet Width C = 21.0" Cabinet Width D = 24.5" Cabinet Width</p> <p>Digits 6,7,8 Capacity 080 = Heating Input MBTUH</p> | <p>Digit 9 Major Modification A = Major Design Change</p> <p>Digit 10 Voltage 9 = 115 Volts / Natural Gas F = 115 Volts / Natural Gas with Integrated Electronic Filter</p> <p>Digits 11 & 12 Airflow-Blower Type 36 = 3 Ton Standard PSC Motor H3 = 3 Ton High Efficiency Motor V3 = 3 Ton Variable Speed Motor</p> <p>Digit 13 Draft Inducer Speed 1 = Single Speed 2 = Two speed V = Variable Speed</p> <p>Digit 14 Minor Modification A = Minor Design Change</p> <p>Digit 15 Service Digit A = Service Digit</p> | | |

